

VESTA 2 TL

TRIMLESS (DRYWALL)



Vesta 2 TL - Trimless recessed linear LED system. The Vesta 2 TL is a trimless recessed linear LED system for drywall ceilings. Part of the Vesta collection, this fixture is designed for applications where the light is meant to be fully integrated in its environment. Powerful LED (up to 1220lm/ft.) combined with a seamless, high-performance lens provide optimal lighting. Easy to install, the Vesta 2 TL fixture features integrated driver and uses brackets to secure it to the ceiling or wall surface. Single sections come in lengths of up to 12 feet, and continuous runs are available in any length.

Ordering Code



Product Specifications

SAMPLE: 358 - 90 - 8 - 35 - 25 - 06 - STD - 277 - DB - 01

1 - Model	2 - CRI	3 - Length	4 - CCT	5 - Lens	6 - Lumen	
358 · Vesta 2 Recessed	90 · 90+	2 · 24" 4 · 46.5" 6 · 69" 8 · 91.5" 10 · 114" 12 · 136.5" A-T · More Lengths ^{*1} XX · System ^{*2}	27 · 2700K 30 · 3000K 35 · 3500K 40 · 4000K	25 · Frosted Symmetric 35 · Asymmetric ^{*3}	04 · 400 lm/ft (3.8 W) 06 · 566 lm/ft (5.7 W) 08 · 843 lm/ft (9.4 W) 10 · 1034 lm/ft (12 W) 12 · 1220 lm/ft (15 W) 00 · None	
7 - Driver	Dim Level		Dim Level	8 - Voltage	9 ⁹ - Mounting	10 - LED Control
STD/LCS · 0 - 10 Volt dim option incl.	1%	LUT5S · 5 Series Eco System	5%	120 · 120V 277 · 277V 347 · 347V ^{*9}	DB · Drywall Bracket AC · Aircraft Cable	01 · Standard 20 · Emergency wiring 21 · Emergency Battery Back-Up (4 foot section)
ELDOLC · EldoLED 0 - 10 Volt	0.1%	DMX · Senso				
DALI · Dali Protocol	0.1%	ODHS · Occupancy & Daylight Harvesting Sensor ^{*5/R/7}				
LUTES · Hilume Ecodigital	1%	CSMB · Casambi Wireless Control				
LUT2W · 2 Wire for phase ^{*4}	1%					

*1 See page four for more detailed lengths

*2 See page two for more details

*3 Asymmetric Direct Lumen limited to **04/06/08** (wattages doubled)

*4 120V only

*5 Adds 3.75" to fixture length

*6 See Vesta Sensor spec sheet for additional information

*7 1 Sensor per 16"

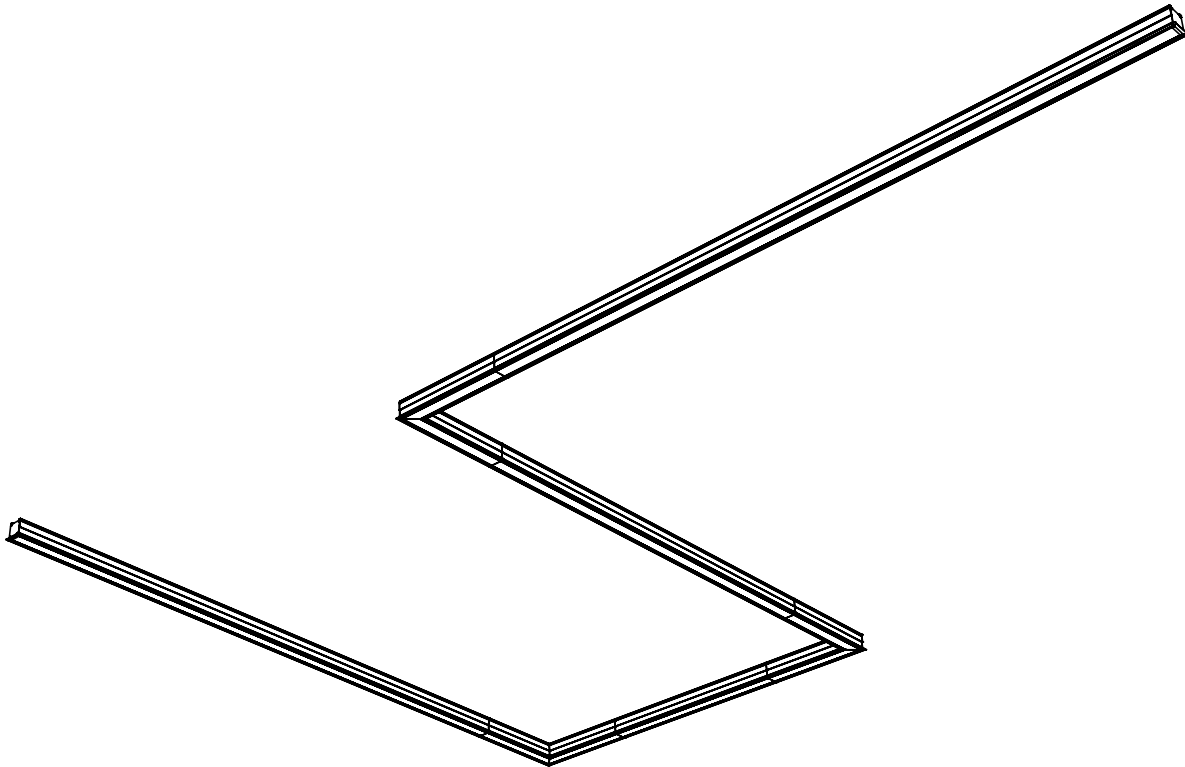
*8 Not available in Eldo, Lutron and DMX

*9 See page three for more details

Project : _____
 Quantity : _____
 Type : _____
 Notes : _____

Continuous Layout Using Corners Only

The Vesta 2 system is not limited to straight runs. Available L nodes, used in association with linear sections, provide freedom to create seamless configurations. Linear sections are available in 22.5inch increment.



How To Specify

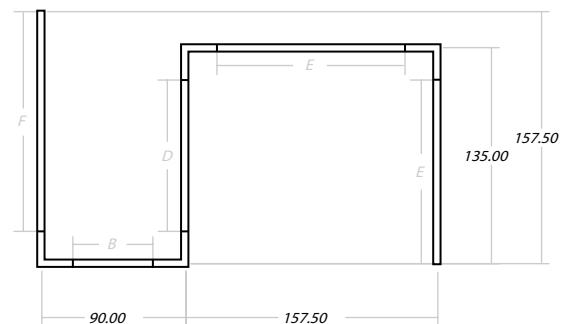
1. Draw your layout, as seen from bottom, considering:
 - Drawings are made using center axis as reference
 - Minimum 45inch between contiguous corners
 - 22.5inch increment
2. Provide the following information
 - Total number of corners
 - Total length
 - Drawing

Using example:

corners = 3

Total length = $157.5 + 90 + 135 + 157.5 = 540$ inch

Example Of Layout



Advanced Intersecting System Using T & X Nodes

For advanced configurations, contact the Senso factory to complete your system.



VESTA 2 TL

TRIMLESS (DRYWALL)

Light Engine

High Efficacy :	Up to 170 lumen/Watt
Color Options (CCT) :	2700K, 3000K, 3500K, 4000K, and Color Tuning
Color Consistency :	3-step MacAdam Ellipse
Color rendering (CRI) :	90+

Vesta 2 TL features a high-output, high-efficacy light engine—without any compromise. Class-leading efficiency at over 100lm/W keeps running costs low, while 50,000-hour (LM-80) lumen maintenance guarantees a sustainable design. Color rendering options are available up to 90+ CRI, along with color consistency within a three-step MacAdam ellipse. Every Vesta undergoes a multi-step test and burn-in procedure before shipping, ensuring the superior level of quality Senso is known for.

Dimming Option

Protocol :	0-10V DALI LUTRON
-------------------	-------------------------

Level : From 0.1% to 10%

The Vesta combines high output with limitless possibilities of control. Dimming down to 0.1% is also available in Lutron (120-277V) and Dali systems (120-277V).

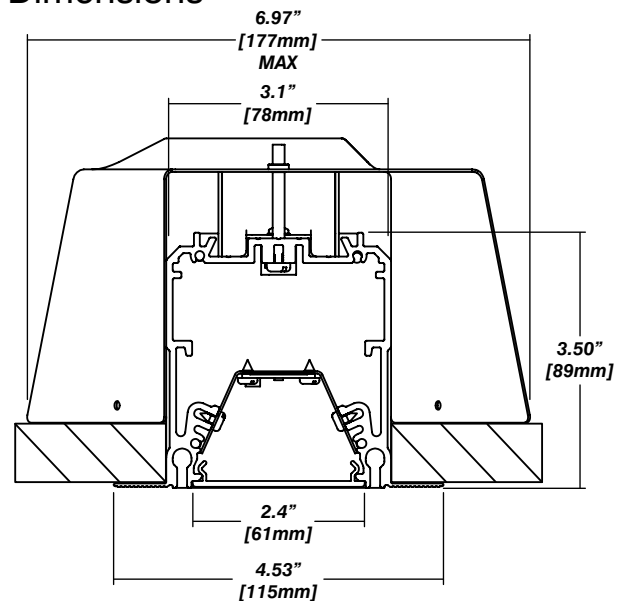
Installation

The standard length are meant to provide optimal lighting of the illuminating surface, without dark or hot spots. These are defined by the LED board we use. Fixtures can also be provided at specific length if required. End plates will be used to complete the section to the exact length to avoid dark spots. Two option available for mounting (drywall and aircraft cable).

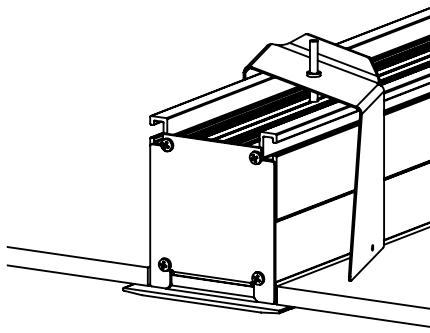
Construction

- Powder coated in white, black or silver
- Custom finish are available
- Housing: Aluminum extrusion
- Made in Canada

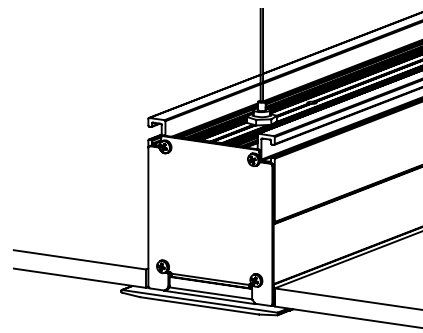
Dimensions



Mounting Option



U Bracket



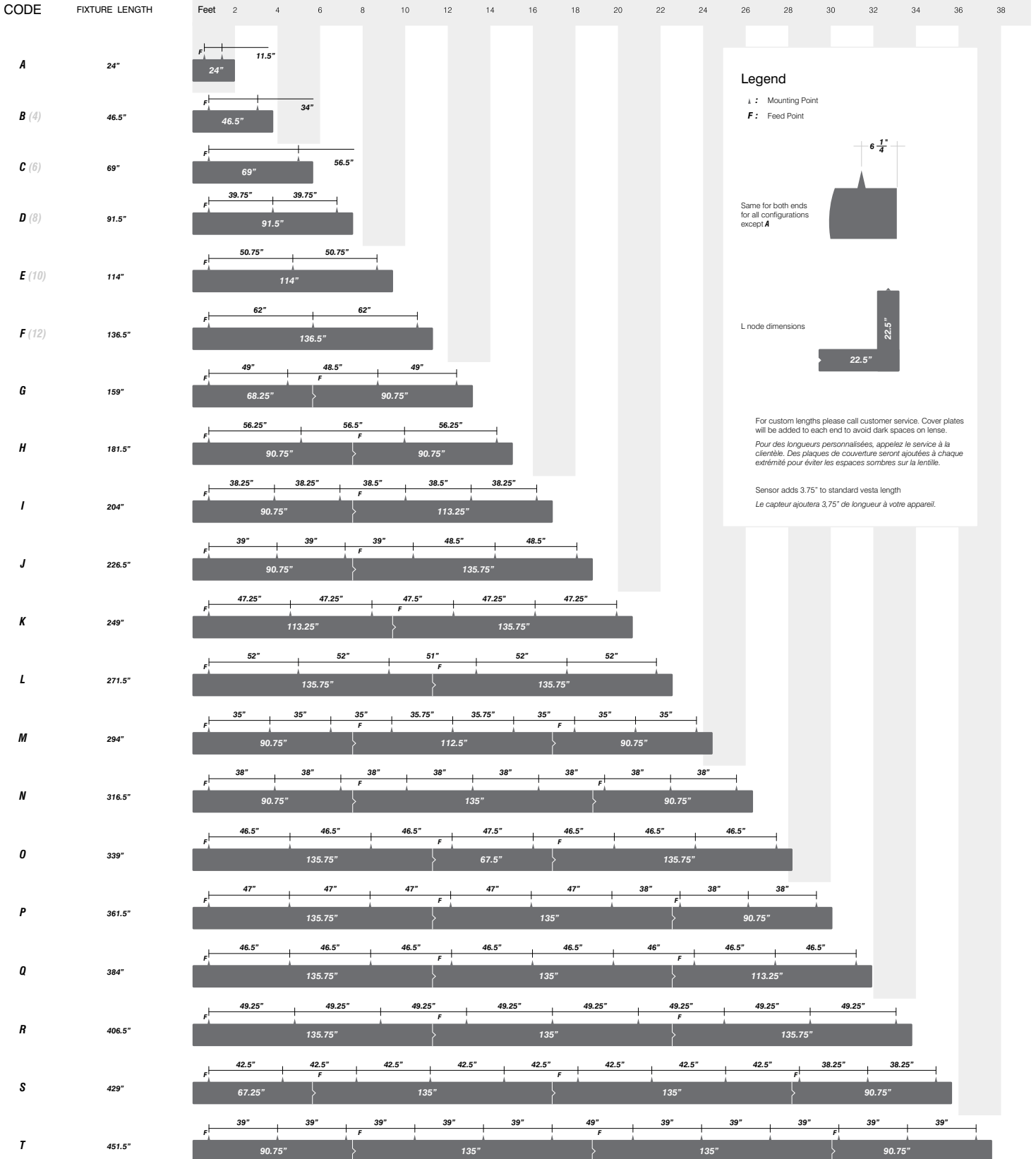
Aircraft Cable

VESTA 2 TL

TRIMLESS (DRYWALL)



Vesta Cut Lengths



VESTA 2 TL

TRIMLESS (DRYWALL)



Photometrics

Senso's in-house photometric testing ensures that our lighting design can match your needs precisely. Our Goniophotometer and testing lab produces on-demand photometry files based on any specified fixture, including LM-79 Test reports, IES Files, and CRI/CCT measurements. See Sensolighting.com for more information.

*Full photometric Reports and IES files available for every configuration

Zonal Lumen Summary

Zone	Lumens	%Fixt
0-20	528.37	15.50
0-30	1085.53	31.90
0-40	1709.34	50.30
0-60	2806.23	82.60
0-80	3352.15	98.60
0-90	3398.12	100.00
10-90	3258.52	95.90
20-40	1180.97	34.70
20-50	1777.92	52.30
40-70	1453.16	42.80
60-80	545.92	16.10
70-80	189.65	5.60
80-90	45.97	1.40
90-110	0.56	0.00
90-120	0.57	0.00
90-130	0.57	0.00
90-150	0.57	0.00
90-180	0.57	0.00
110-180	0.01	0.00
0-180	3398.69	100.00

IES Indoor Report Coefficients of utilization - zonal cavity method

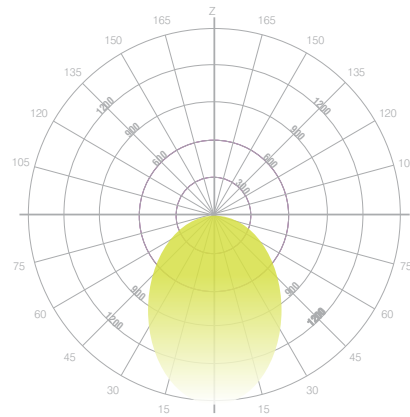
Effective Floor Cavity Reflectance 0.20

RC	80				70				50				30				10				0
RW	70	50	30	10	70	50	30	10	50	30	10	50	30	10	50	30	10	50	30	10	0
0	119	119	119	119	116	116	116	116	111	111	111	106	106	106	102	102	102	100	100	100	100
1	109	105	101	97	107	103	99	96	99	96	93	95	92	90	91	89	87	85	85	85	85
2	100	92	86	80	98	90	85	80	87	82	78	84	80	76	81	77	74	72	72	72	72
3	92	82	74	68	89	80	73	67	77	71	66	74	69	65	72	68	64	62	62	62	62
4	84	73	64	58	82	72	64	58	69	62	57	67	61	56	65	60	55	53	53	53	53
5	78	66	57	51	76	64	56	50	62	55	50	60	54	49	59	53	49	47	47	47	47
6	72	59	51	44	70	58	50	44	57	49	44	55	48	44	53	48	43	41	41	41	41
7	67	54	46	40	65	53	45	39	52	44	39	50	44	39	49	43	39	37	37	37	37
8	63	49	41	36	61	49	41	35	47	40	35	46	40	35	45	39	35	33	33	33	33
9	59	46	38	32	57	45	37	32	44	37	32	43	36	32	42	36	32	30	30	30	30
10	55	42	34	29	54	42	34	29	41	34	29	40	33	29	39	33	29	27	27	27	27

Luminance DATA (cd/sq.m)

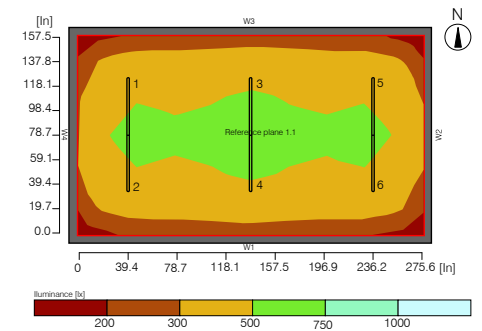
Angle in °	Average 0°	Average 45°	Average 90°
45	1633	17494	18653
55	14387	15594	16807
65	12589	13662	14754
75	10484	11188	11811
85	7096	6899	6301

Vesta Light Distribution



- Fixture: Vesta 48" [121.92 cm]
- Total Lumen Output: 3399 lm
- Wattage: 45 W
- Lumen per Watt: 75

Vesta Performance Example



- Calculation algorithm used Average indirect fraction
- Height of luminaire plane 118.11" [3.00 m]
- Maintenance factor 31.5" [0.80 m]
- Total luminous flux of all lamps 20358 lm
- Total power 270.0 W
- Total power per area (28.00 m²) 9.64 W/m² (2.26 W/m²/100lx)

Color Metrics TM 30-15

Our clients deserve the best information possible about their lighting choices. That's why Senso has invested in the Illuminating Engineering Society (IES) TM 30-15, a new system that measures an LED light source's color rendering properties. Using Senso's state-of-the-art goniophotometer, this method identifies the optimal light source for your project and helps evaluate the trade-offs between efficacy and color rendering. Senso can provide TM 30-15 data for all of our products.

*Full Color Metric Info Available at Sensolighting.com