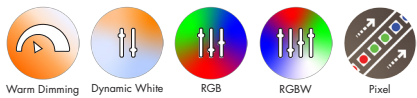
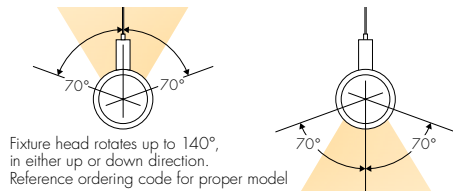


Features

- Extruded aluminum linear suspension system
- 24VDC Class 2 fixtures made to order up to 232"
- Class 2 listed for damp locations
- Dot free even illumination with frosted lens
- Proprietary strong bond solder method handles up to 50 lbs of pull force on wire leads and connectors
- 5 year warranty
- Dynamic White allows individual control of CCT and output
- Warm Dim follows the incandescent dimming curve and is compatible with MLV, ELV, and Incandescent dimmers.
- RGB options offer balanced output across the color gamut and a true white with RGBW
- Smart Pixel offerings allow for infinite color combinations with cascading and chasing effects



Finish Options (see page 2 for additional information)

- Silver Anodized
- White
- Aged Brass
- Black
- Matte Black
- Polished Gold
- Bronze
- Warm Nickel
- Chrome



Technical Information

TYPE	Warm Dim	Dynamic White		RGBW	RGB	Pixel	
OUTPUT OPTIONS	WD68SO (19K-27K)	DW68SO (27K-65K)	DW68HO (27K-65K)	RGBW36SO	RGB42SO	RGBWX18SO	RGBX18SO
Lumens Output (all channels full on) (with a Clear Lens)	189 lm/ft	229 lm/ft	276 lm/ft	115 lm/ft	114 lm/ft	139 lm/ft	92 lm/ft
Average Power Consumption (for a 4' section)	5.4 W/ft	4.6 W/ft	5.6 W/ft	4 W/ft	4.5 W/ft	5.7 W/ft	4.5 W/ft
Efficacy	35 lm/W	50 lm/W	49 lm/W	29 lm/W	25 lm/W	24 lm/W	20 lm/W
Max Run Length (in series)	20 ft	32 ft	32 ft	26 ft	28 ft	20 ft	30 ft
Max Ambient Temperature*	50°C [122°F]	50°C [122°F]		50°C [122°F]		50°C [122°F]	
Control/Dimming Protocol	MLV, ELV, Inc.	0-10V, DMX		DMX		SPI Protocol UCS 2904	SPI Protocol UCS 2903

*Max Ambient Temperature to maintain L70 of 50k+ hours. Exceeding Max Ambient Temperature may result in decreased life/output. Consult Technical Support for specific inquiries.

Warm Dim (WD68)					Dynamic White (DW68)					RGBW (3000K)				Dominant Wavelength			
CCT	CRI	TM-30			CCT	CRI	TM-30			Tape	CRI	TM-30		Color	RGB42/RGBW36	RGBX18/RGBWX18	
		R _f	R _g	R ₉			R _f	R _g	R ₉			R _f	R _g				
1900K	96	92	96	94	1900K	97	94	98	95	RGBW36	95	93	106	84	Red	620nm	621nm
2400K	97	96	103	98	2700K	98	96	101	91	RGBWX18	93	91	99	64	Green	525nm	519nm
2700K	96	93	106	95	2900K	98	96	102	94	DW68				Blue	467nm	465nm	
					3500K	97	94	105	97	CCT		Multiplier					
					4100K	95	91	104	79	27K - 65K	1.00						
					4400K	97	91	101	97	19K - 35K	0.78						
					6500K	92	88	97	64								

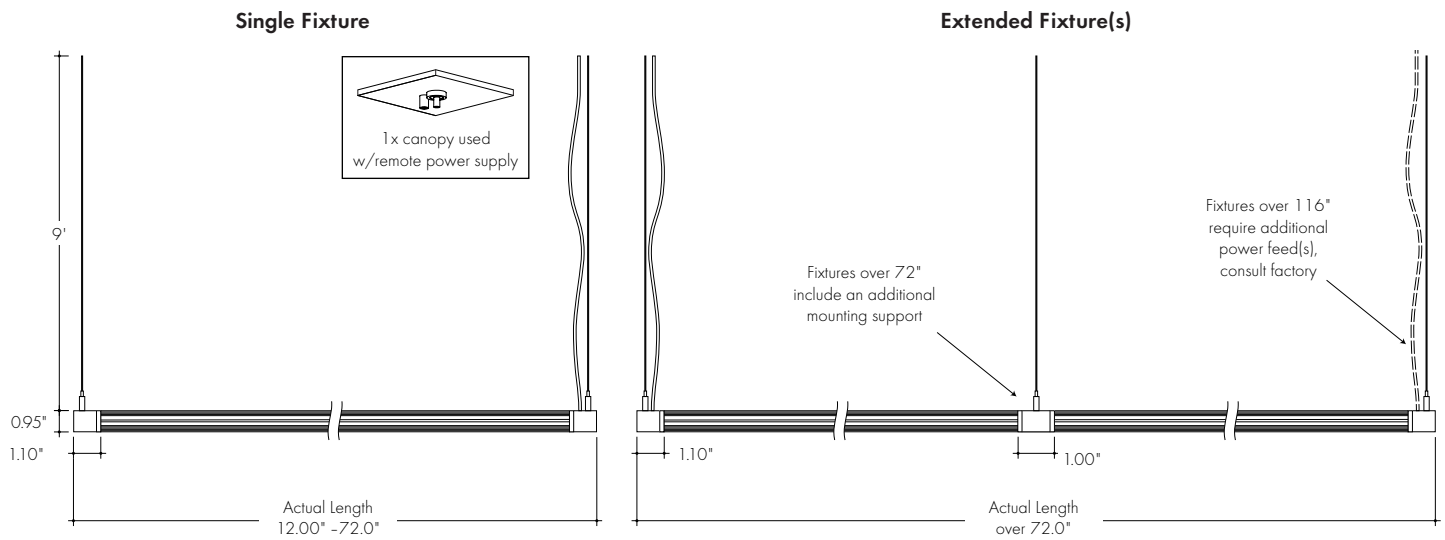
Ordering Code

MODEL	LENGTH ¹	OUTPUT	CCT	LENS ²	LIGHT DIRECTION	FINISH ^{3,4}
TEA-Teava Suspension	12" - 232" 3" increments	WD68SO - Standard	19K27K - 1900K - 2700K	F-Frosted C-Clear	U-Up D-Down	SA-Silver Anodized BK-Black BZ-Bronze WH-White MBK-Matte Black WN-Warm Nickel AB-Aged Brass PG-Polished Gold ⁵ CH-Chrome ⁵
	12" - 232" 3" increments	DW68SO - Standard DW68HO - High	19K35K - 1900K - 3500K 27K65K - 2700K - 6500K			
	12" - 232" 2" increments	RGBW36SO - Standard RGB42SO - Standard	CLR - Color			
	12" - 232" 4" increments	RGBWX18SO - Standard RGBX18SO - Standard	PXSPI - Smart Pixel Control			

1 - Custom lengths and increments are available, please consult Inside Sales with specific request.
2 - Dynamic White options can be used to comply with Title 24 JAB at max brightness depending on lens selection, see multiplier charts to calculate specific efficacy.

3 - Non SA finishes may have extended lead times. Custom RATs are available, please consult Inside Sales with specific request.
4 - White canopy included with all finishes except Black and Matte Black, which includes a Black canopy.
5 - Polished Gold finishes have a maximum fixture length of 96", and Chrome finishes have a maximum fixture length of 144".

Product Dimensions



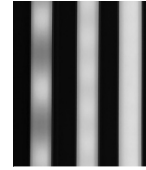
Finish Options

- Finish options are available in a wide variety, allowing for complete customization of style and aesthetic.
- Non Silver Anodized finishes may have extended lead times.
- Polished Gold finishes have a maximum fixture length of 96", and Chrome finishes have a maximum fixture length of 144".
- Custom RALs are available, please consult Inside Sales with specific request.

<p>Silver Anodized</p>	<p>Black</p>	<p>Bronze</p>	<p>White</p>	<p>Matte Black</p>
<p>Silver Anodized is a soft silver with a clear finish.</p>	<p>Black is a true deep black with a glossy finish.</p>	<p>Bronze is a rich, dark brown with a satin finish.</p>	<p>White is a polar bright white and field paintable.</p>	<p>Matte Black is a dark, pitch-black with a soft flat finish.</p>
<p>Warm Nickel</p>	<p>Aged Brass</p>	<p>Polished Gold</p>	<p>Chrome</p>	
<p>Warm Nickel is a soft, silvery smoke with warm tones and a satin finish.</p>	<p>Aged Brass is a deep brown shade with slightly golden undertones.</p>	<p>Polished Gold is bright and radiant for a brilliant finish.</p>	<p>Chrome is a highly reflective silver polish.</p>	

Light Transmission and Dotting

Output Options	Lens/Accessory	
	Clear	Frosted
WD68SO - 27K	CD	ND
WD68SO - 19K	CD	ND
DW68SO (All On)	CD	ND
DW68SO (1-Channel)	CD	ND
DW68HO (All On)	CD	ND
DW68HO (1-Channel)	CD	ND
RGBW36SO	CD	ND
RGB42SO	CD	ND
RGBWX18SO	CD	SD
RGBX18SO	CD	SD
Transmission Percentage	100%	69%



CD SD ND
CD - Clear Dotting
SD - Slight Dotting
ND - No Dotting

Power Consumption

Tested at Full Power with PDC Series power supplies.

Standard Nominal Lengths offered provide minimal shadowing. For alternate lengths, please consult Inside Sales with specific request.

Warm Dim (WD68)

Nominal Length (in)	Actual Length	Watts	Nominal Length (in)	Actual Length	Watts	Nominal Length (in)	Actual Length	Watts	Nominal Length (in)	Actual Length	Watts
		SO			SO			SO			SO
12	10 9/16	3.4	47	–	–	82	81 15/16	33.9	117	116 6/16	46.6
13	–	–	48	47 7/16	20.0	83	–	–	118	–	–
14	13	4.6	49	–	–	84	–	–	119	118 13/16	47.5
15	–	–	50	49 15/16	21.0	85	84 6/16	34.8	120	–	–
16	15 8/16	5.8	51	–	–	86	–	–	121	–	–
17	–	–	52	–	–	87	86 13/16	35.7	122	121 5/16	48.3
18	17 15/16	6.9	53	52 6/16	22.0	88	–	–	123	–	–
19	–	–	54	–	–	89	–	–	124	123 12/16	49.1
20	–	–	55	54 14/16	23.0	90	89 5/16	36.7	125	–	–
21	20 6/16	8.0	56	–	–	91	–	–	126	–	–
22	–	–	57	–	–	92	91 12/16	37.6	127	126 3/16	49.9
23	22 14/16	9.1	58	57 5/16	24.1	93	–	–	128	–	–
24	–	–	59	–	–	94	–	–	129	128 11/16	50.6
25	–	–	60	59 12/16	25.1	95	94 4/16	38.6	130	–	–
26	25 5/16	10.2	61	–	–	96	–	–	131	–	–
27	–	–	62	–	–	97	96 11/16	39.6	132	131 2/16	51.5
28	27 13/16	11.3	63	62 4/16	26.1	98	–	–	133	–	–
29	–	–	64	–	–	99	–	–	134	133 9/16	52.5
30	–	–	65	64 11/16	27.1	100	99 2/16	40.5	135	–	–
31	30 4/16	12.3	66	–	–	101	–	–	136	–	–
32	–	–	67	–	–	102	101 10/16	41.4	137	136 1/16	53.3
33	32 11/16	13.4	68	67 2/16	28.0	103	–	–	138	–	–
34	–	–	69	–	–	104	–	–	139	138 8/16	54.2
35	–	–	70	69 10/16	29.0	105	104 1/16	42.2	140	–	–
36	35 3/16	14.5	71	–	–	106	–	–	141	141	54.8
37	–	–	72	–	–	107	106 8/16	43.0	142	–	–
38	37 10/16	15.6	73	72 1/16	30.0	108	–	–	143	–	–
39	–	–	74	–	–	109	109	43.9	144	143 7/16	55.4
40	–	–	75	74 9/16	30.9	110	–	–			
41	40 1/16	16.7	76	–	–	111	–	–			
42	–	–	77	77	32.0	112	111 7/16	44.8			
43	42 9/16	17.8	78	–	–	113	–	–			
44	–	–	79	–	–	114	113 14/16	45.8			
45	–	–	80	79 7/16	33.1	115	–	–			
46	45	18.9	81	–	–	116	–	–			

Power Consumption

Tested at Full Power with PDC Series power supplies.

Standard Nominal Lengths offered provide minimal shadowing. For alternate lengths, please consult Inside Sales with specific request.

Dynamic White (DW68)

Nominal Length (in)	Actual Length	Watts		Nominal Length (in)	Actual Length	Watts		Nominal Length (in)	Actual Length	Watts	
		SO	HO			SO	HO			SO	HO
12	10 9/16	4.6	5.9	47	—	—	—	82	81 15/16	29.5	36.4
13	—	—	—	48	47 7/16	17.2	21.7	83	—	—	—
14	13	4.6	5.9	49	—	—	—	84	—	—	—
15	—	—	—	50	49 15/16	18.3	23.1	85	84 6/16	29.9	37.3
16	15 8/16	4.6	5.9	51	—	—	—	86	—	—	—
17	—	—	—	52	—	—	—	87	86 13/16	30.5	38.5
18	17 15/16	5.9	7.4	53	52 6/16	19.0	24.0	88	—	—	—
19	—	—	—	54	—	—	—	89	—	—	—
20	—	—	—	55	54 14/16	20.0	25.4	90	89 5/16	31.4	39.5
21	20 6/16	6.7	8.4	56	—	—	—	91	—	—	—
22	—	—	—	57	—	—	—	92	91 12/16	32.7	40.9
23	22 14/16	7.9	9.8	58	57 5/16	20.7	26.3	93	—	—	—
24	—	—	—	59	—	—	—	94	—	—	—
25	—	—	—	60	59 12/16	21.8	27.7	95	94 4/16	33.6	41.8
26	25 5/16	8.7	10.8	61	—	—	—	96	—	—	—
27	—	—	—	62	—	—	—	97	96 11/16	34.9	43.3
28	27 13/16	9.8	12.3	63	62 4/16	22.5	28.6	98	—	—	—
29	—	—	—	64	—	—	—	99	—	—	—
30	—	—	—	65	64 11/16	23.7	29.8	100	99 2/16	35.8	44.2
31	30 4/16	10.6	13.3	66	—	—	—	101	—	—	—
32	—	—	—	67	—	—	—	102	101 10/16	36.4	44.8
33	32 11/16	11.8	14.8	68	67 2/16	24.6	30.6	103	—	—	—
34	—	—	—	69	—	—	—	104	—	—	—
35	—	—	—	70	69 10/16	25.4	31.3	105	104 1/16	37.4	45.7
36	35 3/16	12.6	15.8	71	—	—	—	106	—	—	—
37	—	—	—	72	—	—	—	107	106 8/16	38.0	46.3
38	37 10/16	13.4	16.8	73	72 1/16	26.7	32.4	108	—	—	—
39	—	—	—	74	—	—	—	109	109	39.0	47.2
40	—	—	—	75	74 9/16	27.6	33.1	110	—	—	—
41	40 1/16	14.5	18.3	76	—	—	—	111	—	—	—
42	—	—	—	77	77	28.4	34.3	112	111 7/16	39.7	47.8
43	42 9/16	15.3	19.3	78	—	—	—	113	—	—	—
44	—	—	—	79	—	—	—	114	113 14/16	40.3	48.9
45	—	—	—	80	79 7/16	28.9	35.2	115	—	—	—
46	45	16.4	20.7	81	—	—	—	116	—	—	—

Power Consumption

Tested at Full Power with PSD Series power supplies.

Standard Nominal Lengths offered provide minimal shadowing. For alternate lengths, please consult Inside Sales with specific request.

RGB/RGBW (RGB42/RGBW36)

Nominal Length (in)	Actual Length	Watts		Nominal Length (in)	Actual Length	Watts		Nominal Length (in)	Actual Length	Watts	
		RGBW36	RGB42			RGBW36	RGB42			RGBW36	RGB42
		SO	SO			SO	SO			SO	SO
12	11 1/16	4.0	4.4	47	46 8/16	13.8	16.0	82	81 15/16	25.4	28.8
13	-	-	-	48	-	-	-	83	-	-	-
14	13	4.0	4.4	49	48 7/16	14.4	16.8	84	83 14/16	26.1	29.4
15	15	4.0	4.4	50	-	-	-	85	-	-	-
16	-	-	-	51	50 7/16	15.1	17.5	86	85 14/16	26.8	30.0
17	16 15/16	4.5	5.2	52	-	-	-	87	-	-	-
18	-	-	-	53	52 6/16	15.8	18.3	88	87 13/16	27.4	30.7
19	18 15/16	5.1	5.9	54	-	-	-	89	-	-	-
20	-	-	-	55	54 6/16	16.4	18.9	90	89 13/16	28.0	31.4
21	20 14/16	5.6	6.7	56	-	-	-	91	-	-	-
22	-	-	-	57	56 5/16	17.0	19.6	92	91 12/16	28.6	32.2
23	22 14/16	6.2	7.4	58	-	-	-	93	-	-	-
24	-	-	-	59	58 5/16	17.6	20.3	94	93 12/16	29.2	32.9
25	24 13/16	6.7	8.2	60	-	-	-	95	-	-	-
26	-	-	-	61	60 4/16	18.2	21.0	96	95 11/16	29.9	33.6
27	26 13/16	7.3	8.9	62	-	-	-	97	-	-	-
28	-	-	-	63	62 4/16	18.9	21.7	98	97 11/16	30.2	34.0
29	28 12/16	8.0	9.6	64	-	-	-	99	-	-	-
30	-	-	-	65	64 3/16	19.5	22.4	100	99 10/16	30.8	34.7
31	30 12/16	8.6	10.4	66	-	-	-	101	-	-	-
32	-	-	-	67	66 3/16	20.2	23.2	102	101 10/16	31.3	35.4
33	32 11/16	9.3	11.1	68	-	-	-	103	-	-	-
34	-	-	-	69	68 2/16	20.8	24.0	104	103 9/16	31.9	36.0
35	34 11/16	9.7	11.5	70	-	-	-	105	-	-	-
36	-	-	-	71	70 2/16	21.5	24.7	106	105 9/16	32.4	36.7
37	36 10/16	10.3	12.2	72	-	-	-	107	-	-	-
38	-	-	-	73	72 1/16	22.1	25.5	108	107 8/16	32.9	37.3
39	38 10/16	11.0	13.0	74	-	-	-	109	-	-	-
40	-	-	-	75	74 1/16	22.8	26.3	110	109 8/16	33.5	38.0
41	40 9/16	11.7	13.7	76	-	-	-	111	-	-	-
42	-	-	-	77	76	23.5	26.9	112	111 7/16	34.0	38.6
43	42 9/16	12.4	14.5	78	78	24.1	27.6	113	-	-	-
44	-	-	-	79	-	-	-	114	113 7/16	34.8	39.3
45	44 8/16	13.1	15.2	80	79 15/16	24.8	28.2	115	-	-	-
46	-	-	-	81	-	-	-	116	115 6/16	35.6	39.9

Power Consumption

Tested at Full Power with PDC Series power supplies.

Standard Nominal Lengths offered provide minimal shadowing. For alternate lengths, please consult Inside Sales with specific request.

PIXEL

Nominal Length (in)	Actual Length	Watts		Nominal Length (in)	Actual Length	Watts		Nominal Length (in)	Actual Length	Watts	
		RGBX18	RGBWX18			RGBX18	RGBWX18			RGBX18	RGBWX18
		SO	SO			SO	SO			SO	SO
12	11 1/16	4.6	5.7	47	46 8/16	16.0	20.1	82	81 15/16	28.4	35.5
13	-	-	-	48	-	-	-	83	-	-	-
14	-	-	-	49	-	-	-	84	-	-	-
15	15	4.6	5.7	50	-	-	-	85	-	-	-
16	-	-	-	51	50 7/16	17.4	21.9	86	85 14/16	29.8	37.1
17	-	-	-	52	-	-	-	87	-	-	-
18	-	-	-	53	-	-	-	88	-	-	-
19	18 15/16	6.1	7.5	54	-	-	-	89	-	-	-
20	-	-	-	55	54 6/16	18.9	23.7	90	89 13/16	31.1	38.7
21	-	-	-	56	-	-	-	91	-	-	-
22	-	-	-	57	-	-	-	92	-	-	-
23	22 14/16	7.6	9.4	58	-	-	-	93	-	-	-
24	-	-	-	59	58 5/16	20.3	25.4	94	93 12/16	32.4	40.3
25	-	-	-	60	-	-	-	95	-	-	-
26	-	-	-	61	-	-	-	96	-	-	-
27	26 13/16	9.1	11.3	62	-	-	-	97	-	-	-
28	-	-	-	63	62 4/16	21.7	27.1	98	97 11/16	33.4	41.6
29	-	-	-	64	-	-	-	99	-	-	-
30	-	-	-	65	-	-	-	100	-	-	-
31	30 12/16	10.6	13.2	66	-	-	-	101	-	-	-
32	-	-	-	67	66 3/16	23.0	28.8	102	101 10/16	34.6	43.2
33	-	-	-	68	-	-	-	103	-	-	-
34	-	-	-	69	-	-	-	104	-	-	-
35	34 11/16	11.7	14.6	70	-	-	-	105	-	-	-
36	-	-	-	71	70 2/16	24.4	30.5	106	105 9/16	35.9	44.8
37	-	-	-	72	-	-	-	107	-	-	-
38	-	-	-	73	-	-	-	108	-	-	-
39	38 10/16	13.1	16.5	74	-	-	-	109	-	-	-
40	-	-	-	75	74 1/16	25.8	32.3	110	109 8/16	37.2	46.4
41	-	-	-	76	-	-	-	111	-	-	-
42	-	-	-	77	-	-	-	112	-	-	-
43	42 9/16	14.6	18.3	78	78	27.1	33.9	113	-	-	-
44	-	-	-	79	-	-	-	114	113 7/16	38.4	48.0
45	-	-	-	80	-	-	-	115	-	-	-
46	-	-	-	81	-	-	-	116	-	-	-

Voltage Drop Calculator

The below chart assumes nominal voltage of 24 Volts and a Voltage Drop Allowance of 3% through the wire

Wattage [W]	Wire Length From Power Supply to Start of Run [ft]						
	12 AWG	14 AWG	16 AWG	18 AWG	20 AWG	22 AWG	24 AWG
5	1088.2	684.4	430.3	270.6	170.2	107.1	67.3
10	544.1	342.2	215.1	135.3	85.1	53.5	33.7
15	362.7	228.1	143.4	90.2	56.7	35.7	22.4
20	272.0	171.1	107.6	67.7	42.6	26.8	16.8
25	217.6	136.9	86.1	54.1	34.0	21.4	13.5
30	181.4	114.1	71.7	45.1	28.4	17.8	11.2
35	155.5	97.8	61.5	38.7	24.3	15.3	9.6
40	136.0	85.5	53.8	33.8	21.3	13.4	8.4
45	120.9	76.0	47.8	30.1	18.9	11.9	7.5
50	108.8	68.4	43.0	27.1	17.0	10.7	6.7
55	98.9	62.2	39.1	24.6	15.5	9.7	6.1
60	90.7	57.0	35.9	22.6	14.2	8.9	5.6
65	83.7	52.6	33.1	20.8	13.1	8.2	5.2
70	77.7	48.9	30.7	19.3	12.2	7.6	4.8
75	72.5	45.6	28.7	18.0	11.3	7.1	4.5
80	68.0	42.8	26.9	16.9	10.6	6.7	4.2
85	64.0	40.3	25.3	15.9	10.0	6.3	4.0
90	60.5	38.0	23.9	15.0	9.5	5.9	3.7
96	56.7	35.6	22.4	14.1	8.9	5.6	3.5

Power Supplies

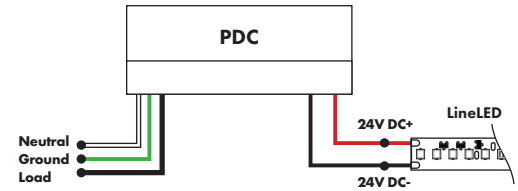
See fixture and power supply instructions & spec sheet for wiring information. Dimming possible in select models - view Luminii website for list of compatible dimmers.

For use with Warm Dim, WD68

Triac, MLV, & ELV Compatible Dimmers

MODEL	POWER	OUTPUT
PDC - (IP20) Power Supply	96 - 96 Watts	24 - 24 VDC

MODELS	96W
Length	8.25"
Width	4.10"
Depth	1.56"

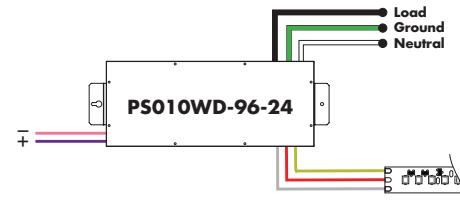


For use with Dynamic White, DW68

0-10V Warm Dimming 0% Power Supply 120VAC - 277VAC (for warm dimming of Dynamic White option)

MODEL	POWER	OUTPUT
PS010WD - 0-10 Warm dim LED Power Supply	96 - 96 Watt	24 - 24 VDC

Requires a 0-10V controller to work properly

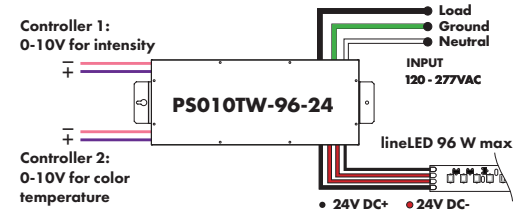


0-10V Tunable White 0% Dimming Power Supply 120VAC - 277VAC (for tunable white control of Dynamic White option)

MODEL	POWER	OUTPUT
PS010TW - 0-10 Tunable White LED Driver	96 - 96 Watt	24 - 24 VDC

Requires two 0-10V controllers to work properly

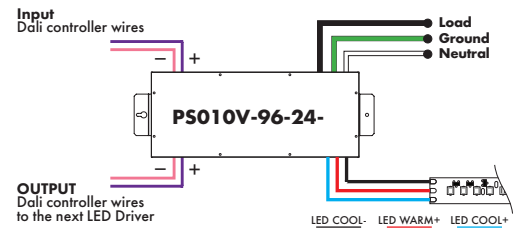
MODELS	PS010TW
A Length	14.40"
B Width	2.60"
C Depth	5.20"



Customizable Dim to Warm or Variable White via 0 - 10V (for tunable white or warm dimming control of Dynamic option)

MODEL	POWER	OUTPUT	CONTROL
PS010V-0-10 LED Driver	96-96 Watt	24-24 VDC	WW- Standard One Channel - Dim To Warm Curve W2C- Standard Two Channel - Dim 1: Intensity; Dim 2: CCT W21- Standard Two Channel - Dim 1: Warm Channel Intensity; Dim 2: Cool Channel Intensity W1X- Custom One Channel - Dim To Warm Curve W2X- Custom two Channel - Dim 1: Intensity; Dim 2: CCT

Requires a 0-10V controller to work properly



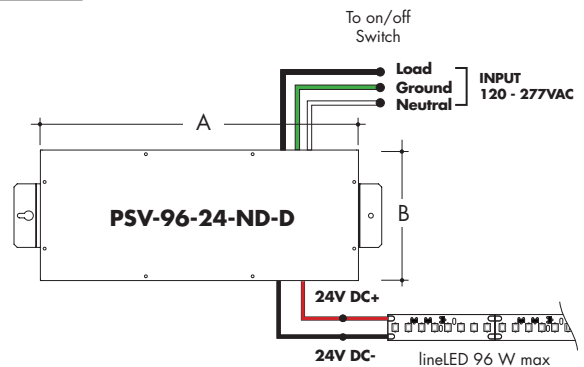
For use with RGB/RGBW/Pixel, RGB42/RGBW36/RGBX18/RGBWX18

Non-Dimming Power Supply 120VAC - 277VAC

MODEL	POWER	OUTPUT	DIMMING	LOCATION
PSV - PSV Series	96 - 96 Watt	24 - 24 VDC	ND - Non Dimming	D - Dry location

Requires a controller and a decoder to work properly

MODELS	96W
A Length	14.40"
B Width	5.20"
Depth	2.60"



Power Supplies

See fixture and power supply instructions & spec sheet for wiring information. Dimming possible in select models - view Luminii website for list of compatible dimmers.

For use with RGB/RGBW, RGB42/RGBW36 or with Dynamic White, DW68

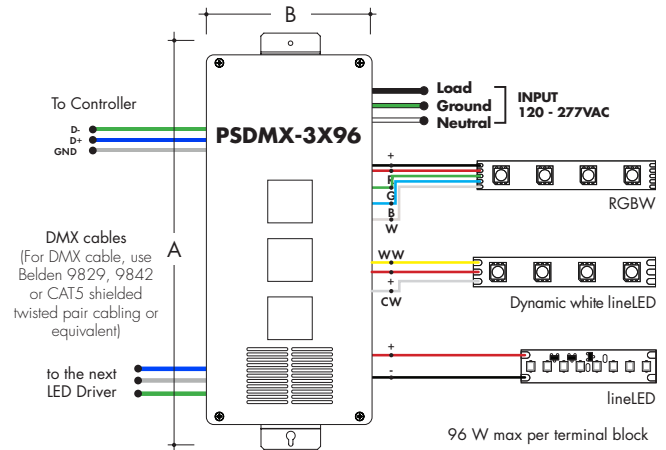
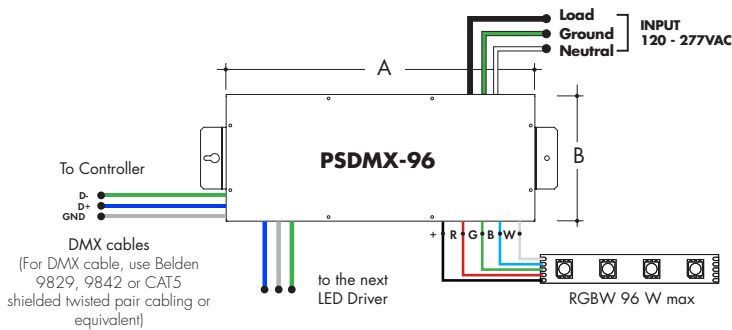
DMX 0% Dimming Power Supplies 120VAC - 277VAC

MODEL	POWER	OUTPUT
PSDMX-DMX Power Supply dims down to 0%	96 - 96 Watt 3X96 - 3 X 96 Watt	24-24 VDC

Features eldoLED's LINEARdrive configurable dimmable drivers.

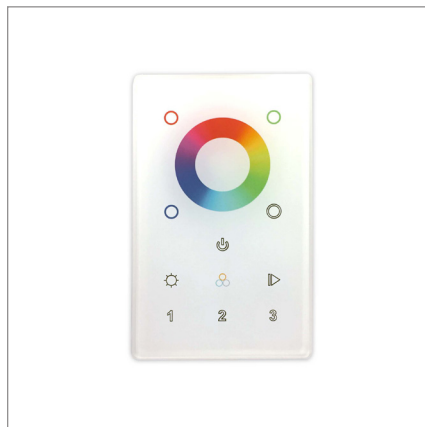
DDMX-RGBW DMX Decoder not required when purchasing this power supply.

MODELS	96W	3X96
A Length	14.40"	15.75"
B Width	5.20"	6.62"
Depth	2.60"	4.95"



DMX-1Z-RGBW, DMX-3Z-RGBW

RGBW LED 1 or 3 Zone Controller



DMX /Wireless RGB-W wall-mount controller controls DMX lighting fixtures, wireless control of RGB-W lighting fixture or use both simultaneously. Fits in any standard US switch box. Includes all the outputs in the back of the controller.

Control brightness levels with a single touch, personalize and memorize 3 different scenes, and even create 3 variations of white.

Features

- 2 in 1 in-Wall Controller: DMX Control or Wireless RGB-W
- 65,000 Color Options, Dimming and Speed Control
- Memory Function
- 50 Foot Wireless Range
- Easily Fits Standard US Switch Boxes
- Touch Sensitive Glass Surface
- Includes 10 Built in Programs, or Create and Play Your Own

Operating Voltage

12 - 24V DC

Color Parameters

- Brightness
- Saturation
- Primary colors
- Fading
- Color changing speed

ORDERING CODE

MODEL	ZONES	COLOR
DMX - DMX Controller	3Z - Three Zone 1Z - One Zone	RGBW - Red, Green, Blue, & White

Touch DMX Controller

Touchscreen digital LED controller



MODEL

TSDMX-E

TSDMX-E - Touchscreen DMX controller

Programmable advanced DMX512 lighting controller featuring a touch-screen interface. Operates as stand alone controller or integrated with most architectural lighting control systems. Can controller endless DMX512 enabled devices.

Mounts to standard single or dual gang wall box with the included power supply inside the junction box. Terminal block design for power and data connections.

Features

- Sleek glass design which sits 0.43" from the wall
- Graphical color display to show selected environment
- Color/dimmer/speed palette
- Color temperature mixing
- Touch sensitive buttons. No mechanical parts
- Touch sensitive wheel allows for accurate color selection
- Multi-zone microSD memory
- Multi-room control with 500 scenes, 10 zones
- 1024 DMX channels. Control 340 RGB fixtures
- USB & Ethernet connectivity for programming and control

Power Supply

7 VDC (included)

Programmability

PC, Mac, Tablet, Smartphone

Output Signal

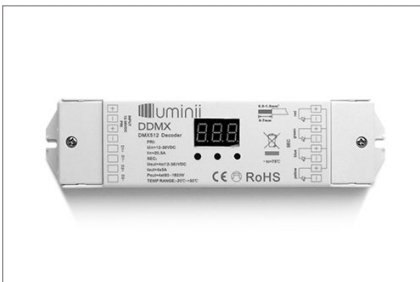
DMX512 (1024 channels)

Color Parameters

- Brightness
- Saturation
- Speed of color changing sequence
- Fading / dimming / brightness

DMX Decoder

DMX signal to RGBW decoder (required to operate DMX controller)



ORDERING CODE

MODEL

DDMX-RGBW

DDMX-RGBW - DMX decoder

Translates controller DMX512 programs for RGB and white LED strips.

Unique DMX address for the decoder can be set easily and displayed by the numeric display on the case. Changing and resetting the DMX address requires manual input.

Use power repeater to expand output.

Operating Voltage

12-36 VDC

Power Capacity

up to 96W at 24V

Operating Temperature Range

from -4°F to +122°F in case

Smart Pixel Decoder

SPI signal to DMX signal decoder



Model

SR-DMX-SPI

SR-DMX-SPI - Smart Pixel Decoder

The SR-DMX-SPI is a smart LED pixel decoder that controls RGB/RGBW pixel LED strips with SPI signal. Designed with an OLED backlit panel, the pixel controller allows for easy configuration of most settings.

Four push buttons are available for control of the LED functions.

*For pixel only.

Features

- 2 in 1 in-Wall Controller: DMX Control or Wireless RGB-W
- SPI signal output for RGB/RGBW pixel light control
- DMX512 controllable and RF/WIFI remote controllable
- Capable of addressing up to 1020 RGB pixels & 765 RGB pixels
- OLED panel allows for easy configuration

Operating Voltage

12 - 36V DC

Power capacity

up to 96W at 24V

Operating temperature range

from -4°F to +122°F in case