

**Features**

- Extruded aluminum display and wall light system.
- 24VDC Class 2 fixtures made to order up to 116"
- Class 2 listed for damp locations
- Approved for closet/storage space installation per NEC 410.16(A)(3) and 410.16(C)(5)
- Dot free even illumination with frosted lens
- High Color Quality options offer premium quality and vibrant colors with R9 values up to 97
- High Efficacy options offer best in class output and efficacy with over 750 lm/ft and up to 50 lm/W
- Proprietary strong bond solder method handles up to 50 lbs of pull force on wire leads and connectors
- 5 Year warranty

**Finish Options**

- Silver anodized
- Bronze powder coated
- Black powder coated
- White powder coated



**Technical Information**

TYPE	High Color Quality			High Efficacy				High Efficacy
	72SO	72HO	72VHO	HE48LO	HE48SO	HE48MO	HE48HO	HE64VHO
<b>OUTPUT OPTIONS</b>								
<b>Lumens Output (3000K)</b> <small>(with a Clear Lens)</small>	215 lm/ft	349 lm/ft	424 lm/ft	209 lm/ft	289 lm/ft	387 lm/ft	620 lm/ft	785 lm/ft
<b>Average Power Consumption</b> <small>(for a 4' section)</small>	2.8 W/ft	4.8 W/ft	6.0 W/ft	1.9 W/ft	2.8 W/ft	3.5 W/ft	6.5 W/ft	7.5 W/ft
<b>Efficacy</b>	77 lm/W	73 lm/W	71 lm/W	110 lm/W	103 lm/W	111 lm/W	95 lm/W	105 lm/W
<b>Maximum System Length</b> <small>In Series</small>	40 ft	31 ft	22 ft	48 ft	42 ft	33 ft	21 ft	15 ft

**High Color Quality (72)**

CCT	Multiplier <small>(reference - 3000K)</small>	TM-30			
		CRI	R <sub>f</sub>	R <sub>g</sub>	R <sub>9</sub>
1900K	0.55	96	94	97	90
2200K	0.70	96	95	101	89
2400K	0.72	98	97	101	91
2700K	0.74	97	96	101	91
3000K	1.00	97	95	104	97
3500K	1.02	97	94	105	97
4100K	1.07	97	90	99	97

**High Efficacy (HE48/HE64)**

CCT	Multiplier <small>(reference - 3000K)</small>	TM-30			
		CRI	R <sub>f</sub>	R <sub>g</sub>	R <sub>9</sub>
2700K	0.94	92	90	99	58
3000K	1.00	92	89	99	57
3500K	1.02	92	89	99	60
4000K	1.02	92	86	94	71

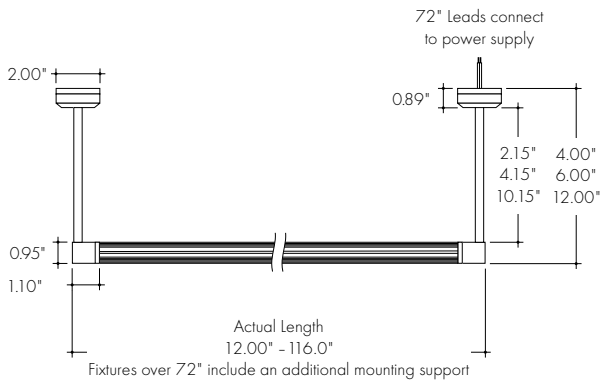
**Ordering Code**

MODEL	LENGTH <sup>1</sup>	OUTPUT	CCT	LENS <sup>2</sup>	MOUNTING	FINISH <sup>3</sup>
TEA – Teava Wall	12"–116" 1" increments	72SO - Standard 72HO - High 72VHO - Very High	19K - 1900K 22K - 2200K 24K - 2400K 27K - 2700K 30K - 3000K 35K - 3500K 41K - 4100K	C - Clear F - Frosted	4 - 4" Arm Length 6 - 6" Arm Length 12 - 12" Arm Length	SA - Silver BK - Black BZ - Bronze WH - White
	12"–116" 2" increments	HE48LO - Low HE48SO - Standard HE48MO - Medium HE48HO - High HE64VHO - Very High	27K - 2700K 30K - 3000K 35K - 3500K 40K - 4000K			

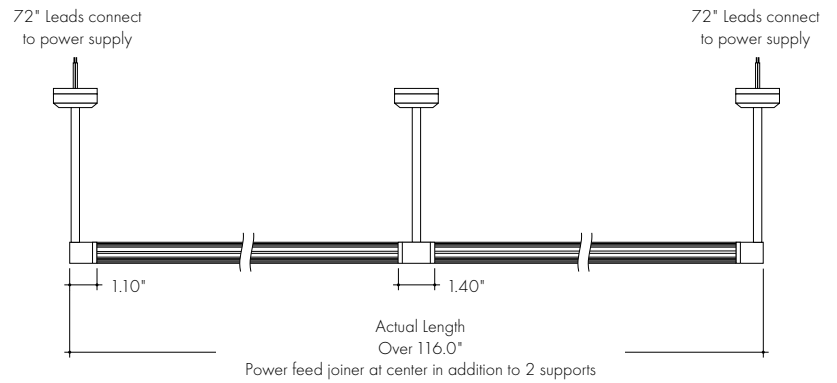
<sup>1</sup> - Single Fixtures are available up to 116". An additional support is required for fixture lengths 72" to 116". Extended Runs longer than 116" are available and include a power feed joiner between each fixture, see instructions. Custom lengths and increments are available, please consult factory with specific request.  
<sup>2</sup> - All High Efficacy options can be used to comply with Title 24 JAB. High Color Quality options can be used to comply with Title 24 JAB depending on Output, CCT, and Lens selections, see multiplier charts to calculate specific efficacies  
<sup>3</sup> - BK, BZ, and WH finishes may have extended lead times. Custom RALs are available, please contact factory with specific request.

Product Dimensions

Single Fixture (up to 116")



Extended Runs (over 116")



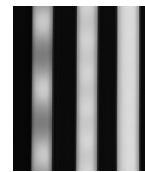
Lens Option / Light Transmission

Light Transmission

Lens/Accessory	Transmission Percentage
Clear Lens	100%
Frosted Lens	69%

LED Dotting Per Output/Lens

Output Type	Lens Type	
	Clear	Frosted
72SO	CD	ND
72HO	CD	ND
72VHO	CD	ND
HE48LO	CD	ND
HE48SO	CD	ND
HE48MO	CD	ND
HE48HO	CD	ND
HE64VHO	CD	ND

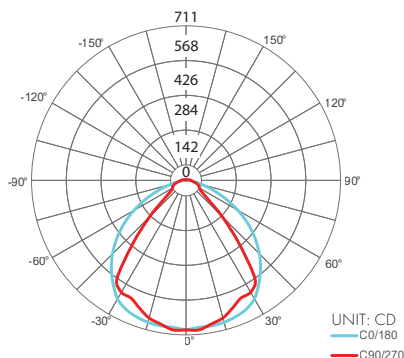


CD SD ND  
 CD - Clear Dotting  
 SD - Slight Dotting  
 ND - No Dotting

Photometry

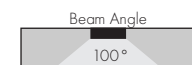
TEA-48-30K-72VHO-C

Teava, 4ft, 3000K, VHO, Clear Lens



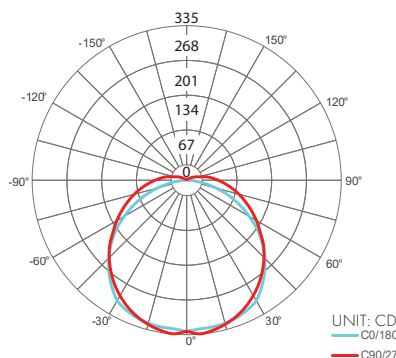
Zonal Lumen Summary 3000K

Zone	Lumen	% Fixture
0-30	542	32.0%
0-40	893	52.6%
0-60	1442	85.1%
0-90	1652	97.4%
0-180	1695	100.0%



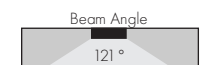
TEA-48-30K-72VHO-F

Teava, 4ft, 3000K, VHO, Frosted Lens



Zonal Lumen Summary 3000K

Zone	Lumen	% Fixture
0-30	258	22.0%
0-40	428	36.7%
0-60	784	67.1%
0-90	1095	93.7%
0-180	1169	100.0%



**Power Consumption**

Tested at full power with PSD Series power supplies.

Standard Nominal Lengths offered provide minimal shadowing. For alternate lengths, please contact factory with specific request.

**High Color Quality (72)**

Nominal Length (in)	Actual Length	Watts			Nominal Length (in)	Actual Length	Watts			Nominal Length (in)	Actual Length	Watts			Nominal Length (in)	Actual Length	Watts		
		SO	HO	VHO			SO	HO	VHO			SO	HO	VHO			SO	HO	VHO
12	11 1/16	2.7	4.4	6.2	47	46 15/16	10.0	16.7	22.1	82	81 11/16	17.9	28.9	37.6	117	-	-	-	
13	12 3/16	2.7	4.4	6.2	48	-	-	-	-	83	82 13/16	18.1	29.2	38.0	118	-	-	-	
14	13 6/16	2.7	4.4	6.2	49	48 1/16	10.2	17.1	22.6	84	84	18.3	29.5	38.4	119	-	-	-	
15	14 8/16	2.7	4.4	6.2	50	49 4/16	10.5	17.4	23.1	85	-	-	-	-	120	-	-	-	
16	15 11/16	2.9	4.8	6.7	51	50 6/16	10.7	17.8	23.5	86	85 2/16	18.5	29.8	38.8	121	-	-	-	
17	16 13/16	3.1	5.2	7.3	52	51 9/16	11.1	18.6	24.4	87	86 5/16	18.7	30.1	39.2	122	-	-	-	
18	18	3.4	5.6	7.8	53	52 11/16	11.4	18.9	24.9	88	87 7/16	19.2	30.8	40.0	123	-	-	-	
19	-	-	-	-	54	53 14/16	11.6	19.3	25.3	89	88 10/16	19.4	31.1	40.4	124	-	-	-	
20	19 2/16	3.6	6.0	8.3	55	-	-	-	-	90	89 12/16	19.6	31.5	40.8	125	-	-	-	
21	20 5/16	3.9	6.5	8.9	56	55 1/16	11.9	19.7	25.7	91	90 15/16	19.9	31.8	41.1	126	-	-	-	
22	21 7/16	4.4	7.3	9.9	57	56 3/16	12.1	20.1	26.1	92	-	-	-	-	127	-	-	-	
23	22 10/16	4.6	7.7	10.5	58	57 6/16	12.3	20.5	26.6	93	92 1/16	20.1	32.2	41.5	128	-	-	-	
24	23 12/16	4.8	8.1	11.0	59	58 8/16	12.8	21.3	27.4	94	93 4/16	20.4	32.5	41.9	129	-	-	-	
25	24 15/16	5.1	8.6	11.5	60	59 11/16	13.1	21.6	27.8	95	94 6/16	20.6	32.9	42.3	130	-	-	-	
26	-	-	-	-	61	60 13/16	13.3	22.0	28.3	96	95 9/16	21.1	33.6	43.1	131	-	-	-	
27	26 1/16	5.3	9.0	12.1	62	62	13.6	22.4	28.7	97	96 12/16	21.3	33.9	43.4	132	-	-	-	
28	27 4/16	5.6	9.4	12.6	63	-	-	-	-	98	97 14/16	21.5	34.2	43.8	133	-	-	-	
29	28 6/16	5.8	9.8	13.1	64	63 2/16	13.8	22.8	29.1	99	-	-	-	-	134	-	-	-	
30	29 9/16	6.2	10.5	14.1	65	64 5/16	14.0	23.1	29.6	100	99 1/16	21.8	34.6	44.2	135	-	-	-	
31	30 11/16	6.5	10.9	14.5	66	65 7/16	14.5	23.8	30.5	101	100 3/16	22.0	34.9	44.6	136	-	-	-	
32	31 14/16	6.7	11.2	15.0	67	66 10/16	14.7	24.1	31.0	102	101 6/16	22.2	35.2	45.0	137	-	-	-	
33	-	-	-	-	68	67 12/16	14.9	24.4	31.4	103	102 8/16	22.5	35.9	45.9	138	-	-	-	
34	33 1/16	6.9	11.6	15.5	69	68 15/16	15.1	24.7	31.9	104	103 11/16	22.7	36.2	46.3	139	-	-	-	
35	34 3/16	7.1	12.0	16.0	70	-	-	-	-	105	104 13/16	22.9	36.5	46.7	140	-	-	-	
36	35 6/16	7.3	12.3	16.5	71	70 1/16	15.3	25.0	32.4	106	106	23.1	36.8	47.1	141	-	-	-	
37	36 8/16	7.8	13.1	17.4	72	71 4/16	15.5	25.4	32.8	107	-	-	-	-	142	-	-	-	
38	37 11/16	8.0	13.4	17.9	73	72 6/16	15.8	25.7	33.3	108	107 2/16	23.3	37.1	47.5	143	-	-	-	
39	38 13/16	8.2	13.8	18.4	74	73 9/16	16.2	26.3	34.2	109	108 5/16	23.5	37.4	48.0	144	-	-	-	
40	40	8.4	14.2	18.9	75	74 11/16	16.4	26.6	34.7	110	109 7/16	23.9	38.1	48.8					
41	-	-	-	-	76	75 14/16	16.6	26.9	35.1	111	110 10/16	24.1	38.4	49.2					
42	41 2/16	8.7	14.5	19.3	77	-	-	-	-	112	111 12/16	24.3	38.7	49.6					
43	42 5/16	8.9	14.9	19.8	78	77 1/16	16.8	27.3	35.5	113	112 15/16	24.5	39.0	50.0					
44	43 7/16	9.3	15.6	20.7	79	78 3/16	17.1	27.6	35.9	114	-	-	-	-					
45	44 10/16	9.6	16.0	21.2	80	79 6/16	17.3	27.9	36.3	115	114 1/16	24.8	39.3	50.4					
46	45 12/16	9.8	16.4	21.7	81	80 8/16	17.7	28.5	37.2	116	115 4/16	25.0	39.6	50.8					

**Power Consumption**

Tested at full power with PSD Series power supplies.

Standard Nominal Lengths offered provide minimal shadowing. For alternate lengths, please contact factory with specific request.

**High Efficacy (HE48)**

Nominal Length (in)	Actual Length	Watts				Nominal Length (in)	Actual Length	Watts				Nominal Length (in)	Actual Length	Watts				Nominal Length (in)	Actual Length	Watts			
		LO	SO	MO	HO			LO	SO	MO	HO			LO	SO	MO	HO			LO	SO	MO	HO
<b>12</b>	10 13/16	1.7	2.5	3.5	5.7	<b>47</b>	46 4/16	6.7	10.2	12.6	23.9	<b>82</b>	81 11/16	12.2	19.4	23.3	41.4	<b>117</b>	-	-	-	-	
<b>13</b>	12 12/16	1.7	2.5	3.5	5.7	<b>48</b>	-	-	-	-	-	<b>83</b>	-	-	-	-	-	<b>118</b>	-	-	-	-	
<b>14</b>	-	-	-	-	-	<b>49</b>	48 3/16	6.9	10.7	13.3	24.7	<b>84</b>	83 10/16	12.5	19.9	23.9	42.2	<b>119</b>	-	-	-	-	
<b>15</b>	14 12/16	1.7	2.5	3.5	5.7	<b>50</b>	-	-	-	-	-	<b>85</b>	-	-	-	-	-	<b>120</b>	-	-	-	-	
<b>16</b>	-	-	-	-	-	<b>51</b>	50 3/16	7.1	11.2	13.9	25.4	<b>86</b>	85 10/16	12.8	20.3	24.5	43.1	<b>121</b>	-	-	-	-	
<b>17</b>	16 11/16	2.0	3.0	4.0	7.2	<b>52</b>	-	-	-	-	-	<b>87</b>	-	-	-	-	-	<b>122</b>	-	-	-	-	
<b>18</b>	-	-	-	-	-	<b>53</b>	52 2/16	7.4	11.7	14.5	26.3	<b>88</b>	87 9/16	13.1	20.8	25.1	44.1	<b>123</b>	-	-	-	-	
<b>19</b>	18 11/16	2.4	3.5	4.6	8.7	<b>54</b>	-	-	-	-	-	<b>89</b>	-	-	-	-	-	<b>124</b>	-	-	-	-	
<b>20</b>	-	-	-	-	-	<b>55</b>	54 2/16	7.7	12.3	15.1	27.4	<b>90</b>	89 9/16	13.4	21.3	25.7	45.0	<b>125</b>	-	-	-	-	
<b>21</b>	20 10/16	2.7	3.9	5.2	10.2	<b>56</b>	-	-	-	-	-	<b>91</b>	-	-	-	-	-	<b>126</b>	-	-	-	-	
<b>22</b>	-	-	-	-	-	<b>57</b>	56 1/16	8.0	12.9	15.7	28.5	<b>92</b>	91 8/16	13.7	21.7	26.3	46.0	<b>127</b>	-	-	-	-	
<b>23</b>	22 10/16	3.0	4.4	5.8	11.7	<b>58</b>	-	-	-	-	-	<b>93</b>	-	-	-	-	-	<b>128</b>	-	-	-	-	
<b>24</b>	-	-	-	-	-	<b>59</b>	58 1/16	8.4	13.5	16.4	29.5	<b>94</b>	93 8/16	14.0	22.1	26.9	47.0	<b>129</b>	-	-	-	-	
<b>25</b>	24 9/16	3.4	4.9	6.4	13.2	<b>60</b>	-	-	-	-	-	<b>95</b>	-	-	-	-	-	<b>130</b>	-	-	-	-	
<b>26</b>	-	-	-	-	-	<b>61</b>	60	8.7	14.0	17.0	30.6	<b>96</b>	95 7/16	14.3	22.6	27.5	47.9	<b>131</b>	-	-	-	-	
<b>27</b>	26 9/16	3.7	5.4	7.0	14.7	<b>62</b>	62	9.0	14.6	17.6	31.6	<b>97</b>	-	-	-	-	-	<b>132</b>	-	-	-	-	
<b>28</b>	-	-	-	-	-	<b>63</b>	-	-	-	-	-	<b>98</b>	97 7/16	14.4	22.8	27.8	48.4	<b>133</b>	-	-	-	-	
<b>29</b>	28 8/16	4.1	5.9	7.5	15.8	<b>64</b>	63 15/16	9.4	15.2	18.2	32.6	<b>99</b>	-	-	-	-	-	<b>134</b>	-	-	-	-	
<b>30</b>	-	-	-	-	-	<b>65</b>	-	-	-	-	-	<b>100</b>	99 6/16	14.7	23.3	28.5	49.4	<b>135</b>	-	-	-	-	
<b>31</b>	30 8/16	4.4	6.4	8.1	16.8	<b>66</b>	65 15/16	9.7	15.6	18.7	33.7	<b>101</b>	-	-	-	-	-	<b>136</b>	-	-	-	-	
<b>32</b>	-	-	-	-	-	<b>67</b>	-	-	-	-	-	<b>102</b>	101 6/16	15.0	23.7	29.0	50.4	<b>137</b>	-	-	-	-	
<b>33</b>	32 7/16	4.8	6.9	8.7	17.9	<b>68</b>	67 14/16	10.0	16.1	19.2	34.7	<b>103</b>	-	-	-	-	-	<b>138</b>	-	-	-	-	
<b>34</b>	-	-	-	-	-	<b>69</b>	-	-	-	-	-	<b>104</b>	103 5/16	15.3	24.1	29.6	51.3	<b>139</b>	-	-	-	-	
<b>35</b>	34 7/16	5.0	7.2	9.0	18.5	<b>70</b>	69 14/16	10.4	16.5	19.8	35.7	<b>105</b>	-	-	-	-	-	<b>140</b>	-	-	-	-	
<b>36</b>	-	-	-	-	-	<b>71</b>	-	-	-	-	-	<b>106</b>	105 5/16	15.6	24.6	30.2	52.3	<b>141</b>	-	-	-	-	
<b>37</b>	36 6/16	5.4	7.7	9.6	19.5	<b>72</b>	71 13/16	10.7	17.0	20.3	36.7	<b>107</b>	-	-	-	-	-	<b>142</b>	-	-	-	-	
<b>38</b>	-	-	-	-	-	<b>73</b>	-	-	-	-	-	<b>108</b>	107 4/16	15.8	25.0	30.7	53.2	<b>143</b>	-	-	-	-	
<b>39</b>	38 6/16	5.7	8.2	10.2	20.6	<b>74</b>	73 13/16	11.0	17.4	20.8	37.7	<b>109</b>	-	-	-	-	-	<b>144</b>	-	-	-	-	
<b>40</b>	-	-	-	-	-	<b>75</b>	-	-	-	-	-	<b>110</b>	109 4/16	16.1	25.5	31.3	54.2						
<b>41</b>	40 5/16	6.0	8.7	10.8	21.5	<b>76</b>	75 12/16	11.3	17.9	21.4	38.7	<b>111</b>	-	-	-	-	-						
<b>42</b>	-	-	-	-	-	<b>77</b>	-	-	-	-	-	<b>112</b>	111 3/16	16.4	25.9	31.9	55.2						
<b>43</b>	42 5/16	6.2	9.2	11.4	22.3	<b>78</b>	77 12/16	11.6	18.4	22.0	39.6	<b>113</b>	-	-	-	-	-						
<b>44</b>	-	-	-	-	-	<b>79</b>	-	-	-	-	-	<b>114</b>	113 3/16	16.7	26.4	32.5	56.1						
<b>45</b>	44 4/16	6.4	9.7	12.0	23.1	<b>80</b>	79 11/16	11.9	18.9	22.7	40.5	<b>115</b>	-	-	-	-	-						
<b>46</b>	-	-	-	-	-	<b>81</b>	-	-	-	-	-	<b>116</b>	115 2/16	17.0	26.8	33.1	57.0						

**Power Consumption**

Tested at full power with PSD Series power supplies.

Standard Nominal Lengths offered provide minimal shadowing. For alternate lengths, please contact factory with specific request.

**High Efficacy (HE64)**

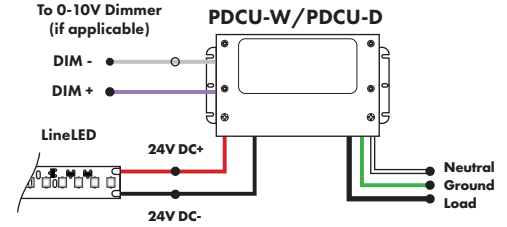
Nominal Length (in)	Actual Length	Watts	Nominal Length (in)	Actual Length	Watts	Nominal Length (in)	Actual Length	Watts	Nominal Length (in)	Actual Length	Watts
		VHO			VHO			VHO			VHO
<b>12</b>	10 8/16	7.6	<b>47</b>	46 13/16	27.6	<b>82</b>	81 11/16	49.8	<b>117</b>	–	–
<b>13</b>	12	7.6	<b>48</b>	–	–	<b>83</b>	–	–	<b>118</b>	–	–
<b>14</b>	13 8/16	7.6	<b>49</b>	48 6/16	28.2	<b>84</b>	83 3/16	50.4	<b>119</b>	–	–
<b>15</b>	–	–	<b>50</b>	49 14/16	29.5	<b>85</b>	84 11/16	51.7	<b>120</b>	–	–
<b>16</b>	15 1/16	7.6	<b>51</b>	–	–	<b>86</b>	–	–	<b>121</b>	–	–
<b>17</b>	16 9/16	8.9	<b>52</b>	51 6/16	30.1	<b>87</b>	86 3/16	52.3	<b>122</b>	–	–
<b>18</b>	–	–	<b>53</b>	52 14/16	31.4	<b>88</b>	87 12/16	53.6	<b>123</b>	–	–
<b>19</b>	18 1/16	9.5	<b>54</b>	–	–	<b>89</b>	–	–	<b>124</b>	–	–
<b>20</b>	19 9/16	10.7	<b>55</b>	54 7/16	32.0	<b>90</b>	89 4/16	54.2	<b>125</b>	–	–
<b>21</b>	–	–	<b>56</b>	55 15/16	33.3	<b>91</b>	90 12/16	55.5	<b>126</b>	–	–
<b>22</b>	21 2/16	11.4	<b>57</b>	–	–	<b>92</b>	–	–	<b>127</b>	–	–
<b>23</b>	22 10/16	12.6	<b>58</b>	57 7/16	34.0	<b>93</b>	92 4/16	56.2	<b>128</b>	–	–
<b>24</b>	–	–	<b>59</b>	58 15/16	35.2	<b>94</b>	93 12/16	57.5	<b>129</b>	–	–
<b>25</b>	24 2/16	13.2	<b>60</b>	–	–	<b>95</b>	–	–	<b>130</b>	–	–
<b>26</b>	25 10/16	14.5	<b>61</b>	60 7/16	36.5	<b>96</b>	95 5/16	58.2	<b>131</b>	–	–
<b>27</b>	–	–	<b>62</b>	62	37.2	<b>97</b>	96 13/16	59.5	<b>132</b>	–	–
<b>28</b>	27 2/16	15.1	<b>63</b>	–	–	<b>98</b>	–	–	<b>133</b>	–	–
<b>29</b>	28 11/16	16.4	<b>64</b>	63 8/16	38.4	<b>99</b>	98 5/16	60.1	<b>134</b>	–	–
<b>30</b>	–	–	<b>65</b>	–	–	<b>100</b>	99 13/16	61.4	<b>135</b>	–	–
<b>31</b>	30 3/16	17.0	<b>66</b>	65	39.1	<b>101</b>	–	–	<b>136</b>	–	–
<b>32</b>	31 11/16	18.2	<b>67</b>	66 8/16	40.4	<b>102</b>	101 6/16	62.0	<b>137</b>	–	–
<b>33</b>	–	–	<b>68</b>	–	–	<b>103</b>	102 14/16	63.2	<b>138</b>	–	–
<b>34</b>	33 3/16	18.9	<b>69</b>	68 1/16	41.0	<b>104</b>	–	–	<b>139</b>	–	–
<b>35</b>	34 12/16	20.1	<b>70</b>	69 9/16	42.3	<b>105</b>	104 6/16	63.8	<b>140</b>	–	–
<b>36</b>	–	–	<b>71</b>	–	–	<b>106</b>	105 14/16	65.0	<b>141</b>	–	–
<b>37</b>	36 4/16	20.7	<b>72</b>	71 1/16	42.9	<b>107</b>	–	–	<b>142</b>	–	–
<b>38</b>	37 12/16	22.0	<b>73</b>	72 9/16	44.2	<b>108</b>	107 7/16	65.6	<b>143</b>	–	–
<b>39</b>	–	–	<b>74</b>	–	–	<b>109</b>	108 15/16	66.8	<b>144</b>	–	–
<b>40</b>	39 4/16	22.6	<b>75</b>	74 2/16	44.9	<b>110</b>	–	–			
<b>41</b>	40 13/16	23.9	<b>76</b>	75 10/16	46.1	<b>111</b>	110 7/16	67.4			
<b>42</b>	–	–	<b>77</b>	–	–	<b>112</b>	111 15/16	68.5			
<b>43</b>	42 5/16	24.5	<b>78</b>	77 2/16	46.7	<b>113</b>	–	–			
<b>44</b>	43 13/16	25.7	<b>79</b>	78 10/16	48.0	<b>114</b>	113 7/16	69.6			
<b>45</b>	–	–	<b>80</b>	–	–	<b>115</b>	115	70.1			
<b>46</b>	45 5/16	26.4	<b>81</b>	80 2/16	48.6	<b>116</b>	–	–			

**Power Supplies**

See Power Supply instructions and spec sheet for wiring information. For a complete list of compatible dimmers, see Compatible Dimming Chart on the Resources page.

**Universal Power Supply 1% 120VAC - 277VAC**

MODEL	POWER	OUTPUT
PDCU-D - IP20 Dry Series	30 - 30 W 60 - 60 W 96 - 96 W 3X96 - 3X96 W	24 - 24 VDC
PDCU-W - IP66 Wet Series	96 - 96 W 3X96 - 3X96 W	

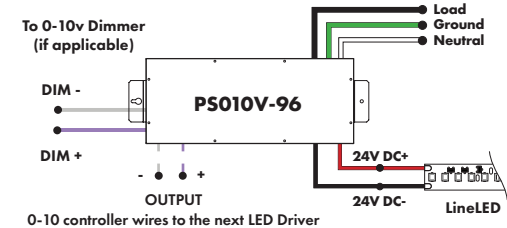


0-10V dims down to 1%, MLV/ELV/TRIAC dims down to 1%.  
For a complete list of compatible dimmers, see [Compatible Dimming Chart](#) on the Resources page.

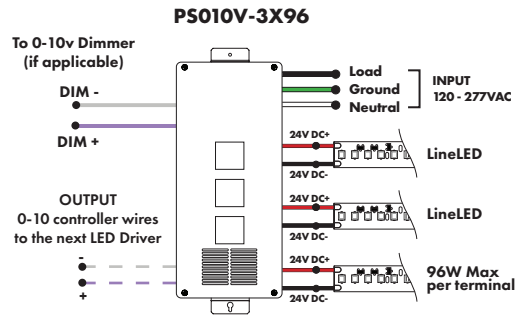
MODELS	PDCU-W 96W	PDCU-W 3X96W	PDCU-D 30W	PDCU-D 60W	PDCU-D 96W	PDCU-D 3X96W
<b>Length</b>	8.66"	11.85"	6.10"	7.93"	8.25"	9.57"
<b>Width</b>	3.73"	4.32"	3.35"	3.35"	4.10"	5.94"
<b>Depth</b>	1.61"	1.81"	1.33"	1.32"	1.56"	1.13"

**0-10V Dimming Power Supplies 0.1% 120VAC - 277VAC**

MODEL	POWER	OUTPUT	DIMMING
PS010V - 0-10V Power Supply dims down to 0.1%	96 - 96 Watt 3X96 - 3 X 96 Watt	24 - 24 VDC	LIN - Linear LOG - Logarithmic



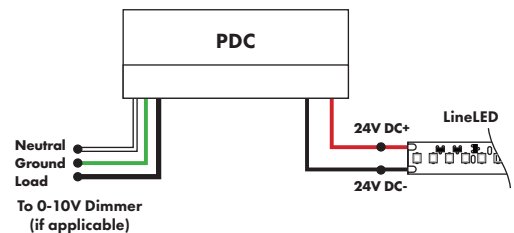
MODELS	96W	3X96
<b>Length</b>	14.40"	15.75"
<b>Width</b>	5.20"	6.62"
<b>Depth</b>	2.60"	4.95"



**Triac, MLV, ELV, & PWM Compatible Dimmers**

MODEL	POWER	OUTPUT
PDC - (IP20) Power Supply	96 - 96 Watts	24 - 24 VDC

MODELS	96W
<b>Length</b>	8.25"
<b>Width</b>	4.10"
<b>Depth</b>	1.56"



**Power Supplies**

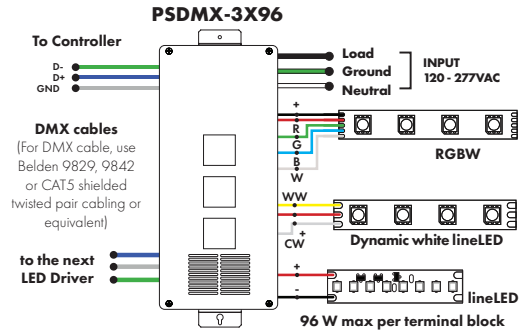
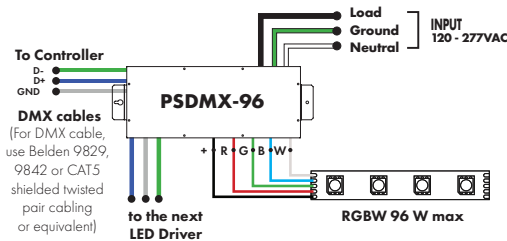
See Power Supply instructions and spec sheet for wiring information. For a complete list of compatible dimmers, see Compatible Dimming Chart on the Resources page.

**DMX Dimming Power Supplies 120VAC - 277VAC**

MODEL	POWER	OUTPUT
PSDMX - DMX Power Supply dims down to 0%	96 - 96 Watt 3X96 - 3 X 96 Watt	24 - 24 VDC

Features eldoLED's LINEARdrive configurable dimmable drivers

MODELS	96W	3X96
<b>Length</b>	14.40"	15.75"
<b>Width</b>	5.20"	6.62"
<b>Depth</b>	2.60"	4.95"

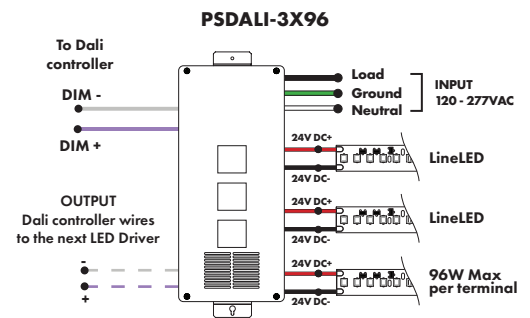
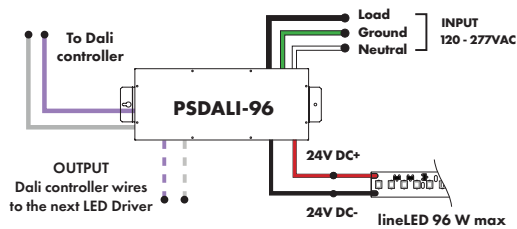


**DALI 0% Dimming Power Supplies 120VAC - 277VAC**

MODEL	POWER	OUTPUT
PSDALI - DALI Power Supply dims down to 0%	96 - 96 Watt 3X96 - 3 X 96 Watt	24 - 24 VDC

Features eldoLED's LINEARdrive configurable dimmable drivers

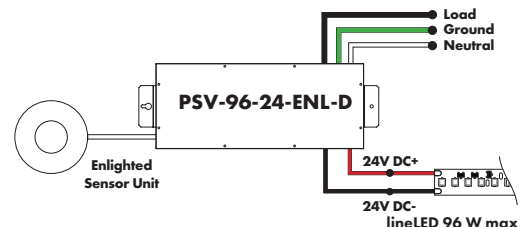
Model	96W	3X96
<b>Length</b>	14.40"	15.75"
<b>Width</b>	5.20"	6.62"
<b>Depth</b>	2.60"	4.95"



**Enlighted Enabled Dimming Power Supplies 120VAC - 277VAC**

MODEL	POWER	OUTPUT	DIMMING	LOCATION
PSV - PSV Series	96 - 96 Watt	24 - 24 VDC	ENL - Enlighted Dimming dims down to 0%	D - Damp

Model	96W
<b>Length</b>	14.40"
<b>Width</b>	5.20"
<b>Depth</b>	2.60"



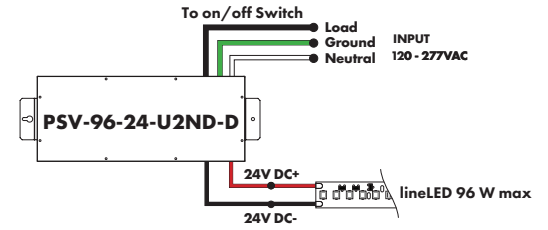
### Power Supplies

See Power Supply instructions and spec sheet for wiring information. For a complete list of compatible dimmers, see Compatible Dimming Chart on the Resources page.

#### Non-Dimming Power Supply 120VAC - 277VAC

MODEL	POWER	OUTPUT	DIMMING	LOCATION
PSV - PSV Series	96 - 96 Watt	24 - 24 VDC	U2ND - Non Dimming	D - Damp

MODELS	96W
Length	14.40"
Width	5.20"
Depth	2.60"

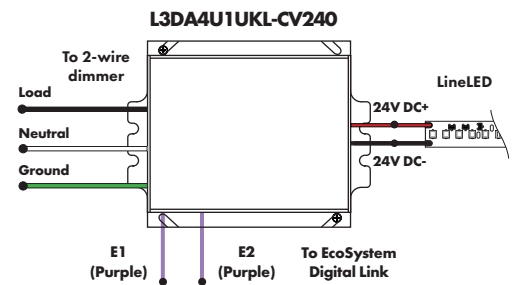
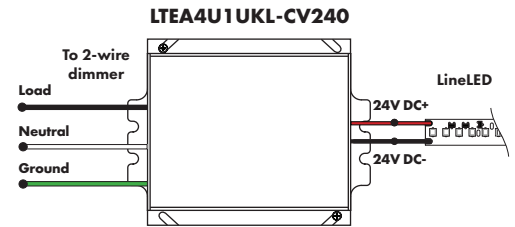


Luminii is a Lutron OEM Advantage Partner

#### Lutron Power Supplies 1%

MODEL	MODEL
<b>LTEA4U1UKL-CV240</b>	<b>L3DA4U1UKL-CV240</b>
Lutron - HiLume™ 1% 2-wire LED Driver 40W max	HiLume™ 1% EcoSystem Voltage LED driver 40W max
(120V forward phase only)	

MODELS	LTEA4U1UKL-CV240	L3DA4U1UKL-CV240
Length	4.89"	4.98"
Width	4.00"	4.00"
Depth	2.62"	2.62"

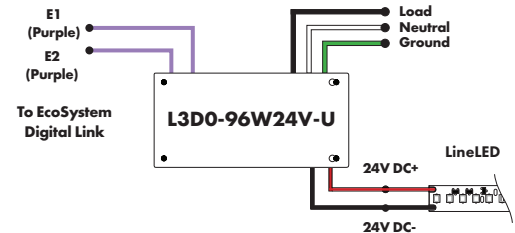


Luminii is a Lutron OEM Advantage Partner

#### Lutron Power Supplies 0.1%

MODEL
<b>L3D0-96W24V-U</b>
HiLume™ 0.1% EcoSystem Voltage LED Driver with Soft-On, Fade-to-Black™ 96W max

MODELS	L3D0
Length	10.50"
Width	5.50"
Depth	2.00"



#### In-Ground Power Supplies

MODEL	POWER	OUTPUT	INPUT
IG - In ground CVE Series	CVE - ELV Dimming DALI - eidoLED Dali dimming Both dims down to 0%	96X2 - 2 X 96 Watt	24 - 24 VDC
			Blank - 120 V 277 - 240/277 V

MODELS	Dual Circuit
Length	8.40"
Width	8.30"
Depth	8.10"

