

MINIMO TILT TRIMLESS

NARROW



TECHNICAL DESCRIPTION

Minimo Tilt Trimless is a Constant Current single source LED recessed spotlight that is machined from aerospace grade aluminium 6063-T6 and comes as standard in white, black and brushed aluminium. It has three site-changeable optics for flexible beam distribution and is adjustable with a 25° tilt without breaking the ceiling line. The narrow beam in our 2.24W 180lm module has a peak intensity of 1566cd.

MECHANICAL & ELECTRICAL

CATEGORY IP20	WATTAGE 2.24W
MATERIAL Machined AL 6063-T6 Machined Brass	FORWARD VOLTAGE 3.2V
PAN 360°	DRIVE CURRENT 700mA
TILT 25°	SUPPLY TYPE Constant Current
LOCKABLE N/A	DRIVER LOCATION Remote
WEIGHT 124g 0.27lb	DIMMING DALI 0-10V 1-10V

MOUNTING

MOUNTING Recessed	CUTOUT ø57mm (2.24")
CEILING THICKNESS 5-25mm (0.20-0.98")	MIN CEILING VOID 20mm (0.79") clearance above

FINISHES

FINISHES Brushed Aluminium | Black RAL9005 | White RAL9010

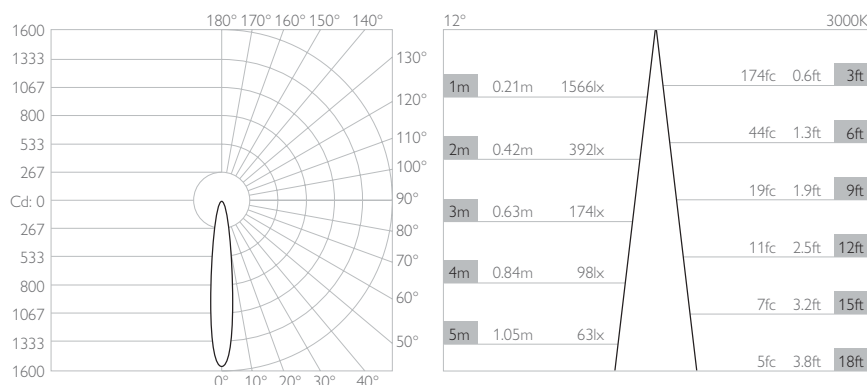
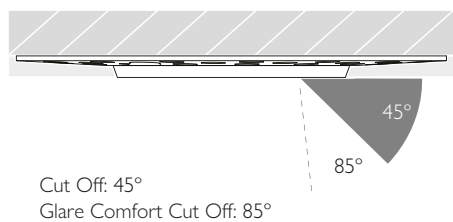
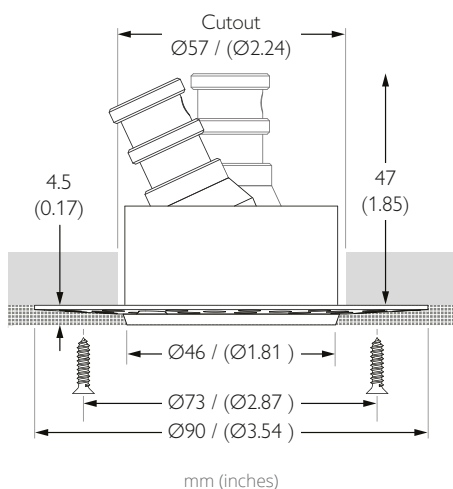
*Premium & custom finishes are built & finished to order. These are subject to an extended lead time & MOQ.

OPTICAL & STANDARDS

NOMINAL LUMENS 180lm	BEAM ANGLE 12°
DELIVERED LUMENS 164lm	CRI 95 TYP
COLOUR TEMPERATURE 2700K 3000K	TM-30 RF: 93 RG: 99
ACCESSORY HOLDER N/A	WARRANTY 5 Years
ACCESSORIES N/A	STANDARDS



Photometry shown is for 3000K module. Please enquire for other CCT photometry. L90 50,000 hours.



LUMINAIRE FINISH

White 9010	Black 9005	Brushed Aluminium	Rubbed Bronze*	Polished Brass*	Brushed Brass*
RCT-621-WH-XX9512	RCT-621-BK-XX9512	RCT-621-AL-XX9512	RCT-621-RB-XX9512		

*All premium & custom finishes are built & finished to order. These are subject to an extended lead time & MOQ

For 3000K Substitute XX with 30

For 2700K Substitute XX with 27

MINIMO TILT TRIMLESS

MEDIUM



TECHNICAL DESCRIPTION

Minimo Tilt Trimless is a Constant Current single source LED recessed spotlight that is machined from aerospace grade aluminium 6063-T6 and comes as standard in white, black and brushed aluminium. It has three site-changeable optics for flexible beam distribution and is adjustable with a 25° tilt without breaking the ceiling line. The medium beam in our 2.24W 180lm module has a peak intensity of 470cd.

MECHANICAL & ELECTRICAL

CATEGORY IP20

MATERIAL Machined AL 6063-T6 | Machined Brass

PAN 360°

TILT 25°

LOCKABLE N/A

WEIGHT 124g | 0.27lb

WATTAGE 2.24W

FORWARD VOLTAGE 3.2V

DRIVE CURRENT 700mA

SUPPLY TYPE Constant Current

DRIVER LOCATION Remote

DIMMING DALI | 0-10V | 1-10V

MOUNTING

MOUNTING Recessed

CEILING THICKNESS 5-25mm (0.20-0.98")

CUTOUT ø57mm (2.24")

MIN CEILING VOID 20mm (0.79") clearance above

FINISHES

FINISHES Brushed Aluminium | Black RAL9005 | White RAL9010

*Premium & custom finishes are built & finished to order. These are subject to an extended lead time & MOQ.

OPTICAL & STANDARDS

NOMINAL LUMENS 180lm

DELIVERED LUMENS 150lm

COLOUR TEMPERATURE 2700K | 3000K

ACCESSORY HOLDER N/A

ACCESSORIES N/A

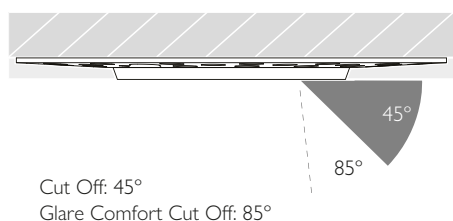
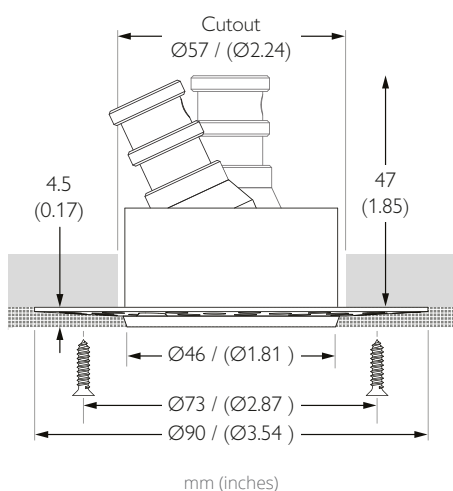
BEAM ANGLE 30°

CRI 95 TYP

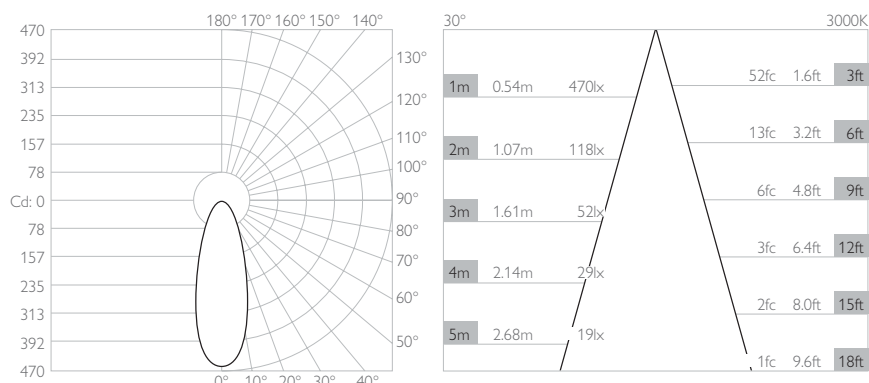
TM-30 RF: 93 RG: 99

WARRANTY 5 Years

STANDARDS



Photometry shown is for 3000K module. Please enquire for other CCT photometry. L90 50,000 hours.



LUMINAIRE FINISH

White 9010	Black 9005	Brushed Aluminium	Rubbed Bronze*	Polished Brass*	Brushed Brass*
RCT-621-WH-XX9530	RCT-621-BK-XX9530	RCT-621-AL-XX9530	RCT-621-RB-XX9530		

*All premium & custom finishes are built & finished to order. These are subject to an extended lead time & MOQ

For 3000K Substitute XX with 30

For 2700K Substitute XX with 27

MINIMO TILT TRIMLESS

FLOOD



TECHNICAL DESCRIPTION

Minimo Tilt Trimless is a Constant Current single source LED recessed spotlight that is machined from aerospace grade aluminium 6063-T6 and comes as standard in white, black and brushed aluminium. It has three site-changeable optics for flexible beam distribution and is adjustable with a 25° tilt without breaking the ceiling line. The flood beam in our 2.24W 180lm module has a peak intensity of 163cd.

MECHANICAL & ELECTRICAL

CATEGORY IP20	WATTAGE 2.24W
MATERIAL Machined AL 6063-T6 Machined Brass	FORWARD VOLTAGE 3.2V
PAN 360°	DRIVE CURRENT 700mA
TILT 25°	SUPPLY TYPE Constant Current
LOCKABLE N/A	DRIVER LOCATION Remote
WEIGHT 124g 0.27lb	DIMMING DALI 0-10V 1-10V

MOUNTING

MOUNTING Recessed	CUTOUT ø57mm (2.24")
CEILING THICKNESS 5-25mm (0.20-0.98")	MIN CEILING VOID 20mm (0.79") clearance above

FINISHES

FINISHES Brushed Aluminium | Black RAL9005 | White RAL9010

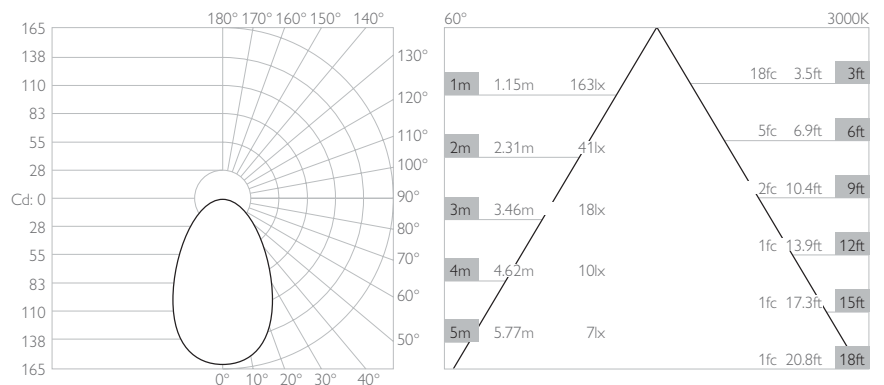
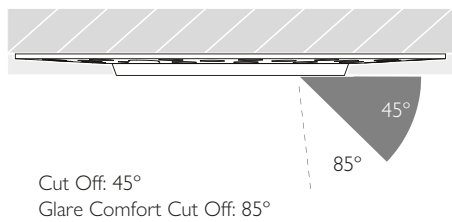
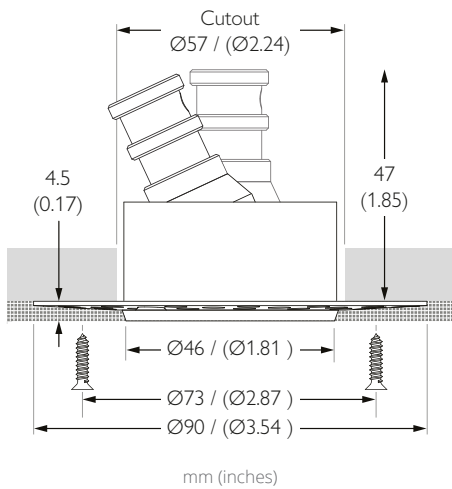
*Premium & custom finishes are built & finished to order. These are subject to an extended lead time & MOQ.

OPTICAL & STANDARDS

NOMINAL LUMENS 180lm	BEAM ANGLE 60°
DELIVERED LUMENS 163lm	CRI 95 TYP
COLOUR TEMPERATURE 2700K 3000K	TM-30 RF: 93 RG: 99
ACCESSORY HOLDER N/A	WARRANTY 5 Years
ACCESSORIES N/A	STANDARDS



Photometry shown is for 3000K module. Please enquire for other CCT photometry. L90 50,000 hours.



LUMINAIRE FINISH

White 9010	Black 9005	Brushed Aluminium	Rubbed Bronze*	Polished Brass*	Brushed Brass*
RCT-621-WH-XX9560	RCT-621-BK-XX9560	RCT-621-AL-XX9560	RCT-621-RB-XX9560		

*All premium & custom finishes are built & finished to order. These are subject to an extended lead time & MOQ

For 3000K Substitute XX with 30

For 2700K Substitute XX with 27