

Line LED LL series is a small profile high performance LED strip. The durable, but flexible products feature a heavier copper core for better heat dissipation and even illumination over long runs.

Available in single row configurations ranging from 9 to 54 LEDs per foot with multiple power feed and connector options. Line LED LL series feature outstanding color consistency with single binning and CRI up to 98.

**Mounting**

LLLED strip is equipped with 3M™ adhesive transfer tape (9472LE).

**Applications**

Indoor only - above and below cabinets, cove lighting, counter accent, architectural reveals, under banister, display and book cases, etc.

**Approvals**

Class 2 damp listed

**Operating voltage**

24 VDC

**Average life**

50,000 hours

**Warranty**

5 years



LM80



TITLE 24 JA8 COMPLIANT

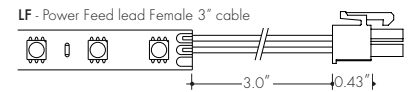
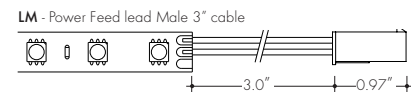
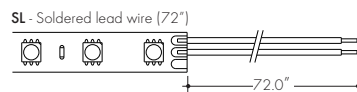


**Technical information**

MODEL:	LL9	LL18	LL30	LL36	LL54
LEDS/ft	9	18	30	36	54
Light output (3000K)	65 lum/ft	125 lum/ft	203 lum/ft	253 lum/ft	354 lum/ft
Average power consumption (for 15' section)	1.0 W/ft	1.5 W/ft	2.5 W/ft	3.0 W/ft	4.5 W/ft
Cutting increment	6.50"	4.00"	2.50"	2.00"	1.3"
Pitch length	1.31"	0.66"	0.41"	0.33"	0.22"
Efficacy lum/watt	65	83	81	84	79
Maximum run length (in series)	100 ft	100 ft	48 ft	39 ft	26 ft
Dimensions	0.39" W 0.09" H	0.39" W 0.09" H	0.39" W 0.09" H	0.39" W 0.09" H	0.39" W 0.09" H

CCT INFO/LUMEN MULTIPLIER		TM-30-15		
CCT	Multiplier (referenced from 3000K)	CRI	R <sub>f</sub>	R <sub>g</sub>
1900K	0.63	96	94	97
2200K	0.68	96	95	101
2400K	0.72	98	97	101
2700K	0.76	97	96	101
2900K	0.82	98	96	102
3000K	1.00	97	95	104
3500K	1.05	97	94	105
4100K	1.37	97	90	99

**SECTION START/END OPTIONS**



**Ordering code**

MODEL	CCT	SECTION START	SECTION END	LENGTH
LL9	19K	F	M	

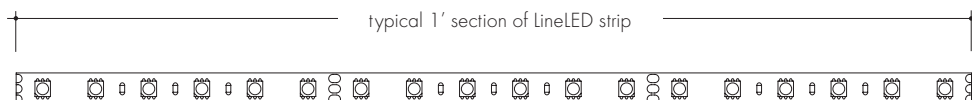
- LL9      \*\*19K - 1900K
  - LL18    22K - 2200K
  - \*LL30    24K - 2400K
  - \*LL36    27K - 2700K
  - \*LL54    29K - 2900K
  - 30K - 3000K
  - 35K - 3500K
  - 41K - 4100K
- F - Female connector
  - M - Male Connector
  - SL - Soldered lead wires (72")
  - LF - Lead female
  - LM - Lead male
  - NC - No connector
- F - Female connector
  - M - Male Connector
  - SL - Soldered lead wires (72")
  - LF - Lead female
  - LM - lead male
  - NC - No connector

view table above for increment options and maximum run limits

\* Title 24 JA8 Compliant  
 \*\* Not available with LL9  
 LL54 only available with SL, NC, LF, & LM Section start/end

Power consumption per linear foot - loads tested with PSD series of power supplies (page 6)

Length of strip (LF)	LL9		LL18		LL30		LL36		LL54	
	W/ft	Total wattage	W/ft	Total wattage	W/ft	Total wattage	W/ft	Total wattage	W/ft	Total wattage
1	1.20	0.90	1.65	1.65	2.70	2.70	3.25	3.25	5.35	5.30
2	1.20	1.90	1.65	3.30	2.70	5.40	3.25	6.50	5.30	10.60
3	1.20	2.70	1.65	4.95	2.70	8.10	3.25	9.75	5.25	15.80
4	1.20	3.70	1.63	6.58	2.65	10.60	3.20	12.80	5.20	20.60
5	1.15	4.90	1.63	8.21	2.65	13.25	3.20	16.00	5.15	26.00
6	1.15	6.10	1.62	9.83	2.65	15.90	3.15	18.90	5.10	30.80
7	1.15	7.10	1.62	11.45	2.60	18.20	3.15	22.05	5.05	35.70
8	1.10	8.10	1.62	13.07	2.60	20.80	3.10	24.80	5.00	40.00
9	1.10	8.60	1.60	14.67	2.60	23.40	3.10	27.90	4.95	44.80
10	1.10	9.60	1.60	16.50	2.55	25.50	3.05	30.50	4.90	48.90
11	1.05	10.90	1.57	18.07	2.55	28.05	3.05	33.50	4.85	53.30
12	1.05	11.90	1.57	19.64	2.55	30.60	3.00	36.00	4.80	57.40
13	1.05	12.90	1.57	21.21	2.50	32.50	3.00	39.00	4.70	60.60
14	1.05	14.10	1.55	22.76	2.50	35.00	3.00	42.00	4.60	64.30
15	1.00	14.80	1.55	24.31	2.50	37.50	3.00	45.00	4.50	67.40
16	1.00	15.60	1.55	25.86	2.45	39.20	2.95	47.20	4.40	70.50
17	1.00	16.80	1.52	27.38	2.45	41.65	2.95	50.15	4.35	73.40
18	1.00	17.80	1.52	28.90	2.45	44.10	2.90	52.50	4.30	77.00
19	1.00	18.80	1.52	30.42	2.40	45.60	2.90	55.10	4.25	81.30
20	0.95	18.90	1.50	31.20	2.40	48.00	2.85	57.00	4.20	83.50
21	0.95	19.84	1.50	32.70	2.40	50.40	2.85	59.85	4.10	85.70
22	0.95	20.78	1.50	34.20	2.35	51.70	2.80	61.60	4.00	87.10
23	0.95	21.72	1.48	35.68	2.35	54.05	2.80	64.60	3.90	88.80
24	0.95	22.66	1.47	37.15	2.35	56.40	2.75	66.00	3.80	90.10
25	0.95	23.60	1.47	38.62	2.30	57.50	2.75	68.75	3.70	92.30
26	0.95	24.54	1.45	40.07	2.30	59.80	2.70	70.20	3.60	93.60
27	0.95	25.48	1.45	41.52	2.30	62.10	2.70	72.90		
28	0.95	26.42	1.43	42.20	2.25	63.00	2.65	74.20		
29	0.95	27.46	1.42	43.00	2.25	65.25	2.65	76.85		
30	0.95	28.30	1.40	43.70	2.25	67.50	2.60	78.00		
31	0.95	29.06	1.40	45.10	2.20	68.20	2.60	80.60		
32	0.95	29.82	1.38	46.50	2.20	70.40	2.55	81.60		
33	0.95	30.58	1.37	47.70	2.20	72.60	2.55	84.15		
34	0.95	31.34	1.37	49.00	2.15	73.10	2.50	85.00		
35	0.95	32.10	1.36	50.45	2.15	75.25	2.50	87.50		
36	0.95	32.86	1.36	51.70	2.15	77.40	2.45	88.20		
37	0.95	33.62	1.36	52.50	2.10	77.70	2.45	90.65		
38	0.95	34.38	1.36	53.00	2.10	79.80	2.40	91.20		
39	0.95	35.14	1.35	53.90	2.10	81.90	2.40	93.60		
40	0.90	35.90	1.35	54.40	2.05	82.00				
41	0.90	36.65	1.35	55.75	2.05	84.05				
42	0.90	37.40	1.34	57.09	2.05	86.10				
43	0.90	38.15	1.34	58.43	2.02	86.90				
44	0.90	38.90	1.33	59.76	2.00	88.00				
45	0.90	39.65	1.33	61.07	2.00	90.00				
46	0.90	40.40	1.32	61.97	1.96	90.20				
47	0.90	41.15	1.32	62.70	1.95	91.65				
48	0.90	41.90	1.31	63.50	1.95	93.60				
49	0.90	42.65	1.31	64.05						
50	0.90	43.40	1.30	64.80						
51-60	0.85	50.50	1.30 - 1.25	65.20 - 70.80						
61-70	0.80	56.20	1.25 - 1.20	71.00 - 76.20						
71-80	0.75	64.50	1.20 - 1.10	77.00 - 81.60						
81-90	0.72	65.50	1.10 - 1.00	82.00 - 86.20						
91-100	0.70	69.30	1.00 - 0.95	87.00 - 91.40						



Lens options / light transmission percentage per lens

- C**  
Clear
- HF**  
Half (50%)  
Frosted
- G**  
Graze
- SI**  
Satin Ice
- S**  
Square  
Frosted
- Q**  
Round Square  
Frosted
- F**  
Frosted
- M**  
Medium Beam  
Frosted
- R**  
Raised
- C36**  
Clear 36°  
Beam Angle
- C10**  
Clear 10°  
Beam Angle

<p><b>KS Channel (KSC-XX)</b></p> <p><b>C F HF C36 R</b> 85% 55% 72% 83% 51%</p>	<p><b>KM Channel (KMC-XX)</b></p> <p><b>C F HF C10 R</b> 71% 42% 58% 67% 39%</p>	<p><b>K45V Channel (K45VC-XX)</b></p> <p><b>C F HF C10</b> 71% 42% 58% 67%</p>	<p><b>K45R Channel (K45RC-XX)</b></p> <p><b>F</b> 42%</p>	<p><b>BOS Channel (BOSC-XX)</b></p> <p><b>F SI R G</b> 43% 56% 46% 67%</p>
<p><b>KL Channel (KLC-XX)</b></p> <p><b>C F HF</b> 83% 55% 68%</p>	<p><b>KXL Channel (KXLC-XX)</b></p> <p><b>C F HF</b> 74% 46% 61%</p>	<p><b>CLA Channel (CLAC-XX)</b></p> <p><b>S Q</b> 62% 63%</p>	<p><b>ALC Channel (ALC-XX)</b></p> <p><b>C F HF</b> 79% 58% 69%</p>	<p><b>KRS Channel (KRSC-XX)</b></p> <p><b>C F HF</b> 85% 55% 72%</p>
<p><b>KRM Channel (KRMC-XX)</b></p> <p><b>C F HF</b> 71% 42% 58%</p>	<p><b>KRL Channel (KRLC-XX)</b></p> <p><b>C F HF</b> 83% 55% 68%</p>	<p><b>KRXL Channel (KRXLC-XX)</b></p> <p><b>C F HF</b> 74% 46% 61%</p>	<p><b>Wall+ Channel (WPC-XX)</b></p> <p><b>C F</b> 47% 44%</p>	<p><b>RO Channel (RO-XX)</b></p> <p><b>C F</b> 75% 52%</p>
<p><b>ALS20 Channel (ALS20-XX)</b></p> <p><b>C F</b> 78% 43%</p>	<p><b>FL Channel (FL-XX)</b></p> <p><b>C F HF</b> 85% 63% 75%</p>			

**Installation**

All mounting channels are field cuttable using miter saw with circular blade suitable for cutting aluminum.

**Ordering**

Extrusions are sold separately. View respective specsheets for details on ordering extrusions and their accessories (endcaps, mounting brackets, etc).

**Discontinued Extrusion Reference Link**

<https://www.luminii.com/media/4351/extrusion-update-02.pdf>

**LED Dotting per extrusion**

using the frosted lens option

extrusion	LED Models				
	LL9	LL18	LL30	LL36	LL54
KSC, KRSC, FL, ALC	CD	CD	CD	CD	SD
KMC, KRMC, K45VC, K45RC	CD	SD	SD	ND	ND
KXLC, KRXLC	CD	CD	SD	ND	ND
KLC, KRLC	CD	CD	CD	CD	SD
WPC	CD	CD	SD	ND	ND
RO, ALS20	CD	SD	ND	ND	ND
BOSC	CD	CD	SD	SD	ND
CLAC	CD	SD	ND	ND	ND

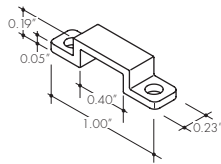


Clear Slight NO  
Dotting Dotting Dotting  
(CD) (SD) (ND)

Accessories

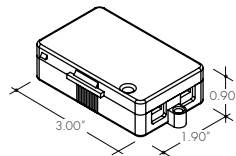
Part # CL-1

Mounting clip:  
recommended at every 12" when  
LineLED strip is facing down.



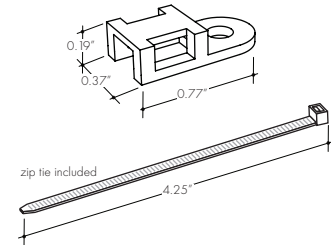
Part # LVSP-4T-BK

Splice Box:  
low voltage, 4 terminal splice box, black.



Part # LL.ZIP

Strain Relief Clip



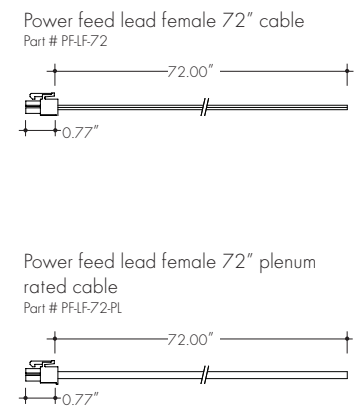
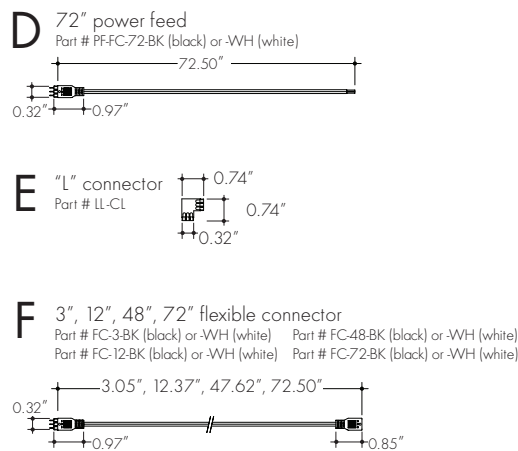
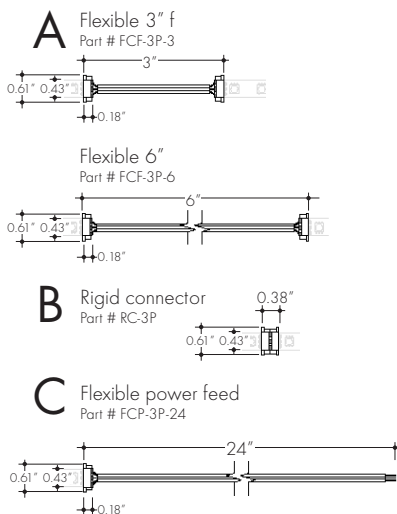
Connectors

Field-cut connectors A,B,C (not compatible with the LL54 models)

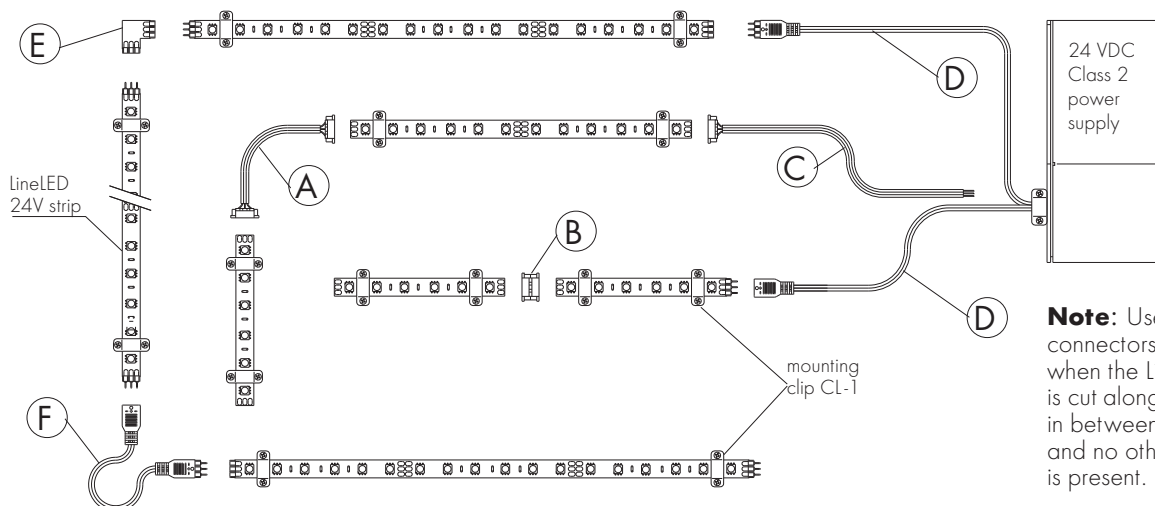
(Reference dimensions below to determine if connector will fit inside of your extrusion. If so surface with contact of connector & extrusion must be insulated to prevent an electrical short)

3-pin connectors D,E,F (not compatible with the LL54 models)

(Reference dimensions below to determine if connector will fit inside of your extrusion. Connectors will not fit inside of the KSC, KRSC, BOSC, & ALC Channel)



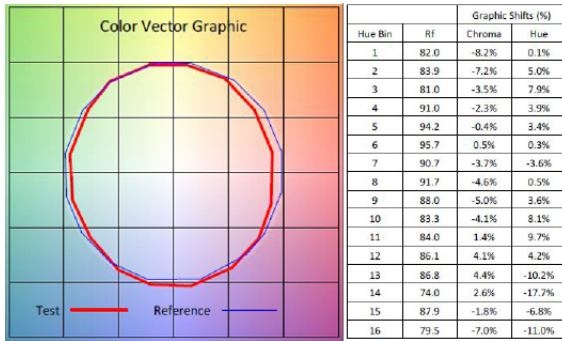
Sample layout with connectors



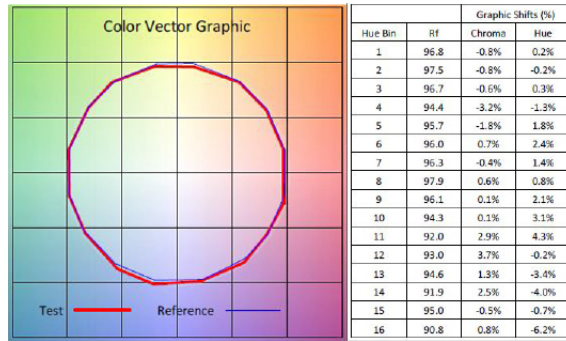
**Note:** Use field-cut connectors (A,B,C) when the LineLED strip is cut along cutting lines in between solder pads and no other connector is present.

TM-30-15: Data

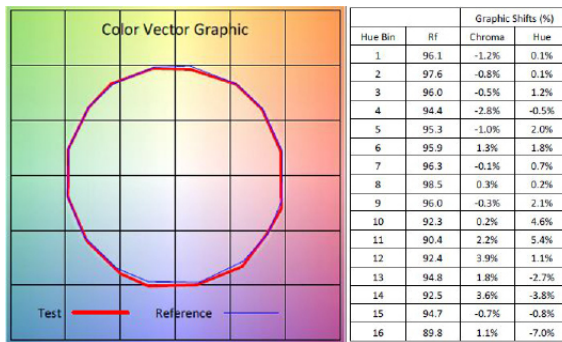
22K CCT



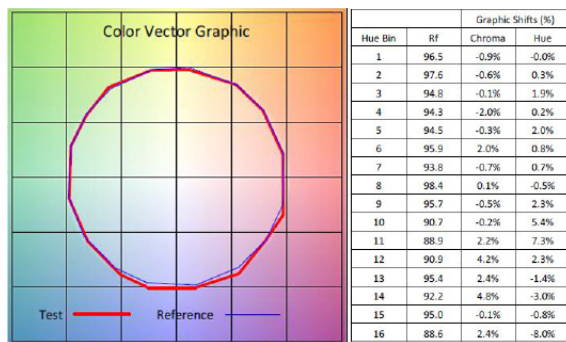
24K CCT



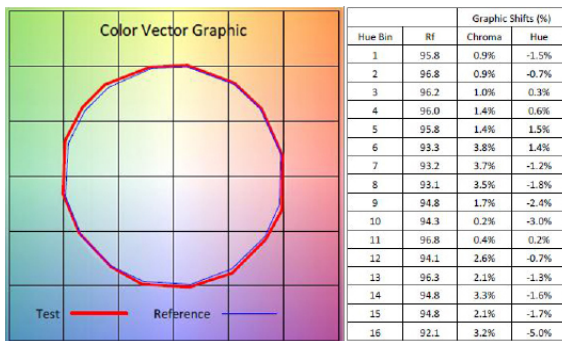
27K CCT



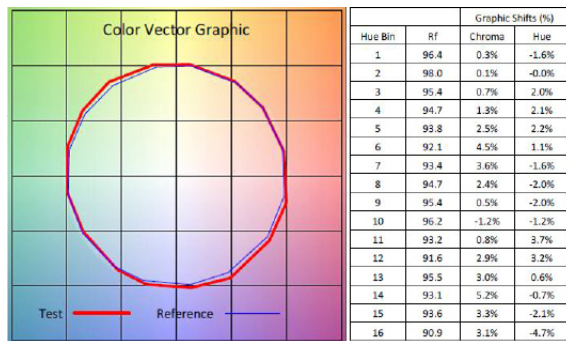
29K CCT



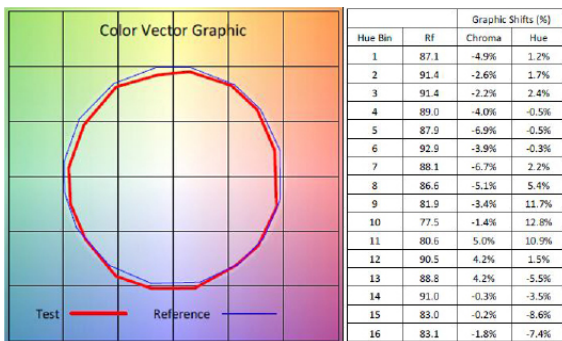
30K CCT



35K CCT



41K CCT



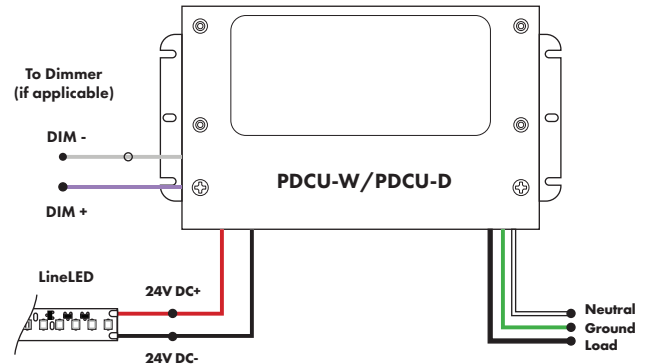
## Power Supply

See fixture and power supply instructions & spec sheet for wiring information. Dimming possible in select models - view Luminii website for list of compatible dimmers.

### Universal Power Supply

MODEL	POWER	OUTPUT
<b>PDCU-W</b>	<b>96</b>	<b>24</b>
PDCU-W - IP66 Wet Series	96 - 96 W 3X96 - 3X96 W	24 - 24 VDC
PDCU-D - IP20 Dry Series	30 - 30 W 60 - 60 W 96 - 96 W 3X96 - 3X96 W	

0-10V - 1% dimming  
MLV/ELV/TRIAC - 1% dimming, consult dimming compatibility chart  
Compatibility:  
View a complete list of compatible dimmers on product page ([Link](#))

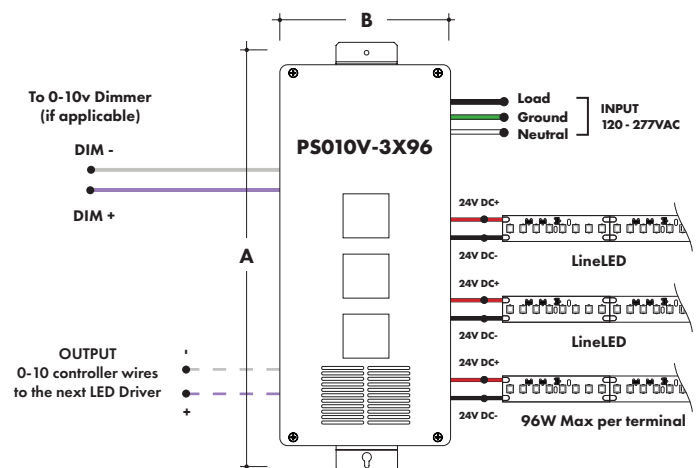
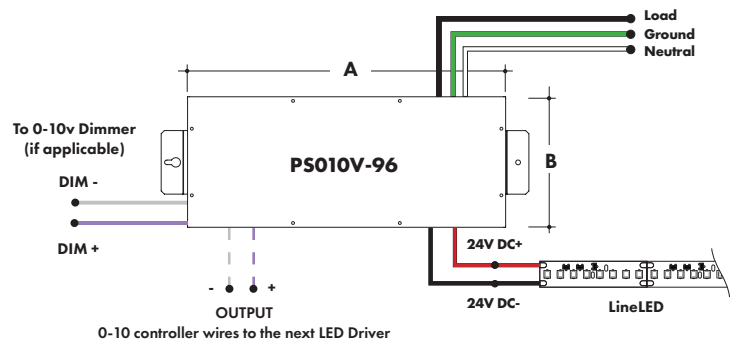


MODELS	PDCU-W 96W	PDCU-W 3X96W	PDCU-D 30W	PDCU-D 60W	PDCU-D 96W	PDCU-D 3X96W
<b>A Length</b>	8.66"	11.85"	6.10"	7.93"	8.25"	9.57"
<b>B Width</b>	3.73"	4.32"	3.35"	3.35"	4.10"	5.94"
<b>Depth</b>	1.61"	1.81"	1.33"	1.32"	1.56"	1.13"

### 0-10V Dimming Power Supplies

MODEL	POWER	OUTPUT	DIMMING
<b>PS010V</b>	<b>96</b>	<b>24</b>	<b>LIN</b>
PS010V - 0-10V Power Supply dims down to 0%	96 - 96 Watt 3X96 - 3 X 96 Watt	24 - 24 VDC	LIN - Linear LOG - Logarithmic

MODELS	96W	3X96
<b>A Length</b>	14.40"	15.75"
<b>B Width</b>	5.20"	6.62"
<b>Depth</b>	2.60"	4.95"



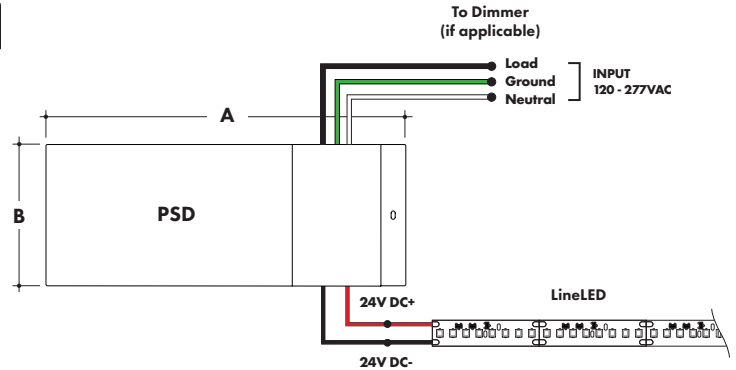
## Power Supply

See fixture and power supply instructions & spec sheet for wiring information. Dimming possible in select models - view Luminii website for list of compatible dimmers.

### Magnetic Low Voltage Dimming Power Supplies

MODEL	POWER	OUTPUT	INPUT
<b>PSD</b>	<b>48</b>	<b>24</b>	
PSD - PSD Series dims down to 0%	48 - 48 Watt 96 - 96 Watt 288 - 288 Watt (3 x 96Watt)	24 - 24 VDC	Blank - 120 V 240 - 240 V 277 - 277 V

MODELS	48W	96W	288W
<b>A Length</b>	11.25"	11.25"	13.06"
<b>B Width</b>	3.42"	3.42"	8.42"
<b>Depth</b>	3.42"	3.27"	4.47"

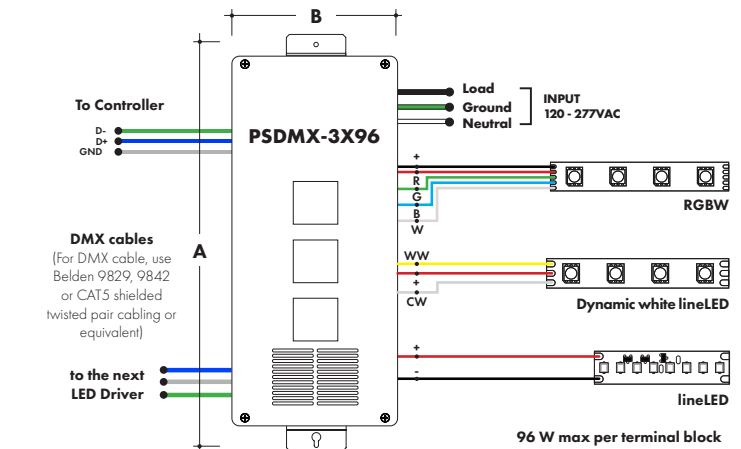
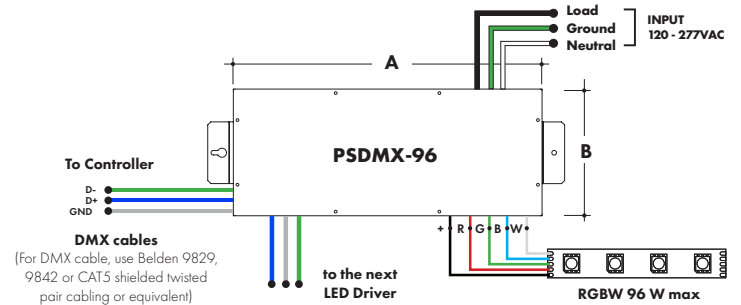


### DMX Dimming Power Supplies

MODEL	POWER	OUTPUT
<b>PSDMX</b>	<b>96</b>	<b>24</b>
PSDMX - DMX Power Supply	96 - 96 Watt 3X96 - 3 X 96 Watt	24 - 24 VDC

Features eldoLED's LINEARdrive configurable dimmable drivers

MODELS	96W	3X96
<b>A Length</b>	14.40"	15.75"
<b>B Width</b>	5.20"	6.62"
<b>Depth</b>	2.60"	4.95"



### Power Supply

See fixture and power supply instructions & spec sheet for wiring information. Dimming possible in select models - view Luminii website for list of compatible dimmers.

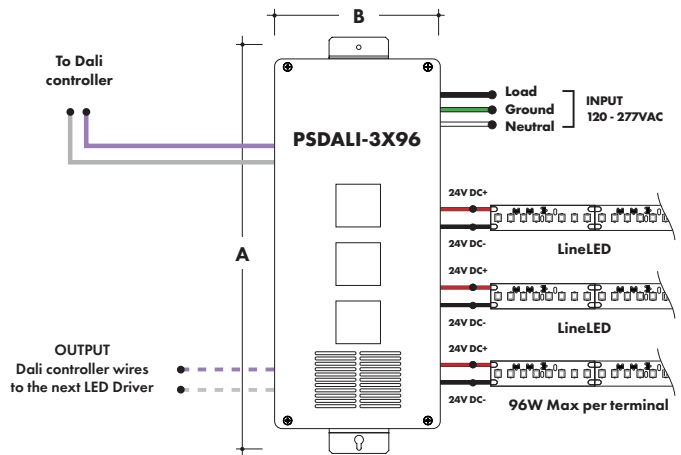
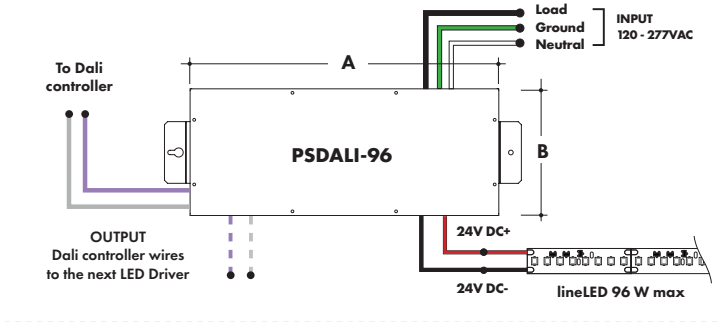
#### DALI Dimming Power Supplies

MODEL	POWER	OUTPUT
<b>PSDALI</b>	<b>96</b>	<b>24</b>

PSDALI - DALI Power Supply  
dims down to 0%  
96 - 96 Watt  
3X96 - 3 X 96 Watt  
24 - 24 VDC

Features eldoLED's LINEARdrive configurable dimmable drivers

MODELS	96W	3X96
<b>A Length</b>	14.40"	15.75"
<b>B Width</b>	5.20"	6.62"
<b>Depth</b>	2.60"	4.95"

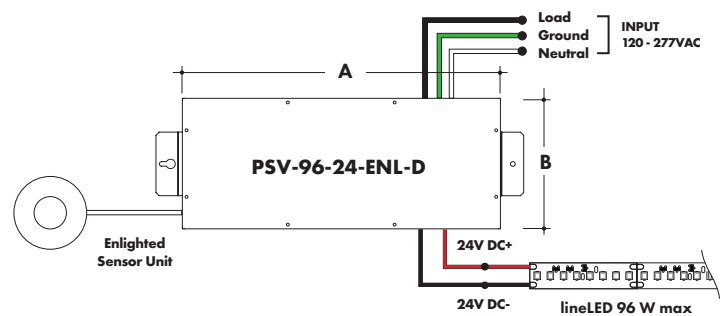


#### Enlighted Enabled Dimming Power Supplies:

MODEL	POWER	OUTPUT	DIMMING	LOCATION
<b>PSV</b>	<b>96</b>	<b>24</b>	<b>ENL</b>	<b>D</b>

PSV - PSV Series 96 - 96 Watt 24 - 24 VDC ENL - Enlighted Dimming D - Damp

MODELS	96W
<b>A Length</b>	14.40"
<b>B Width</b>	5.20"
<b>Depth</b>	2.60"

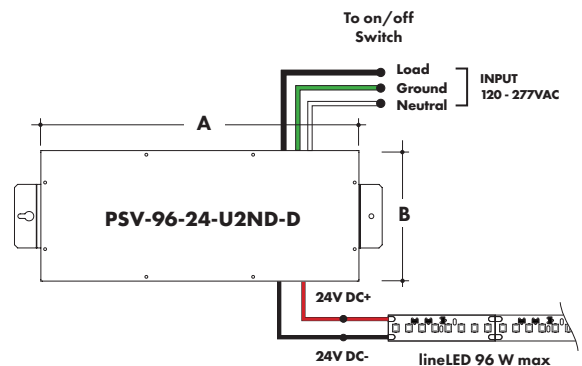


#### Non-Dimming Power Supply

MODEL	POWER	OUTPUT	DIMMING	LOCATION
<b>PSV</b>	<b>96</b>	<b>24</b>	<b>U2ND</b>	<b>D</b>

PSV - PSV Series 96 - 96 Watt 24 - 24 VDC U2ND - Non Dimming D - Damp

MODELS	96W
<b>A Length</b>	14.40"
<b>B Width</b>	5.20"
<b>Depth</b>	2.60"





**Power Supply**

See fixture and power supply instructions & spec sheet for wiring information. Dimming possible in select models - view Luminii website for list of compatible dimmers.



Luminii is a Lutron OEM Advantage Partner

MODEL

**LTEA4U1UKL-CV240**

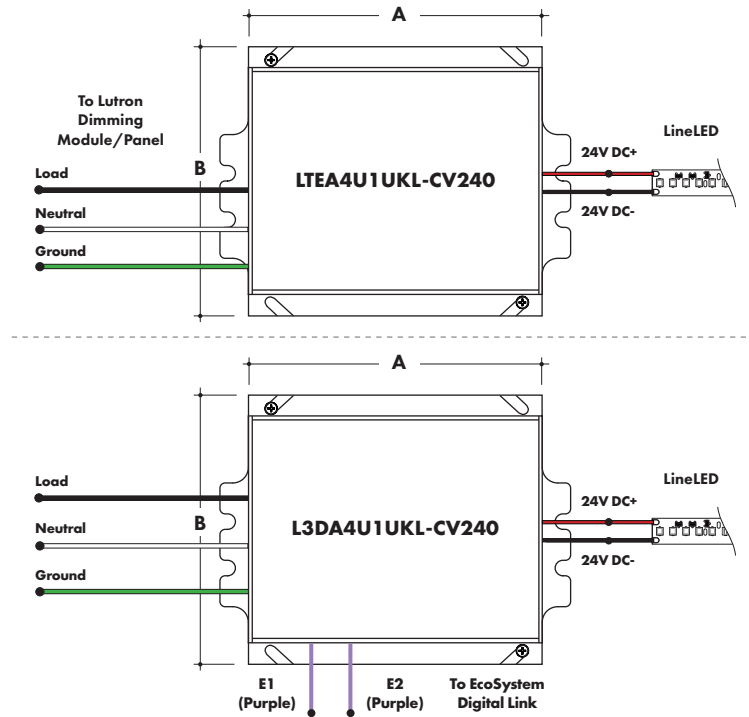
Lutron - HiLume™ 1% 2-wire LED Driver  
(120V forward phase only)

MODEL

**L3DA4U1UKL-CV240**

HiLume™ 1% EcoSystem Voltage LED driver

MODELS	LTEA4U1UKL-CV240	L3DA4U1UKL-CV240
<b>A Length</b>	4.89"	4.98"
<b>B Width</b>	4.00"	4.00"
<b>Depth</b>	2.62"	2.62"



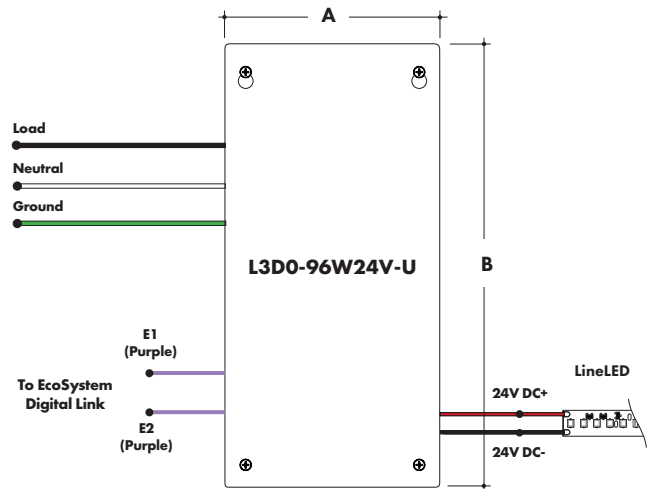
Luminii is a Lutron OEM Advantage Partner

MODEL

**L3D0-96W24V-U**

HiLume™ 0.1% EcoSystem Voltage LED Driver with Soft-On, Fade-to-Black™

MODELS	L3D0
<b>A Length</b>	10.50"
<b>B Width</b>	5.50"
<b>Depth</b>	2.00"



### Power Supply

See fixture and power supply instructions & spec sheet for wiring information. Dimming possible in select models - view Luminii website for list of compatible dimmers.

#### In ground, Electronic Low Voltage Dimming Power Supplies

MODEL	POWER	OUTPUT	INPUT
<b>IG</b> - CVE	<b>96X2</b>	<b>24</b>	Blank - 120 V 277 - 240/277 V
IG - In ground CVE Series	96X2 - 2 X 96 Watt	24 - 24 VDC	
CVE - ELV Dimming DALI - eldoLED Dali dimming			
Both dims down to 0.1%			

MODELS	Dual Circuit
<b>A Length</b>	8.40"
<b>B Width</b>	8.30"
<b>Depth</b>	8.10"

