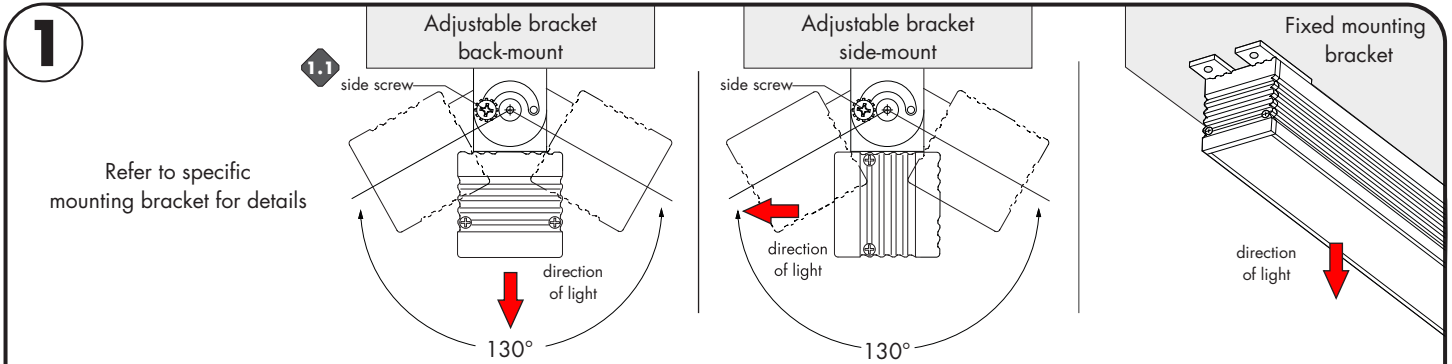


Kilo GW- Installation Instructions

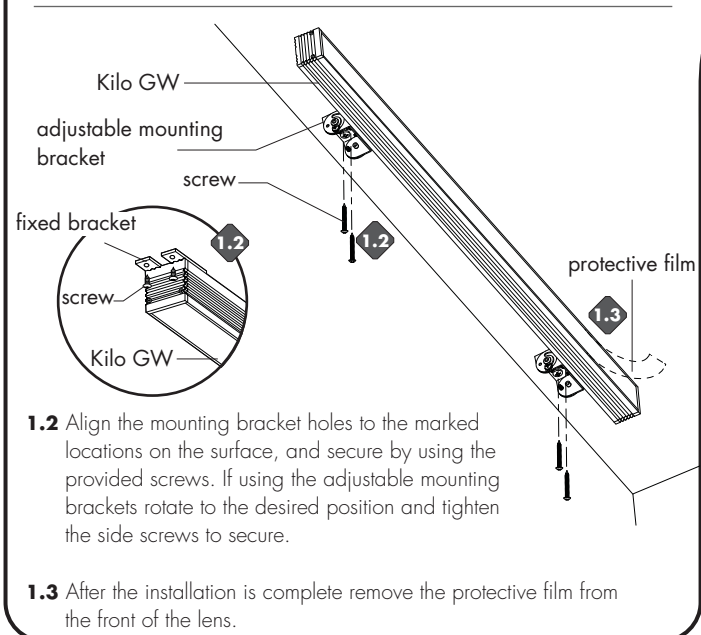
Models KGW-

Please read all instructions prior to installation and keep for future reference!

1. PRODUCT TO BE INSTALLED BY A QUALIFIED ELECTRICIAN.
2. USE ONLY WITH CLASS 2 POWER UNIT
3. 24 VOLTS DC
4. SUITABLE FOR DAMP LOCATIONS
5. SURFACE MOUNT ONLY
6. SUITABLE FOR INSTALLATION WITHIN THE CLOSET STORAGE SPACE
7. TYPE IC
8. INHERENTLY PROTECTED

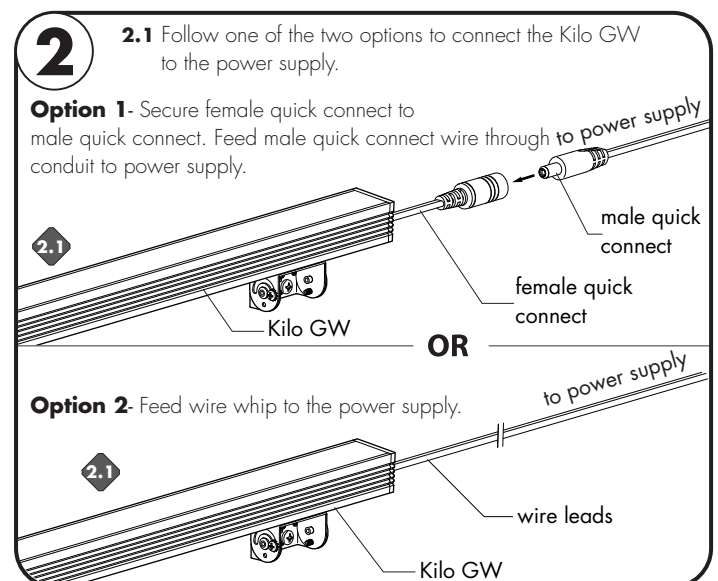


1.1 Determine the location of the install. Use the pre-installed mounting bracket holes as a guide, then mark the desired location. If using adjustable mounting brackets, side screws must be loosen to rotate.



1.2 Align the mounting bracket holes to the marked locations on the surface, and secure by using the provided screws. If using the adjustable mounting brackets rotate to the desired position and tighten the side screws to secure.

1.3 After the installation is complete remove the protective film from the front of the lens.

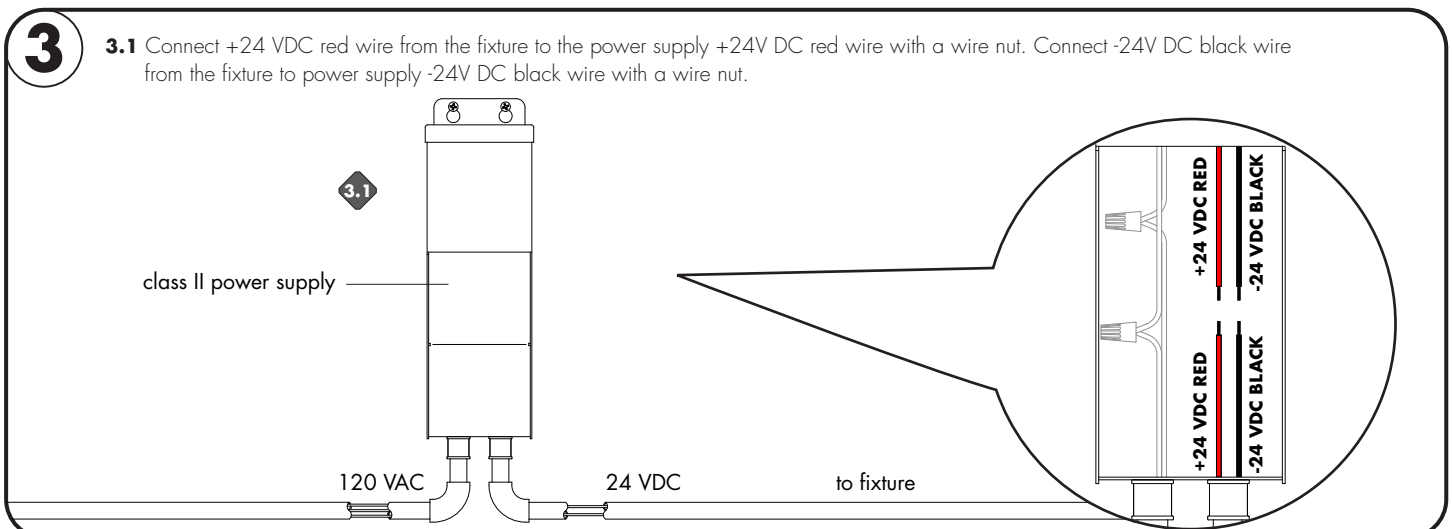


2.1 Follow one of the two options to connect the Kilo GW to the power supply.

Option 1- Secure female quick connect to male quick connect. Feed male quick connect wire through to power supply.

OR

Option 2- Feed wire whip to the power supply.



3.1 Connect +24 VDC red wire from the fixture to the power supply +24V DC red wire with a wire nut. Connect -24V DC black wire from the fixture to power supply -24V DC black wire with a wire nut.

Kilo GW- Installation Instructions

Models KGW-

Please read all instructions prior to installation and keep for future reference!

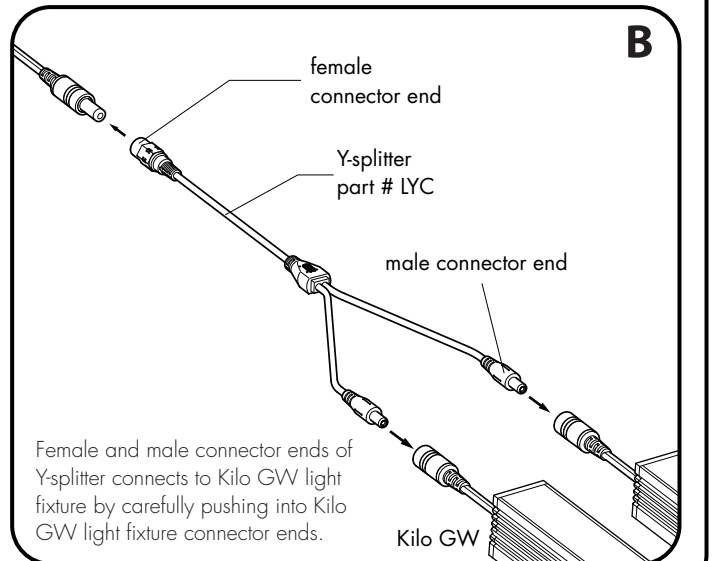
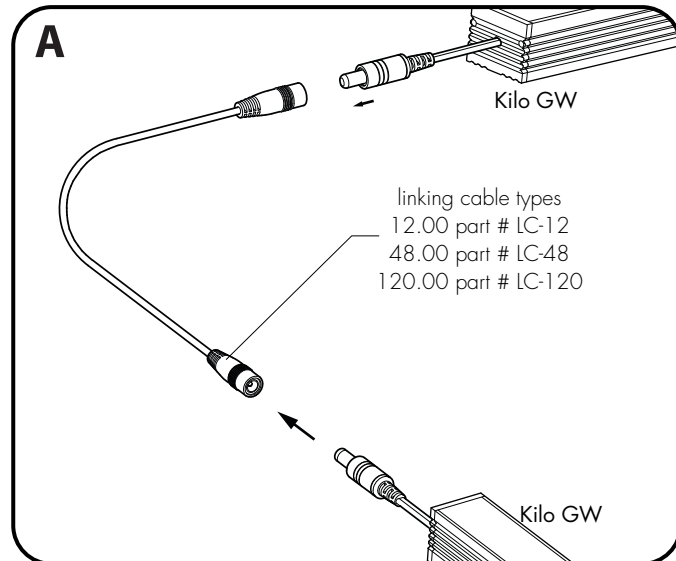
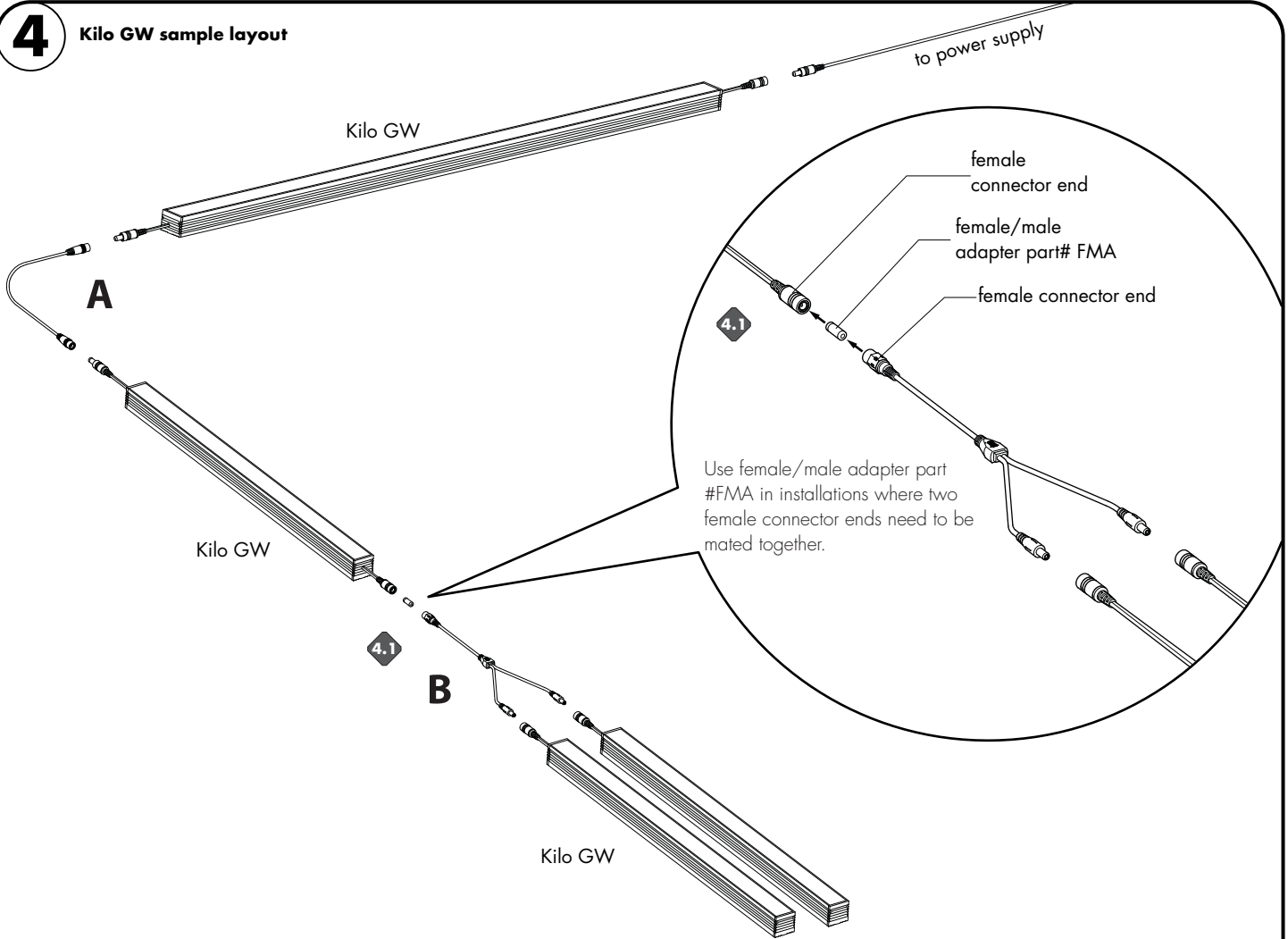
1. PRODUCT TO BE INSTALLED BY A QUALIFIED ELECTRICIAN.
2. USE ONLY WITH CLASS 2 POWER UNIT
3. 24 VOLTS DC
4. SUITABLE FOR DAMP LOCATIONS
5. SURFACE MOUNT ONLY
6. SUITABLE FOR INSTALLATION WITHIN THE CLOSET STORAGE SPACE
7. TYPE IC
8. INHERENTLY PROTECTED



luminii

7777 Merrimac Ave
Niles, IL 60714
T 224.333.6033
F 224.757.7557
info@luminii.com
www.luminii.com

4 Kilo GW sample layout



Kilo GW- Installation Instructions

Models KGW-



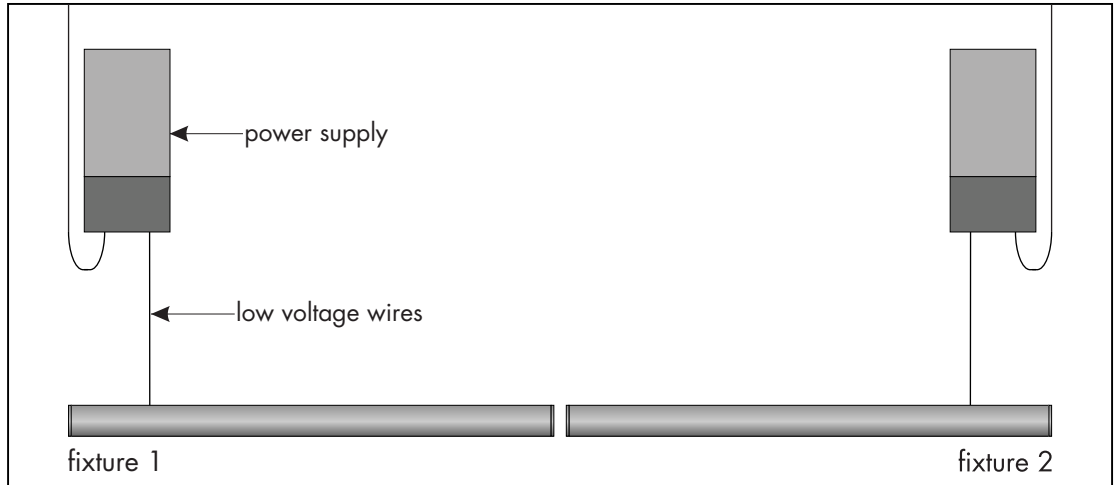
7777 Merrimac Ave
Niles, IL 60714
T 224.333.6033
F 224.757.7557
info@luminii.com
www.luminii.com

Please read all instructions prior to installation and keep for future reference!

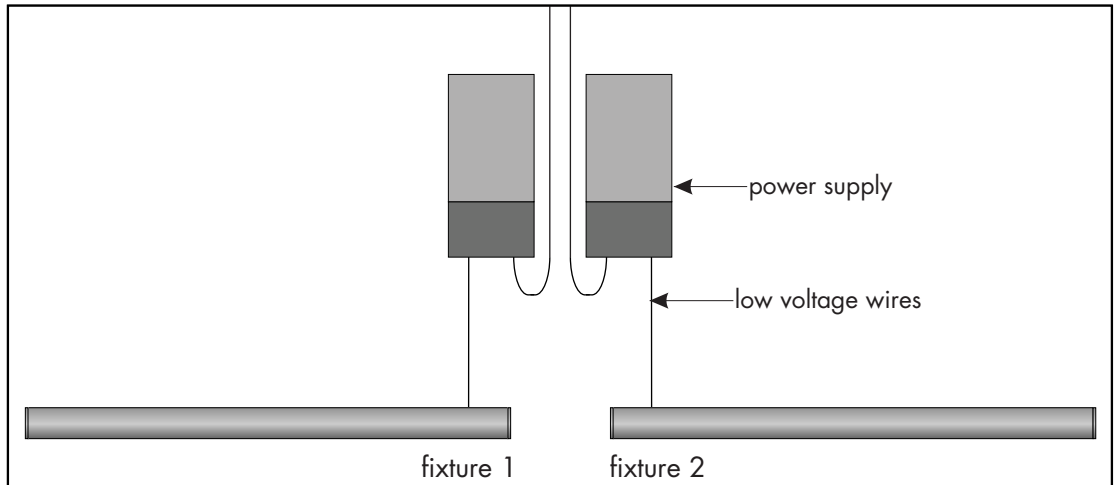
1. PRODUCT TO BE INSTALLED BY A QUALIFIED ELECTRICIAN.
2. USE ONLY WITH CLASS 2 POWER UNIT
3. 24 VOLTS DC
4. SUITABLE FOR DAMP LOCATIONS
5. SURFACE MOUNT ONLY
6. SUITABLE FOR INSTALLATION WITHIN THE CLOSET STORAGE SPACE
7. TYPE IC
8. INHERENTLY PROTECTED

multiple powerfeed layouts

power supplies at the end of the run



power supplies in the middle of the run



consecutive layout, NOT RECOMMENDED

