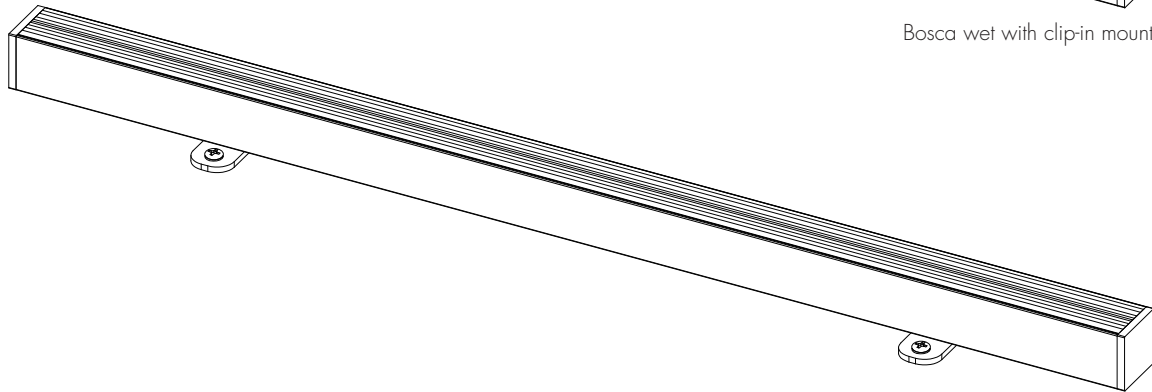
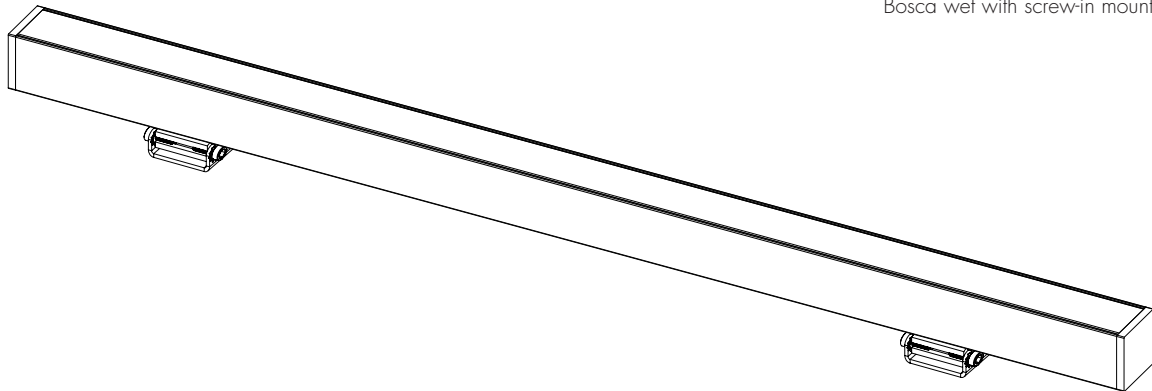


Bosca wet with clip-in mount



Bosca wet with screw-in mount



Bosca wet with adjustable hinge mounting

Instruction page index:

Clip-in installation	2
Screw-in installation	3
Adjustable hinge mounting installation	4
Power feed layout guide	5

Bosca Wet - Installation Instructions

Models BOSW-XX-C-XX



7777 Merrimac Ave
Niles, IL 60714
T 224.333.6033
F 224.757.7557
info@luminii.com
www.luminii.com



Please read all instructions prior to installation and keep for future reference!

1. PRODUCT TO BE INSTALLED BY A QUALIFIED ELECTRICIAN.
2. USE ONLY WITH CLASS 2 POWER UNIT
3. 24 VOLTS DC
4. SURFACE MOUNT ONLY
5. SUITABLE FOR WET LOCATIONS, MUST USE APPROPRIATE WEATHERPROOF RATED WIRE CONNECTORS.
6. SUITABLE FOR INSTALLATION WITHIN THE CLOSET STORAGE SPACE
7. INHERENTLY PROTECTED

Clip-in installation

1

Note: Prior to installation all 24VDC wires must be present near fixture. Refer to the power supply installation instruction for additional information.
Note: More than one person is recommended for this installation.

1.1 Carefully remove the mounting channel from the back of the fixture. Mounting channel is 1/2" shorter per wire lead /connector for easy wire management.

2

2.1 Determine the location of the fixture. Then secure the mounting channel to the surface with the provided mounting screws. **When installing the mounting channel take into consideration the 1/2" shorter per wire lead/connector.**

2.2 Install mounting screws every 6 inches to the center of the mounting channel.

3

3.1 Follow connector dimensions below and drill hole through surface. Insert wire lead/connector through surface & snap fixture into the mounting channel to secure in place.

3.2 Follow one of the two options to connect the fixture to the power supply.

Option 1- Secure female quick connect to male quick connect. Feed male quick connect wire through conduit to power supply.

OR

Option 2- Feed wire whip to the power supply.

4

4.1 Connect +24 VDC red wire from the fixture to the power supply +24 VDC red wire with a wire nut. Connect -24VDC black wire from the fixture to power supply -24VDC black wire with a wire nut.

Bosca Wet - Installation Instructions

Models BOSW-XX-SC-XX



7777 Merrimac Ave
Niles, IL 60714
T 224.333.6033
F 224.757.7557
info@luminii.com
www.luminii.com



Please read all instructions prior to installation and keep for future reference!

1. PRODUCT TO BE INSTALLED BY A QUALIFIED ELECTRICIAN.
2. USE ONLY WITH CLASS 2 POWER UNIT
3. 24 VOLTS DC
4. SURFACE MOUNT ONLY
5. SUITABLE FOR WET LOCATIONS, MUST USE APPROPRIATE WEATHERPROOF RATED WIRE CONNECTORS.
6. SUITABLE FOR INSTALLATION WITHIN THE CLOSET STORAGE SPACE
7. INHERENTLY PROTECTED

Screw-in installation

1

1.1

1.1 Line up mounting bracket to the back on the fixture. Slightly insert the edge of the clip into the extrusion. Then rotate and push clip in until you feel a click. Follow by tightening each mounting bracket set screw using the Allen wrench (provided). Make sure the mounting clips are evenly distributed throughout the complete fixture.

2

2.1

2.1

Note: Prior to installation all 24VDC wires must be present near fixture. Refer to the power supply installation instruction for additional information.
Note: More than one person is recommended for this installation.

2.1 Determine the location of the fixture. Then secure the fixture to the surface using the provided mounting screws.

3

3.1 Follow one of the two options to connect the fixture to the power supply.

Option 1- Secure female quick connect to male quick connect. Feed male quick connect wire through conduit to power supply.

OR

Option 2- Feed wire whip to the power supply.

4

4.1 Connect +24 VDC red wire from the fixture to the power supply +24 VDC red wire with a wire nut. Connect -24VDC black wire from the fixture to power supply -24VDC black wire with a wire nut.

Bosca Wet - Installation Instructions

Models BOSW-XX-AH-XX



7777 Merrimac Ave
Niles, IL 60714
T 224.333.6033
F 224.757.7557
info@luminii.com
www.luminii.com



Please read all instructions prior to installation and keep for future reference!

1. PRODUCT TO BE INSTALLED BY A QUALIFIED ELECTRICIAN.
2. USE ONLY WITH CLASS 2 POWER UNIT
3. 24 VOLTS DC
4. SURFACE MOUNT ONLY
5. SUITABLE FOR WET LOCATIONS, MUST USE APPROPRIATE WEATHERPROOF RATED WIRE CONNECTORS.
6. SUITABLE FOR INSTALLATION WITHIN THE CLOSET STORAGE SPACE
7. INHERENTLY PROTECTED

Adjustable hinge installation

1

1.1 Slightly loosen both screws on the sides of the hinge bracket. Rotate the fixture to expose mounting hole.

2

Note: Prior to installation all 24VDC wires must be present near fixture. Refer to the power supply installation instruction for additional information.

Note: More than one person is recommended for this installation.

- 2.1** Determine the location of the fixture. Then secure the fixture to the surface using the provided mounting screws.
- 2.2** Rotate the fixture to the desired angle then tighten the side screws to secure.

3

3.1 Follow one of the two options to connect the fixture to the power supply.

Option 1- Secure female quick connect to male quick connect. Feed male quick connect wire through conduit to power supply.

OR

Option 2- Feed wire whip to the power supply.

4

4.1 Connect +24 VDC red wire from the fixture to the power supply +24 VDC red wire with a wire nut. Connect -24VDC black wire from the fixture to power supply -24VDC black wire with a wire nut.

Bosca Wet - Installation Instructions

Models BOSW-XX

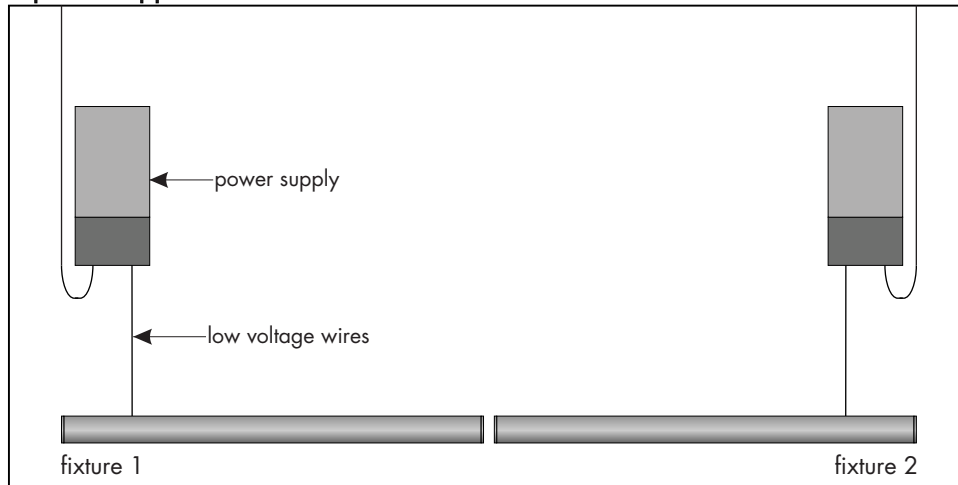


Please read all instructions prior to installation and keep for future reference!

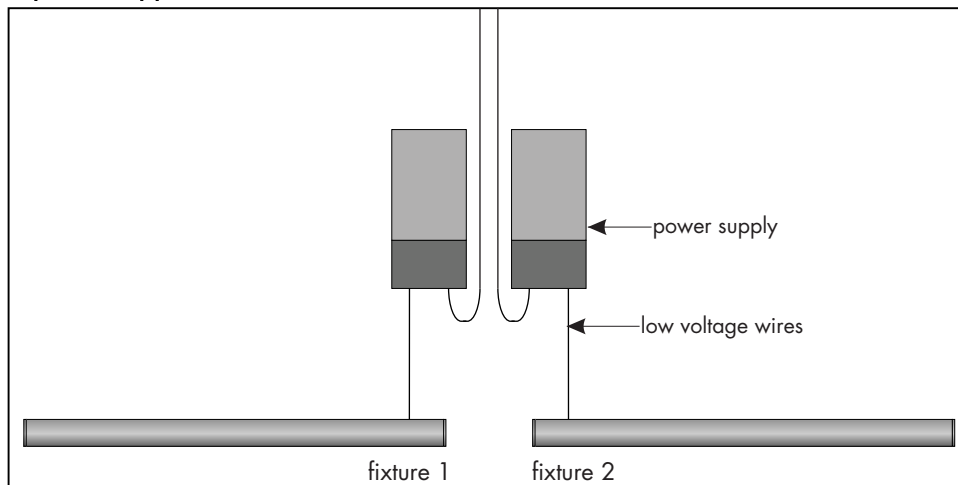
1. PRODUCT TO BE INSTALLED BY A QUALIFIED ELECTRICIAN.
2. USE ONLY WITH CLASS 2 POWER UNIT
3. 24 VOLTS DC
4. SURFACE MOUNT ONLY
5. SUITABLE FOR WET LOCATIONS, MUST USE APPROPRIATE WEATHERPROOF RATED WIRE CONNECTORS.
6. SUITABLE FOR INSTALLATION WITHIN THE CLOSET STORAGE SPACE
7. INHERENTLY PROTECTED

Multiple power feed layout guide

power supplies at the end of the run



power supplies in the middle of the run



consecutive layout, **NOT RECOMMENDED**

