

# Stenos Installation Instructions

## Trimless Recessed Track

Please read all instructions prior to installation and keep for future reference!

1. Product to be installed by a qualified electrician
2. Use only with class 2 power unit
3. 24 Volts DC
4. Suitable for dry locations only
5. Type IC (Ceiling and Wall) Inherently Protected.
6. 96W max, 24ft max, and 3 Electrical Joiners max per power feed.
7. Mechanical Joiners and End Cap isolate power circuits. Electrical Joiners are used to continue power down the track.
8. System shapes and power feed locations shown are for reference only. Refer to custom drawing package for the particulars of a specific custom system.



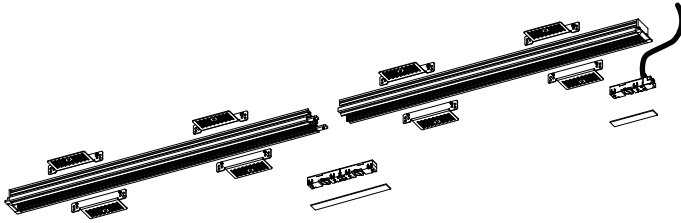
REVO.6  
10112023

1 / 27

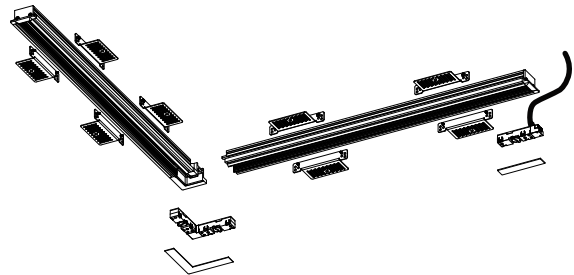


7777 Merrimac Ave  
Niles, IL 60714  
T 224.333.6033  
F 224.757.7557  
info@luminii.com  
www.luminii.com

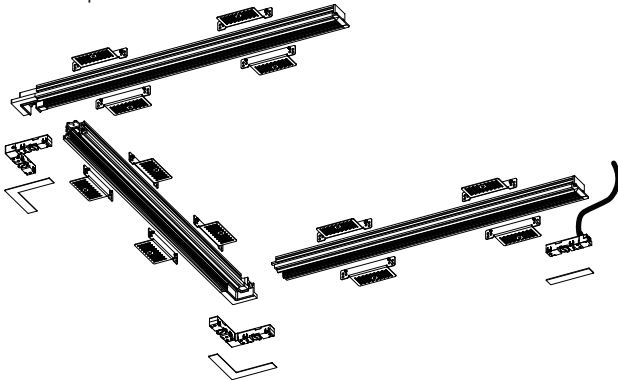
Straight Run



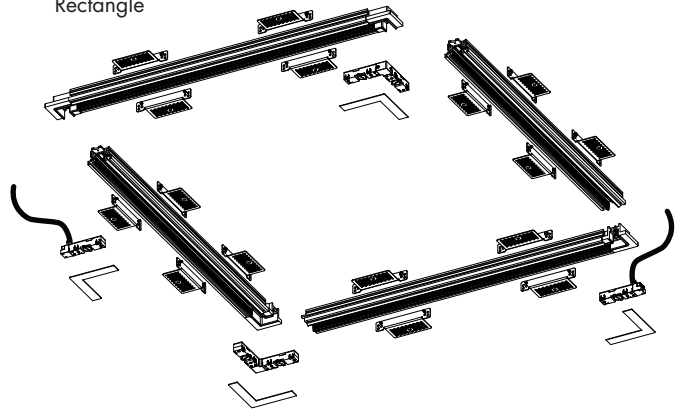
L Shape



U Shape



Rectangle



### Table of Contents

Section	Page
Straight Run	2
L Shape	6
U Shape	10
Rectangle	14



### IMPORTANT SAFETY INSTRUCTIONS!

WHEN INSTALLING OR USING THIS TRACK SYSTEM, BASIC SAFETY PRECAUTIONS SHOULD ALWAYS BE FOLLOWED, INCLUDING:

- A. READ ALL INSTRUCTIONS.
- B. DO NOT INSTALL THIS TRACK IN DAMP OR WET LOCATIONS.
- C. DO NOT INSTALL ANY PART OF THE TRACK SYSTEM LESS THAN 5 FEET ABOVE THE FLOOR.
- D. DO NOT INSTALL ANY LUMINAIRE ASSEMBLY CLOSER THAN 6 INCHES FROM ANY CURTAIN, OR SIMILAR COMBUSTIBLE MATERIAL.
- E. DISCONNECT ELECTRICAL POWER BEFORE ADDING TO OR CHANGING THE CONFIGURATION OF THE TRACK.
- F. DO NOT ATTEMPT TO ENERGIZE ANYTHING OTHER THAN LIGHTING TRACK LUMINAIRES ON THE TRACK. TO REDUCE THE RISK OF FIRE AND ELECTRIC SHOCK, DO NOT ATTEMPT TO CONNECT POWER TOOLS, EXTENSION CORDS, APPLIANCES, AND THE LIKE TO THE TRACK.

# Stenos Installation Instructions

## Trimless Recessed Track

Please read all instructions prior to installation and keep for future reference!

1. Product to be installed by a qualified electrician
2. Use only with class 2 power unit
3. 24 Volts DC
4. Suitable for dry locations only
5. Type IC (Ceiling and Wall) Inherently Protected.
6. 96W max, 24ft max, and 3 Electrical Joiners max per power feed.
7. Mechanical Joiners and End Cap isolate power circuits. Electrical Joiners are used to continue power down the track.
8. System shapes and power feed locations shown are for reference only. Refer to custom drawing package for the particulars of a specific custom system.



REVO.6  
10112023

2 / 27



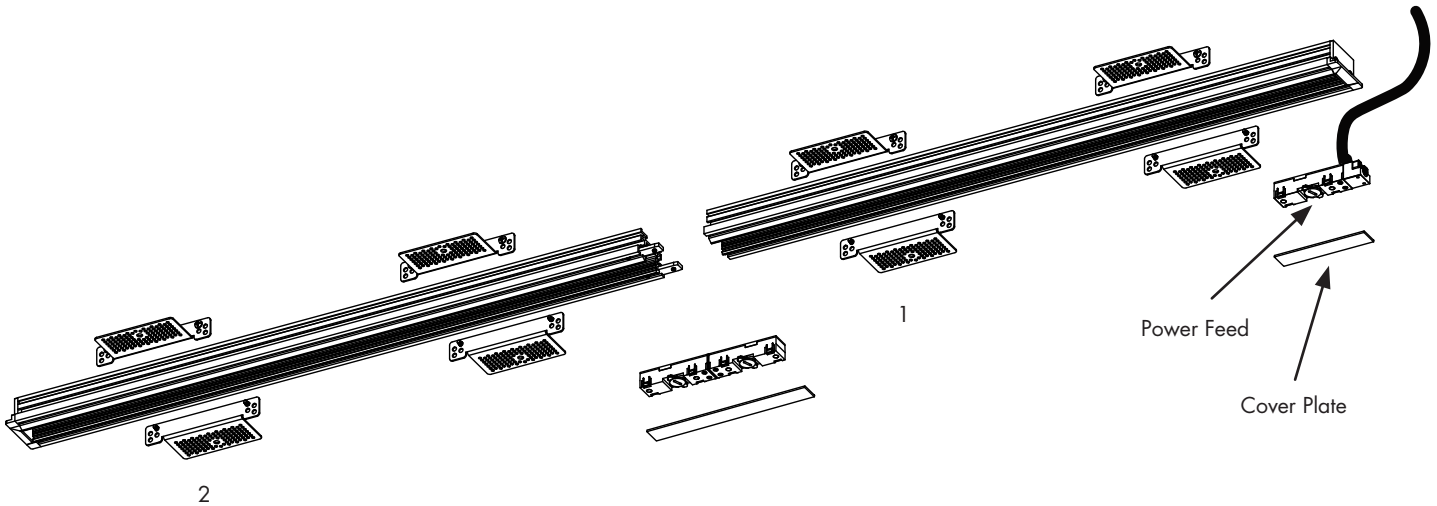
7777 Merrimac Ave  
Niles, IL 60714  
T 224.333.6033  
F 224.757.7557  
info@luminii.com  
www.luminii.com

## S - Trimless Recessed Track – Straight Run

### Track Installation Sequence

#### ATTENTION!

Make sure to install the tracks in the order that are specified on this page.



# Stenos Installation Instructions

## Trimless Recessed Track



7777 Merrimac Ave  
Niles, IL 60714  
T 224.333.6033  
F 224.757.7557  
info@luminii.com  
www.luminii.com

REVO.6  
10112023

3 / 27

Please read all instructions prior to installation and keep for future reference!

1. Product to be installed by a qualified electrician
2. Use only with class 2 power unit
3. 24 Volts DC
4. Suitable for dry locations only
5. Type IC (Ceiling and Wall) Inherently Protected.
6. 96W max, 24ft max, and 3 Electrical Joiners max per power feed.
7. Mechanical Joiners and End Cap isolate power circuits. Electrical Joiners are used to continue power down the track.
8. System shapes and power feed locations shown are for reference only. Refer to custom drawing package for the particulars of a specific custom system.

## Backer Flange Adjustment (if necessary)

**S.1**

Hole Location	Drywall Thickness
A	3/8"
B	1/2"
C	5/8"
D	3/4"

Hole Location	Drywall Thickness
E	7/8"
F	1"
G	1 1/8"
H	1 1/4"

**S.1** Backer flanges are pre-installed by the factory according to ceiling thickness. Refer to approved Custom Layout Drawing by Luminii. Adjustments can be made on-site if necessary with the following information.

**S.2** The two orientations of the backer flange are labeled as Orientation 1 and Orientation 2.

Track Length	# of Backer Flanges
4ft	8 (4 on each side of track)
8ft	14 (7 on each side)
12ft	18 (9 on each side)

**S.3** Backer flanges should be located 3-4" from each end and spaced apart no greater than 18". All measurements are from the centerline of the backer flange.

**S.4**

ORIENTATION 1  
HOLE LOCATION A

ORIENTATION 1  
HOLE LOCATION D

ORIENTATION 2  
HOLE LOCATION E

ORIENTATION 2  
HOLE LOCATION H

**S.4** Wood blocking is required to mount the track. **NOTE: If layout is meant to cross joists, wood blocking and ceiling thickness may impact overall ceiling/room height. Modify/lower ceiling structure according to local building codes.**

# Stenos Installation Instructions

## Trimless Recessed Track

Please read all instructions prior to installation and keep for future reference!

1. Product to be installed by a qualified electrician
2. Use only with class 2 power unit
3. 24 Volts DC
4. Suitable for dry locations only
5. Type IC (Ceiling and Wall) Inherently Protected.
6. 96W max, 24ft max, and 3 Electrical Joiners max per power feed.
7. Mechanical Joiners and End Cap isolate power circuits. Electrical Joiners are used to continue power down the track.
8. System shapes and power feed locations shown are for reference only. Refer to custom drawing package for the particulars of a specific custom system.



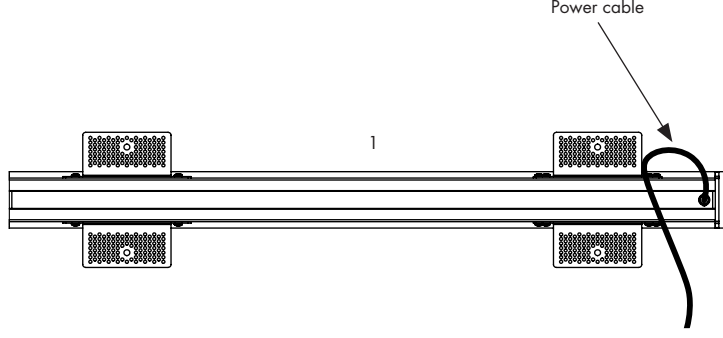
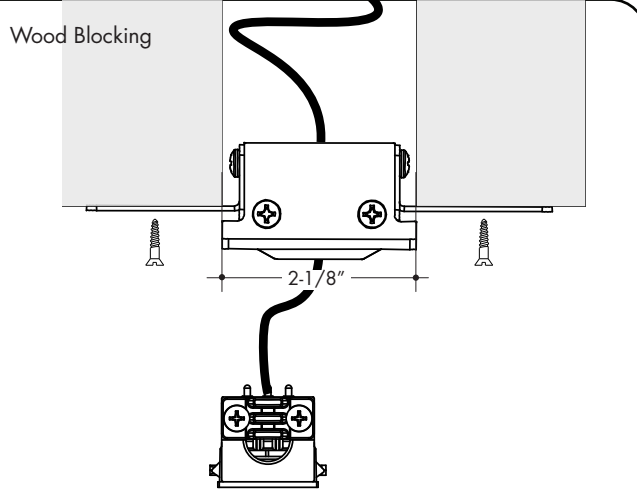
REVO.6  
10112023

4 / 27



7777 Merrimac Ave  
Niles, IL 60714  
T 224.333.6033  
F 224.757.7557  
info@luminii.com  
www.luminii.com

## Ceiling Blocking and Track Mounting

<p><b>S.5</b></p> 	
<p><b>S.5</b> Give the power cable 8"-12" of slack protruding from the track for wiring.</p>	<p><b>S.6</b> Use wood blocking to create a 2-1/8" channel for the track to mount to. Refer to steps S.1-S.4 for track location and position with respect to ceiling thickness. Route power feed cable through pre-drilled hole in the track, maintaining the 8"-12" of slack. Fasten track to wood blocking using #6 flathead screws through each backer flange.</p>

# Stenos Installation Instructions

## Trimless Recessed Track



7777 Merrimac Ave  
Niles, IL 60714  
T 224.333.6033  
F 224.757.7557  
info@luminii.com  
www.luminii.com

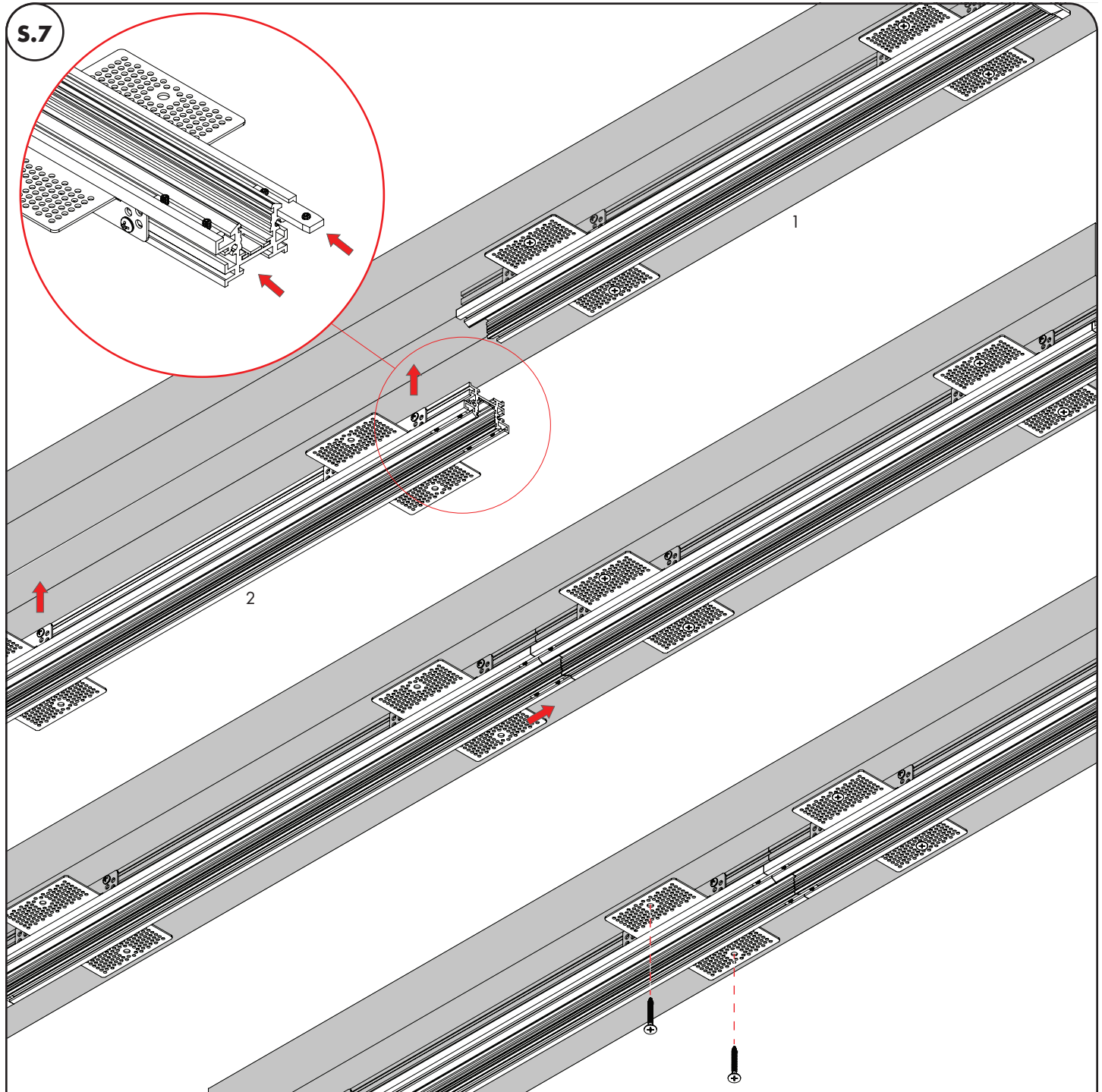
REVO.6  
10112023

5 / 27

Please read all instructions prior to installation and keep for future reference!

1. Product to be installed by a qualified electrician
2. Use only with class 2 power unit
3. 24 Volts DC
4. Suitable for dry locations only
5. Type IC (Ceiling and Wall) Inherently Protected.
6. 96W max, 24ft max, and 3 Electrical Joiners max per power feed.
7. Mechanical Joiners and End Cap isolate power circuits. Electrical Joiners are used to continue power down the track.
8. System shapes and power feed locations shown are for reference only. Refer to custom drawing package for the particulars of a specific custom system.

## Continuous Row Mounting (if applicable)



S.7

- S.7 Loosen set screws on mechanical straight joiners of track section 2 and slide mechanical straight joiners flush or recessed to the end of track.
- S.8 Raise track section 2 to the ceiling and align within wood blocking channel and with track section 1.
- S.9 Make sure the end of track section 2 is fully flush with track section 1, then slide mechanical straight joiners evenly across the two track sections.
- S.10 Tighten set screws on mechanical straight joiners, securing track sections 1 and 2.
- S.11 Fasten track section 2 to wood blocking using #6 flathead screws through each backer flange.

# Stenos Installation Instructions

## Trimless Recessed Track

Please read all instructions prior to installation and keep for future reference!

1. Product to be installed by a qualified electrician
2. Use only with class 2 power unit
3. 24 Volts DC
4. Suitable for dry locations only
5. Type IC (Ceiling and Wall) Inherently Protected.
6. 96W max, 24ft max, and 3 Electrical Joiners max per power feed.
7. Mechanical Joiners and End Cap isolate power circuits. Electrical Joiners are used to continue power down the track.
8. System shapes and power feed locations shown are for reference only. Refer to custom drawing package for the particulars of a specific custom system.



REVO.6  
10112023

6 / 27



7777 Merrimac Ave  
Niles, IL 60714  
T 224.333.6033  
F 224.757.7557  
info@luminii.com  
www.luminii.com

## Drywall Install and Plastering Process

<p><b>S.12</b></p>	<p><b>S.12</b> S.9 Assemble drywall sheets up to sides of track and secure using #6 drywall screws into the wood blocking and backer flanges if desired.</p>
	<p><b>S.13</b> Apply mudding tape to perimeter of slot.</p>
	<p><b>S.14</b> Assemble mud/plaster compound over drywall, plaster tape, and up to lip of track as shown. Take care not to have debris accumulate on any contacts.</p>
<p><b>S.15</b> Once dry, sand the mud/plaster compound to a smooth finish. Then clean and paint.</p>	<p><b>S.16</b> Remove the track cover, if necessary, and thoroughly clean track and remove any debris or dust.</p>

# Stenos Installation Instructions

## Trimless Recessed Track

Please read all instructions prior to installation and keep for future reference!

1. Product to be installed by a qualified electrician
2. Use only with class 2 power unit
3. 24 Volts DC
4. Suitable for dry locations only
5. Type IC (Ceiling and Wall) Inherently Protected.
6. 96W max, 24ft max, and 3 Electrical Joiners max per power feed.
7. Mechanical Joiners and End Cap isolate power circuits. Electrical Joiners are used to continue power down the track.
8. System shapes and power feed locations shown are for reference only. Refer to custom drawing package for the particulars of a specific custom system.



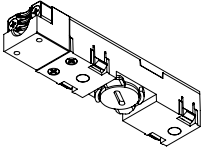
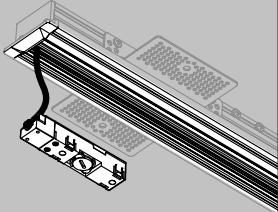
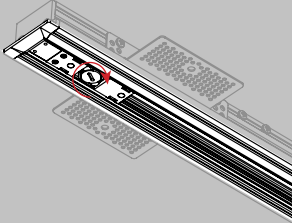
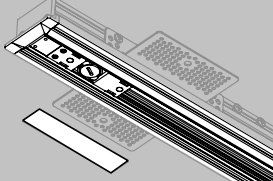
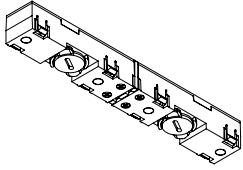
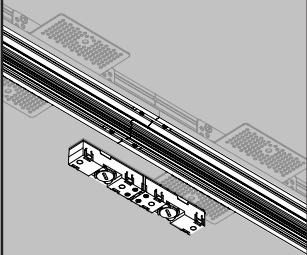
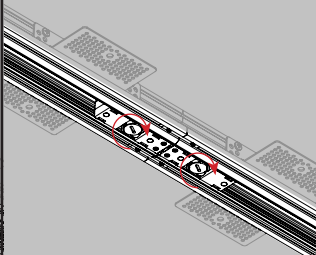
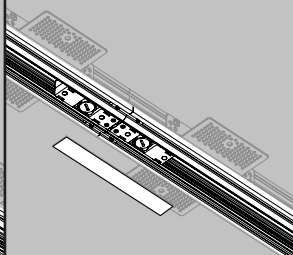
REVO.6  
10112023

7 / 27



7777 Merrimac Ave  
Niles, IL 60714  
T 224.333.6033  
F 224.757.7557  
info@luminii.com  
www.luminii.com

## Power Feed and Electrical Joiner (if applicable) Installation

<p><b>S.17</b> Power Feed</p> 			
<p>Straight Joiner</p> 			
<p>Perform a continuity check between the track conductors and the power cable to ensure that the power feed is sitting properly in the track.</p>	<p><b>S.17</b> Snap Power Feed and/or Electrical Joiner into the track.</p>	<p><b>S.18</b> Rotate locking cam to secure to track.</p> <p style="border: 1px solid red; padding: 2px; display: inline-block;">Do not over-rotate locking cam.</p>	<p><b>S.19</b> Place magnetic cover plate over power feed and/or Electrical Joiner</p>

# Stenos Installation Instructions

## Trimless Recessed Track

Please read all instructions prior to installation and keep for future reference!

1. Product to be installed by a qualified electrician
2. Use only with class 2 power unit
3. 24 Volts DC
4. Suitable for dry locations only
5. Type IC (Ceiling and Wall) Inherently Protected.
6. 96W max, 24ft max, and 3 Electrical Joiners max per power feed.
7. Mechanical Joiners and End Cap isolate power circuits. Electrical Joiners are used to continue power down the track.
8. System shapes and power feed locations shown are for reference only. Refer to custom drawing package for the particulars of a specific custom system.



REVO.6  
10112023

8 / 27



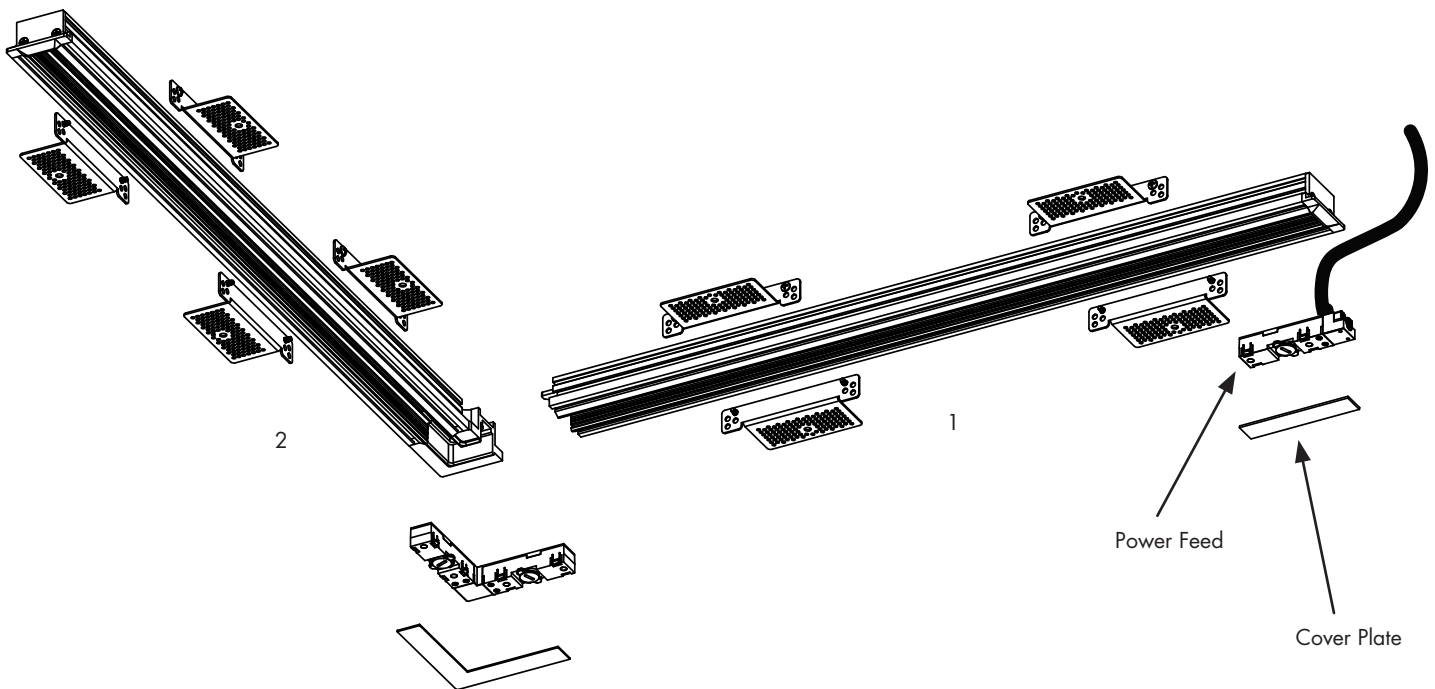
7777 Merrimac Ave  
Niles, IL 60714  
T 224.333.6033  
F 224.757.7557  
info@luminii.com  
www.luminii.com

## L – Trimless Recessed Track – L Shape

### Track Installation Sequence

#### ATTENTION!

Make sure to install the tracks in the order that are specified on this page.





# Stenos Installation Instructions

## Trimless Recessed Track



7777 Merrimac Ave  
Niles, IL 60714  
T 224.333.6033  
F 224.757.7557  
info@luminii.com  
www.luminii.com

REVO.6  
10112023

9 / 27

Please read all instructions prior to installation and keep for future reference!

1. Product to be installed by a qualified electrician
2. Use only with class 2 power unit
3. 24 Volts DC
4. Suitable for dry locations only
5. Type IC (Ceiling and Wall) Inherently Protected.
6. 96W max, 24ft max, and 3 Electrical Joiners max per power feed.
7. Mechanical Joiners and End Cap isolate power circuits. Electrical Joiners are used to continue power down the track.
8. System shapes and power feed locations shown are for reference only. Refer to custom drawing package for the particulars of a specific custom system.

## Backer Flange Adjustment (if necessary)

**L.1**

Hole Location	Drywall Thickness
A	3/8"
B	1/2"
C	5/8"
D	3/4"

Hole Location	Drywall Thickness
E	7/8"
F	1"
G	1 1/8"
H	1 1/4"

**L.1** Backer flanges are pre-installed by the factory according to ceiling thickness. Refer to approved Custom Layout Drawing by Luminii. Adjustments can be made on-site if necessary with the following information.

**L.2** The two orientations of the backer flange are labeled as Orientation 1 and Orientation 2.

Track Length	# of Backer Flanges
4ft	8 (4 on each side of track)
8ft	14 (7 on each side)
12ft	18 (9 on each side)

**L.3** Backer flanges should be located 3-4" from each end and spaced apart no greater than 18". All measurements are from the centerline of the backer flange.

**L.4**

**ORIENTATION 1 HOLE LOCATION A**  
1" spacing, 3/8" drywall

**ORIENTATION 1 HOLE LOCATION D**  
5/8" spacing, 3/4" drywall

**ORIENTATION 2 HOLE LOCATION E**  
7/16" spacing, 7/8" drywall

**ORIENTATION 2 HOLE LOCATION H**  
1/16" spacing, 1-1/4" drywall

**L.4** Wood blocking is required to mount the track. **NOTE:** If layout is meant to cross joists, wood blocking and ceiling thickness may impact overall ceiling/room height. Modify/lower ceiling structure according to local building codes.

# Stenos Installation Instructions

## Trimless Recessed Track

Please read all instructions prior to installation and keep for future reference!

1. Product to be installed by a qualified electrician
2. Use only with class 2 power unit
3. 24 Volts DC
4. Suitable for dry locations only
5. Type IC (Ceiling and Wall) Inherently Protected.
6. 96W max, 24ft max, and 3 Electrical Joiners max per power feed.
7. Mechanical Joiners and End Cap isolate power circuits. Electrical Joiners are used to continue power down the track.
8. System shapes and power feed locations shown are for reference only. Refer to custom drawing package for the particulars of a specific custom system.



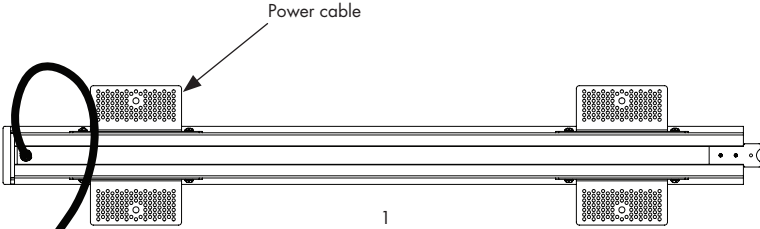
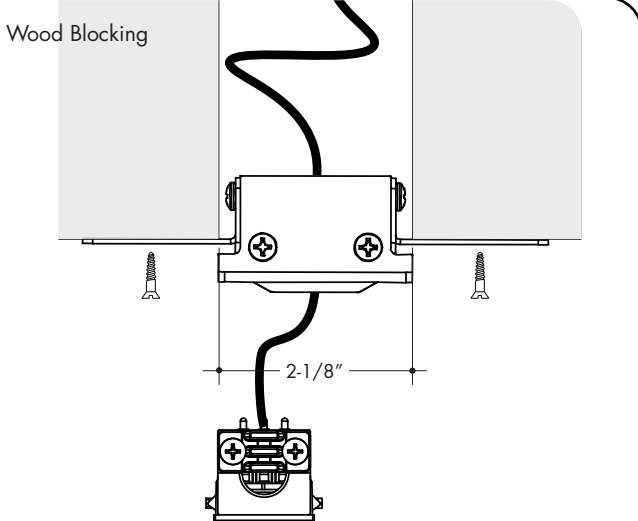
REVO.6  
10112023

10 / 27



7777 Merrimac Ave  
Niles, IL 60714  
T 224.333.6033  
F 224.757.7557  
info@luminii.com  
www.luminii.com

## Ceiling Blocking and Track Mounting

<p><b>L.5</b></p>  <p>Power cable</p> <p>1</p>	 <p>Wood Blocking</p> <p>2-1/8"</p>
<p><b>L.5</b> Give the power cable 8"-12" of slack protruding from the track for wiring.</p>	<p><b>L.6</b> Use wood blocking to create a 2-1/8" channel for the track to mount to. Refer to steps L.1-L.4 for track location and position with respect to ceiling thickness. Route power feed cable through pre-drilled hole in the track, maintaining the 8"-12" of slack. Fasten track to wood blocking using #6 flathead screws through each backer flange.</p> <p>For continuous row mounting, refer to steps S.7-S.11.</p>

# Stenos Installation Instructions

## Trimless Recessed Track



7777 Merrimac Ave  
Niles, IL 60714  
T 224.333.6033  
F 224.757.7557  
info@luminii.com  
www.luminii.com

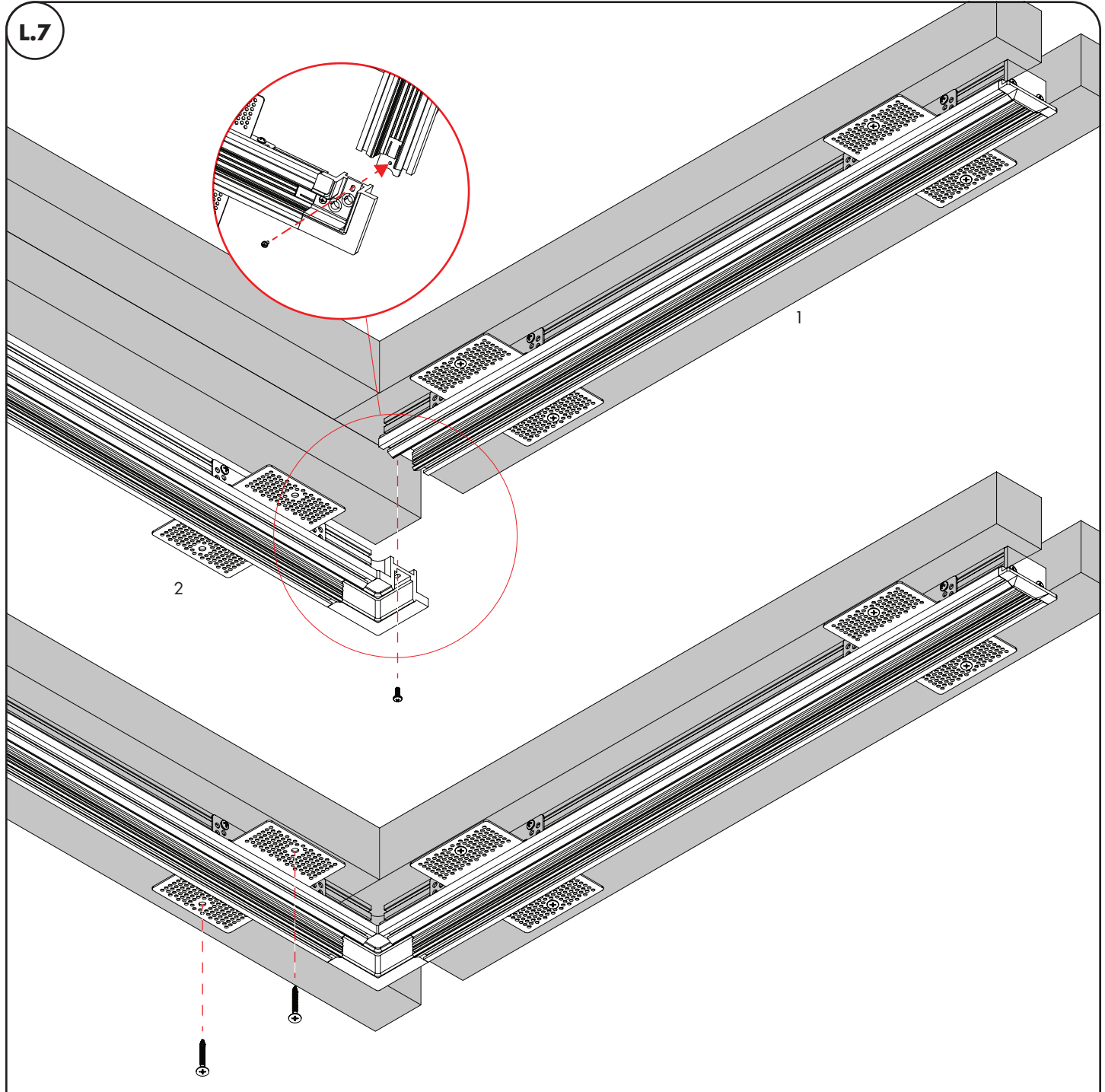
REVO.6  
10112023

11 / 27

Please read all instructions prior to installation and keep for future reference!

1. Product to be installed by a qualified electrician
2. Use only with class 2 power unit
3. 24 Volts DC
4. Suitable for dry locations only
5. Type IC (Ceiling and Wall) Inherently Protected.
6. 96W max, 24ft max, and 3 Electrical Joiners max per power feed.
7. Mechanical Joiners and End Cap isolate power circuits. Electrical Joiners are used to continue power down the track.
8. System shapes and power feed locations shown are for reference only. Refer to custom drawing package for the particulars of a specific custom system.

## Joining the Corners of the U Shape



- L.7** Once track section 1 is attached to the surface, raise track section 2 and align within wood blocking channel and with track section 1.
- L.8** Make sure the end of track section 2 is fully flush with track section 1 and secure them with the M3 screws provided.
- L.9** Fasten track section 2 to wood blocking using #6 flathead screws through each backer flange.

# Stenos Installation Instructions

## Trimless Recessed Track

Please read all instructions prior to installation and keep for future reference!

1. Product to be installed by a qualified electrician
2. Use only with class 2 power unit
3. 24 Volts DC
4. Suitable for dry locations only
5. Type IC (Ceiling and Wall) Inherently Protected.
6. 96W max, 24ft max, and 3 Electrical Joiners max per power feed.
7. Mechanical Joiners and End Cap isolate power circuits. Electrical Joiners are used to continue power down the track.
8. System shapes and power feed locations shown are for reference only. Refer to custom drawing package for the particulars of a specific custom system.



REVO.6  
10112023

12 / 27



7777 Merrimac Ave  
Niles, IL 60714  
T 224.333.6033  
F 224.757.7557  
info@luminii.com  
www.luminii.com

## Drywall Install and Plastering Process

<p><b>L.10</b></p>	<p><b>L.10</b> Assemble drywall sheets up to sides of track and secure using #6 drywall screws into the wood blocking and backer flanges if desired.</p>
	<p><b>L.11</b> Apply 2" wide mud/plaster tape to track and drywall, covering the track slots, as shown, and assemble track cover.</p>
	<p><b>L.12</b> Assemble mud/plaster compound over drywall, plaster tape, and up to lip of track as shown. Take care not to have debris accumulate on any contacts.</p>
<p><b>L.13</b> Once dry, sand the mud/plaster compound to a smooth finish. Then clean and paint.</p>	<p><b>L.14</b> Remove the track cover, if necessary, and thoroughly clean track and remove any debris or dust.</p>

# Stenos Installation Instructions

## Trimless Recessed Track



7777 Merrimac Ave  
Niles, IL 60714  
T 224.333.6033  
F 224.757.7557  
info@luminii.com  
www.luminii.com

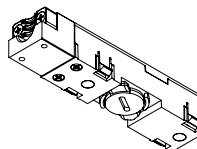
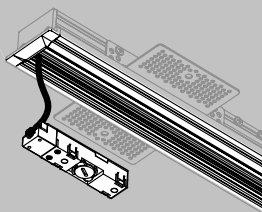
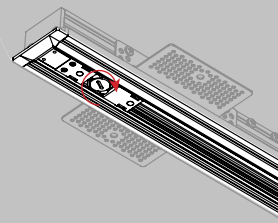
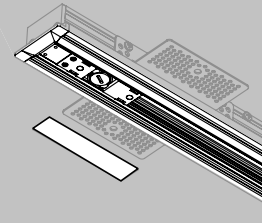
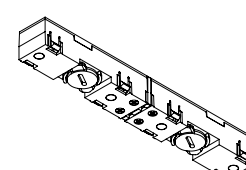
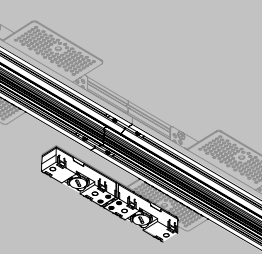
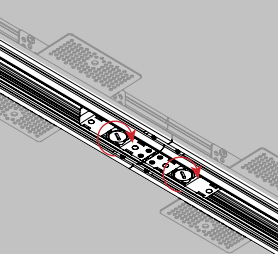
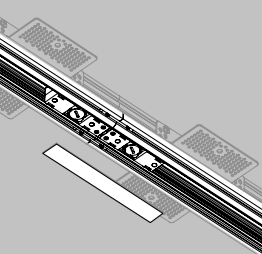
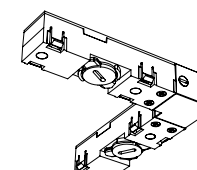
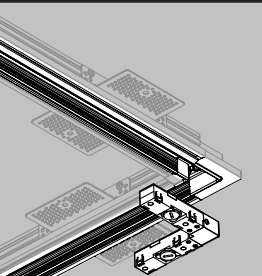
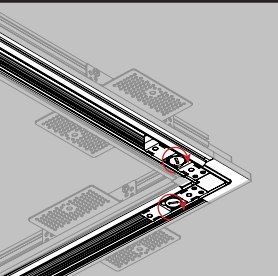
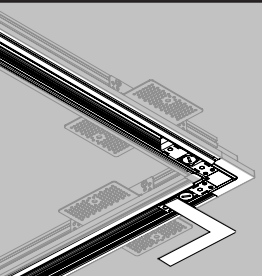
Please read all instructions prior to installation and keep for future reference!

1. Product to be installed by a qualified electrician
2. Use only with class 2 power unit
3. 24 Volts DC
4. Suitable for dry locations only
5. Type IC (Ceiling and Wall) Inherently Protected.
6. 96W max, 24ft max, and 3 Electrical Joiners max per power feed.
7. Mechanical Joiners and End Cap isolate power circuits. Electrical Joiners are used to continue power down the track.
8. System shapes and power feed locations shown are for reference only. Refer to custom drawing package for the particulars of a specific custom system.

REVO.6  
10112023

13 / 27

## Power Feed and Electrical Joiner (if applicable) Installation

<p><b>L.15</b> Power Feed</p> 			
<p>Straight Joiner</p> 			
<p>L Joiner</p> 			
<p>Perform a continuity check between the track conductors and the power cable to ensure that the power feed is sitting properly in the track.</p>	<p><b>L.15</b> Snap Power Feed and/or Electrical Joiner into the track.</p>	<p><b>L.16</b> Rotate locking cam to secure to track.</p> <div style="border: 1px solid red; padding: 2px; display: inline-block; color: red; font-weight: bold;">Do not over-rotate locking cam.</div>	<p><b>L.17</b> Place magnetic cover plate over power feed and/or Electrical Joiner</p>

# Stenos Installation Instructions

## Trimless Recessed Track

Please read all instructions prior to installation and keep for future reference!

1. Product to be installed by a qualified electrician
2. Use only with class 2 power unit
3. 24 Volts DC
4. Suitable for dry locations only
5. Type IC (Ceiling and Wall) Inherently Protected.
6. 96W max, 24ft max, and 3 Electrical Joiners max per power feed.
7. Mechanical Joiners and End Cap isolate power circuits. Electrical Joiners are used to continue power down the track.
8. System shapes and power feed locations shown are for reference only. Refer to custom drawing package for the particulars of a specific custom system.



REVO.6  
10112023

14 / 27



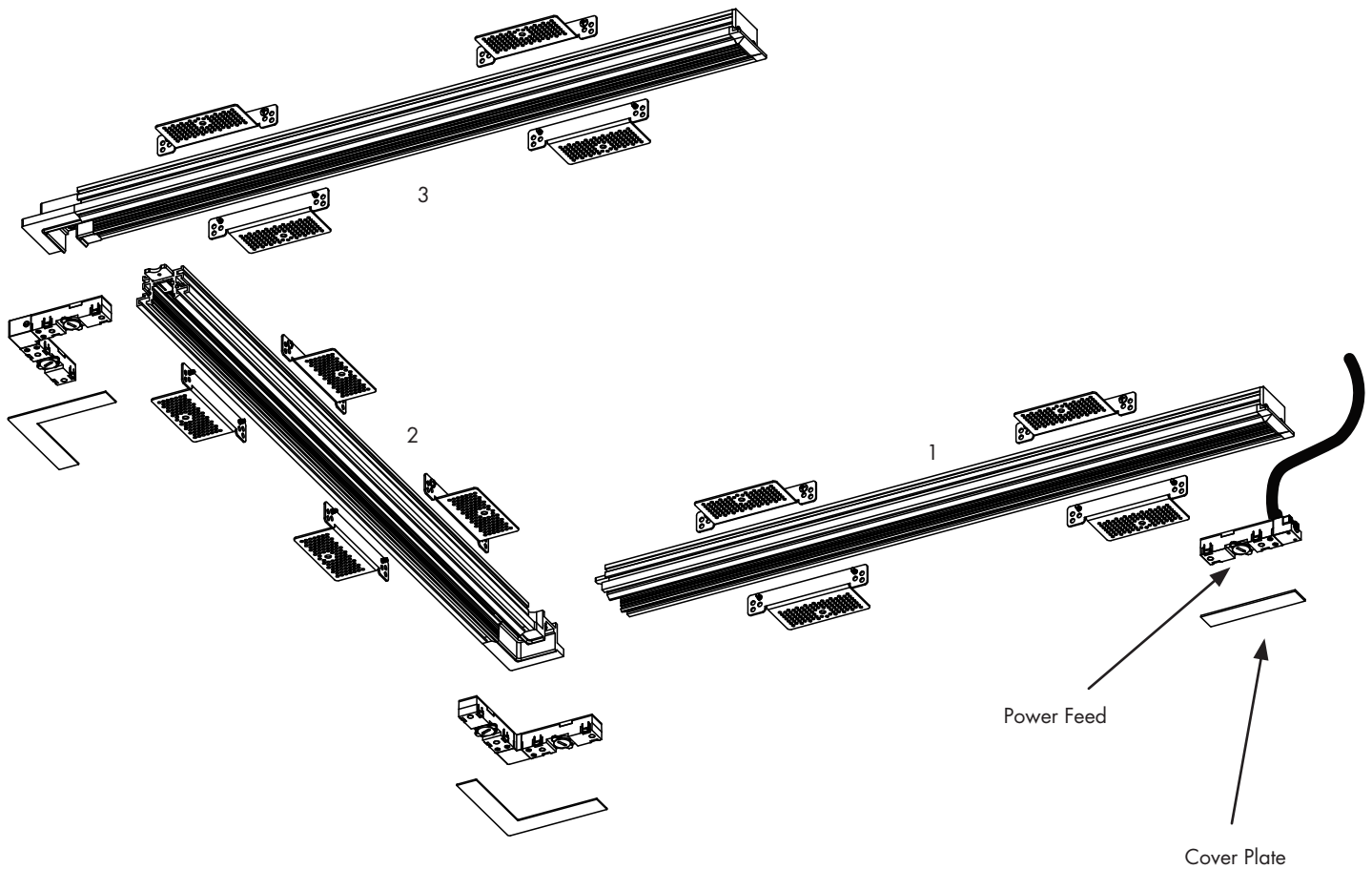
7777 Merrimac Ave  
Niles, IL 60714  
T 224.333.6033  
F 224.757.7557  
info@luminii.com  
www.luminii.com

## U - Trimless Recessed Track – U Shape

### Track Installation Sequence

#### ATTENTION!

Make sure to install the tracks in the order that are specified on this page.



# Stenos Installation Instructions

Trimless Recessed Track



7777 Merrimac Ave  
Niles, IL 60714  
T 224.333.6033  
F 224.757.7557  
info@luminii.com  
www.luminii.com

Please read all instructions prior to installation and keep for future reference!

1. Product to be installed by a qualified electrician
2. Use only with class 2 power unit
3. 24 Volts DC
4. Suitable for dry locations only
5. Type IC (Ceiling and Wall) Inherently Protected.
6. 96W max, 24ft max, and 3 Electrical Joiners max per power feed.
7. Mechanical Joiners and End Cap isolate power circuits. Electrical Joiners are used to continue power down the track.
8. System shapes and power feed locations shown are for reference only. Refer to custom drawing package for the particulars of a specific custom system.

REVO.6  
10112023  
15 / 27

## Backer Flange Adjustment (if necessary)

**U.1**

Hole Location	Drywall Thickness
A	3/8"
B	1/2"
C	5/8"
D	3/4"

Hole Location	Drywall Thickness
E	7/8"
F	1"
G	1 1/8"
H	1 1/4"

**U.1** Backer flanges are pre-installed by the factory according to ceiling thickness. Refer to approved Custom Layout Drawing by Luminii. Adjustments can be made on-site if necessary with the following information.

**U.2** The two orientations of the backer flange are labeled as Orientation 1 and Orientation 2.

Track Length	# of Backer Flanges
4ft	8 (4 on each side of track)
8ft	14 (7 on each side)
12ft	18 (9 on each side)

**U.3** Backer flanges should be located 3-4" from each end and spaced apart no greater than 18". All measurements are from the centerline of the backer flange.

**U.4**

**U.4** Wood blocking is required to mount the track. **NOTE:** If layout is meant to cross joists, wood blocking and ceiling thickness may impact overall ceiling/room height. Modify/lower ceiling structure according to local building codes.

# Stenos Installation Instructions

## Trimless Recessed Track

Please read all instructions prior to installation and keep for future reference!

1. Product to be installed by a qualified electrician
2. Use only with class 2 power unit
3. 24 Volts DC
4. Suitable for dry locations only
5. Type IC (Ceiling and Wall) Inherently Protected.
6. 96W max, 24ft max, and 3 Electrical Joiners max per power feed.
7. Mechanical Joiners and End Cap isolate power circuits. Electrical Joiners are used to continue power down the track.
8. System shapes and power feed locations shown are for reference only. Refer to custom drawing package for the particulars of a specific custom system.



REVO.6  
10112023

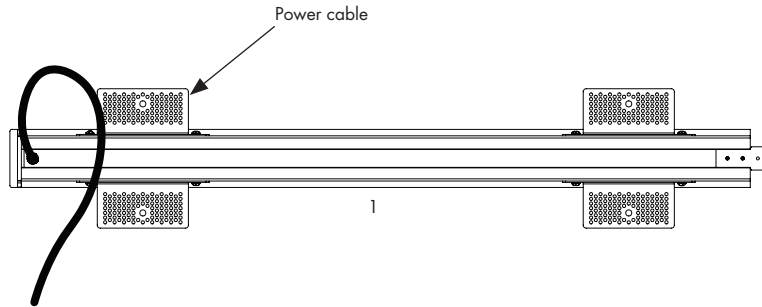
16 / 27



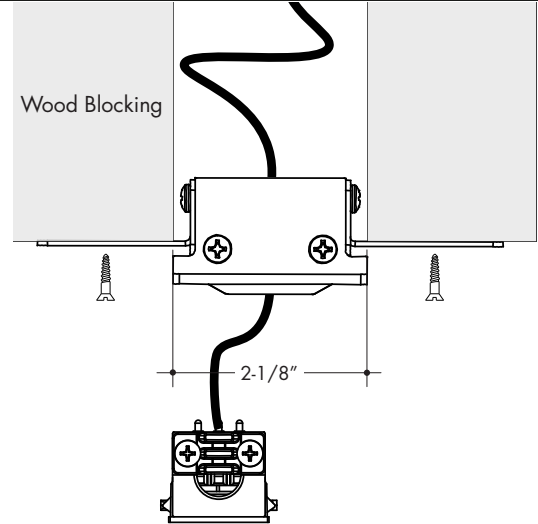
7777 Merrimac Ave  
Niles, IL 60714  
T 224.333.6033  
F 224.757.7557  
info@luminii.com  
www.luminii.com

## Ceiling Blocking and Track Mounting

**U.5**



**U.5** Give the power cable 8"-12" of slack protruding from the track for wiring.



**U.6** Use wood blocking to create a 2-1/8" channel for the track to mount to. Refer to steps U.1-U.4 for track location and position with respect to ceiling thickness. Route power feed cable through pre-drilled hole in the track, maintaining the 8"-12" of slack. Fasten track to wood blocking using #6 flathead screws through each backer flange.

For continuous row mounting, refer to steps S.7-S.11.



# Stenos Installation Instructions

## Trimless Recessed Track



7777 Merrimac Ave  
Niles, IL 60714  
T 224.333.6033  
F 224.757.7557  
info@luminii.com  
www.luminii.com

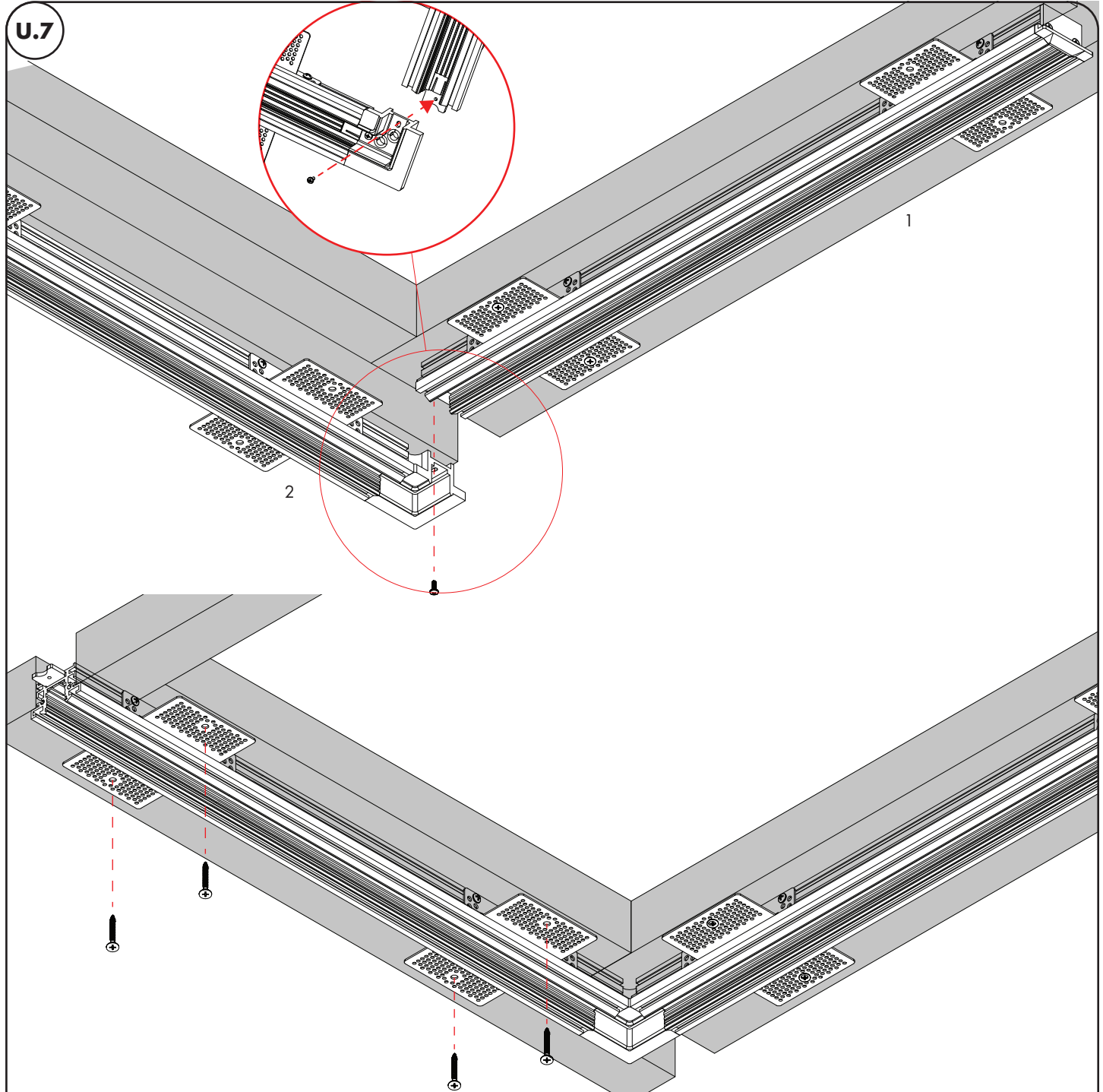
REVO.6  
10112023

17 / 27

Please read all instructions prior to installation and keep for future reference!

1. Product to be installed by a qualified electrician
2. Use only with class 2 power unit
3. 24 Volts DC
4. Suitable for dry locations only
5. Type IC (Ceiling and Wall) Inherently Protected.
6. 96W max, 24ft max, and 3 Electrical Joiners max per power feed.
7. Mechanical Joiners and End Cap isolate power circuits. Electrical Joiners are used to continue power down the track.
8. System shapes and power feed locations shown are for reference only. Refer to custom drawing package for the particulars of a specific custom system.

## Joining the Corners of the U Shape



- U.7** Once track section 1 is attached to the surface, raise track section 2 and align within wood blocking channel and with track section 1.
- U.8** Make sure the end of track section 2 is fully flush with track section 1 and secure them with the M3 screws provided.
- U.9** Fasten track section 2 to wood blocking using #6 flathead screws through each backer flange.

# Stenos Installation Instructions

## Trimless Recessed Track

Please read all instructions prior to installation and keep for future reference!

1. Product to be installed by a qualified electrician
2. Use only with class 2 power unit
3. 24 Volts DC
4. Suitable for dry locations only
5. Type IC (Ceiling and Wall) Inherently Protected.
6. 96W max, 24ft max, and 3 Electrical Joiners max per power feed.
7. Mechanical Joiners and End Cap isolate power circuits. Electrical Joiners are used to continue power down the track.
8. System shapes and power feed locations shown are for reference only. Refer to custom drawing package for the particulars of a specific custom system.



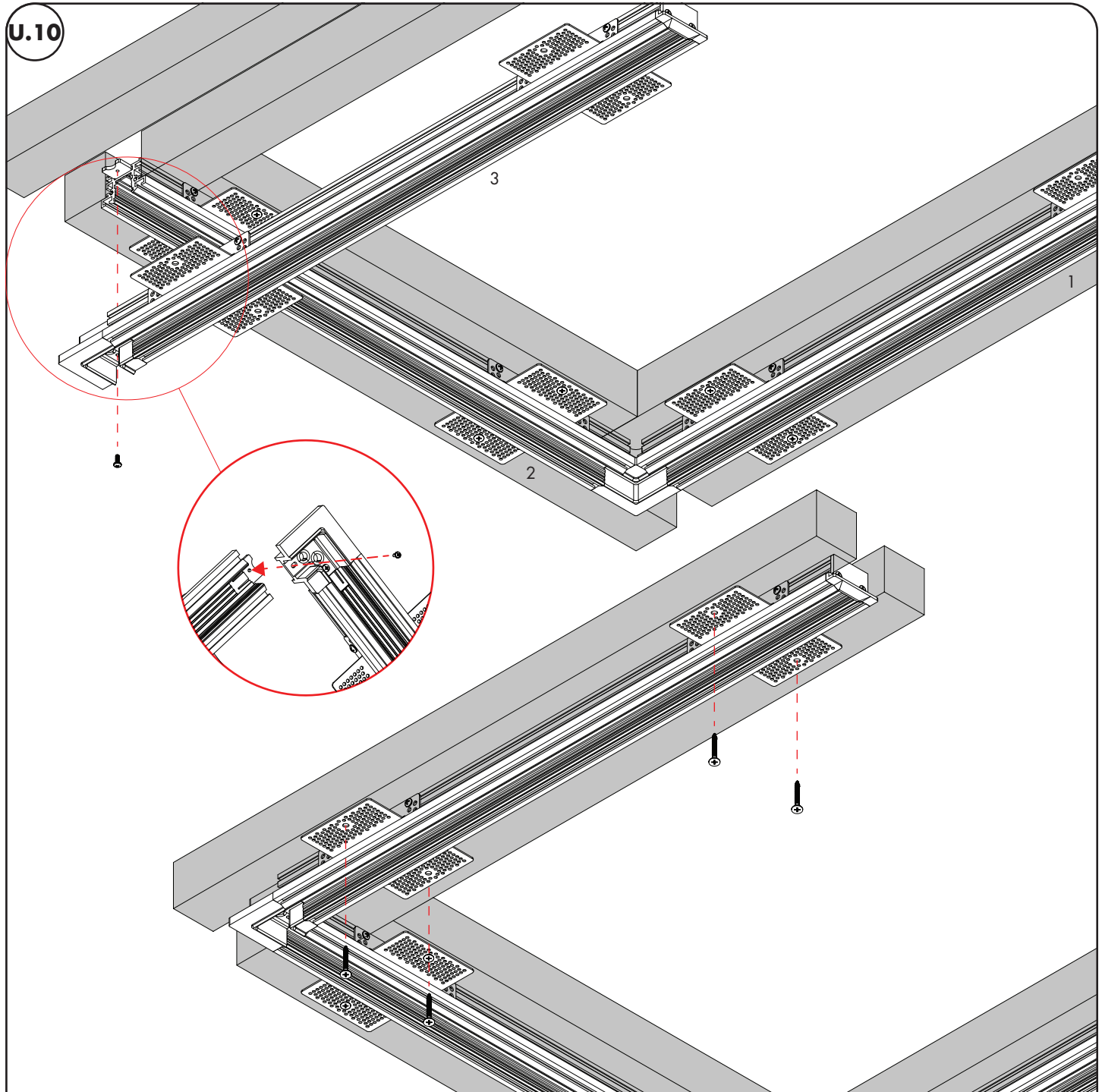
REVO.6  
10112023

18 / 27



7777 Merrimac Ave  
Niles, IL 60714  
T 224.333.6033  
F 224.757.7557  
info@luminii.com  
www.luminii.com

## Ceiling Blocking and Track Mounting



**U.10**

- U.10** Once track section 2 is attached to the surface, raise track section 3 and align within wood blocking channel and with track section 2.
- U.11** Make sure the end of track section 3 is fully flush with track section 2 and secure them with the M3 screws provided.
- U.12** Fasten track section 3 to wood blocking using #6 flathead screws through each backer flange.

# Stenos Installation Instructions

## Trimless Recessed Track



7777 Merrimac Ave  
Niles, IL 60714  
T 224.333.6033  
F 224.757.7557  
info@luminii.com  
www.luminii.com

REVO.6  
10112023

19 / 27

Please read all instructions prior to installation and keep for future reference!

1. Product to be installed by a qualified electrician
2. Use only with class 2 power unit
3. 24 Volts DC
4. Suitable for dry locations only
5. Type IC (Ceiling and Wall) Inherently Protected.
6. 96W max, 24ft max, and 3 Electrical Joiners max per power feed.
7. Mechanical Joiners and End Cap isolate power circuits. Electrical Joiners are used to continue power down the track.
8. System shapes and power feed locations shown are for reference only. Refer to custom drawing package for the particulars of a specific custom system.

## Drywall Install and Plastering Process

<p><b>U.13</b></p>	<p><b>U.13</b> Assemble drywall sheets up to sides of track and secure using #6 drywall screws into the wood blocking and backer flanges if desired.</p>
	<p><b>U.14</b> Apply 2" wide mud/plaster tape to track and drywall, covering the track slots, as shown, and assemble track cover.</p>
	<p><b>U.15</b> Assemble mud/plaster compound over drywall, plaster tape, and up to lip of track as shown. Take care not to have debris accumulate on any contacts.</p>
	<p><b>U.16</b> Once dry, sand the mud/plaster compound to a smooth finish. Then clean and paint.</p> <p><b>U.17</b> Remove the track cover, if necessary, and thoroughly clean track and remove any debris or dust.</p>

# Stenos Installation Instructions

Trimless Recessed Track



7777 Merrimac Ave  
Niles, IL 60714  
T 224.333.6033  
F 224.757.7557  
info@luminii.com  
www.luminii.com

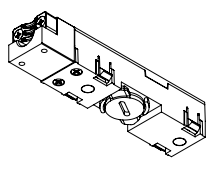
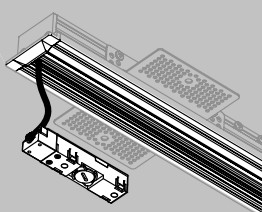
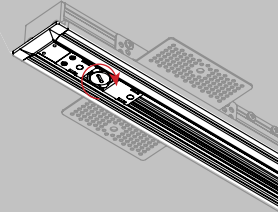
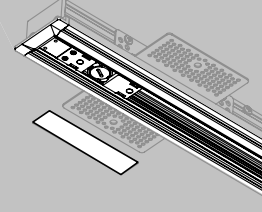
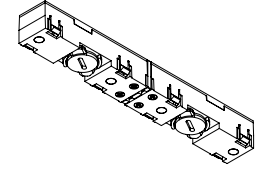
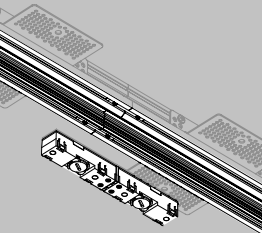
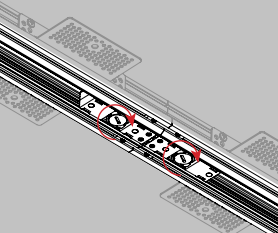
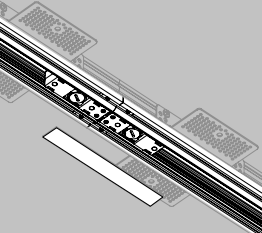
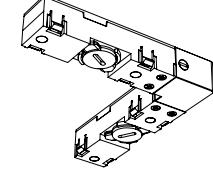
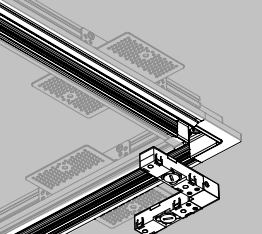
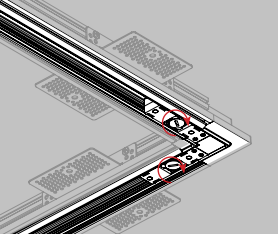
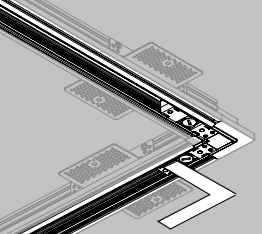
Please read all instructions prior to installation and keep for future reference!

1. Product to be installed by a qualified electrician
2. Use only with class 2 power unit
3. 24 Volts DC
4. Suitable for dry locations only
5. Type IC (Ceiling and Wall) Inherently Protected.
6. 96W max, 24ft max, and 3 Electrical Joiners max per power feed.
7. Mechanical Joiners and End Cap isolate power circuits. Electrical Joiners are used to continue power down the track.
8. System shapes and power feed locations shown are for reference only. Refer to custom drawing package for the particulars of a specific custom system.

REVO.6  
10112023

20 / 27

## Power Feed and Electrical Joiner (if applicable) Installation

<p><b>U.18</b> Power Feed</p> 			
<p>Straight Joiner</p> 			
<p>L Joiner</p> 			
<p>Perform a continuity check between the track conductors and the power cable to ensure that the power feed is sitting properly in the track.</p>	<p><b>U.18</b> Snap Power Feed and/or Electrical Joiner into the track.</p>	<p><b>U.19</b> Rotate locking cam to secure to track.</p> <div style="border: 1px solid red; padding: 2px; display: inline-block; color: red; font-weight: bold;">Do not over-rotate locking cam.</div>	<p><b>U.20</b> Place magnetic cover plate over power feed and/or Electrical Joiner</p>

# Stenos Installation Instructions

## Trimless Recessed Track

Please read all instructions prior to installation and keep for future reference!

1. Product to be installed by a qualified electrician
2. Use only with class 2 power unit
3. 24 Volts DC
4. Suitable for dry locations only
5. Type IC (Ceiling and Wall) Inherently Protected.
6. 96W max, 24ft max, and 3 Electrical Joiners max per power feed.
7. Mechanical Joiners and End Cap isolate power circuits. Electrical Joiners are used to continue power down the track.
8. System shapes and power feed locations shown are for reference only. Refer to custom drawing package for the particulars of a specific custom system.



REVO.6  
10112023

21 / 27



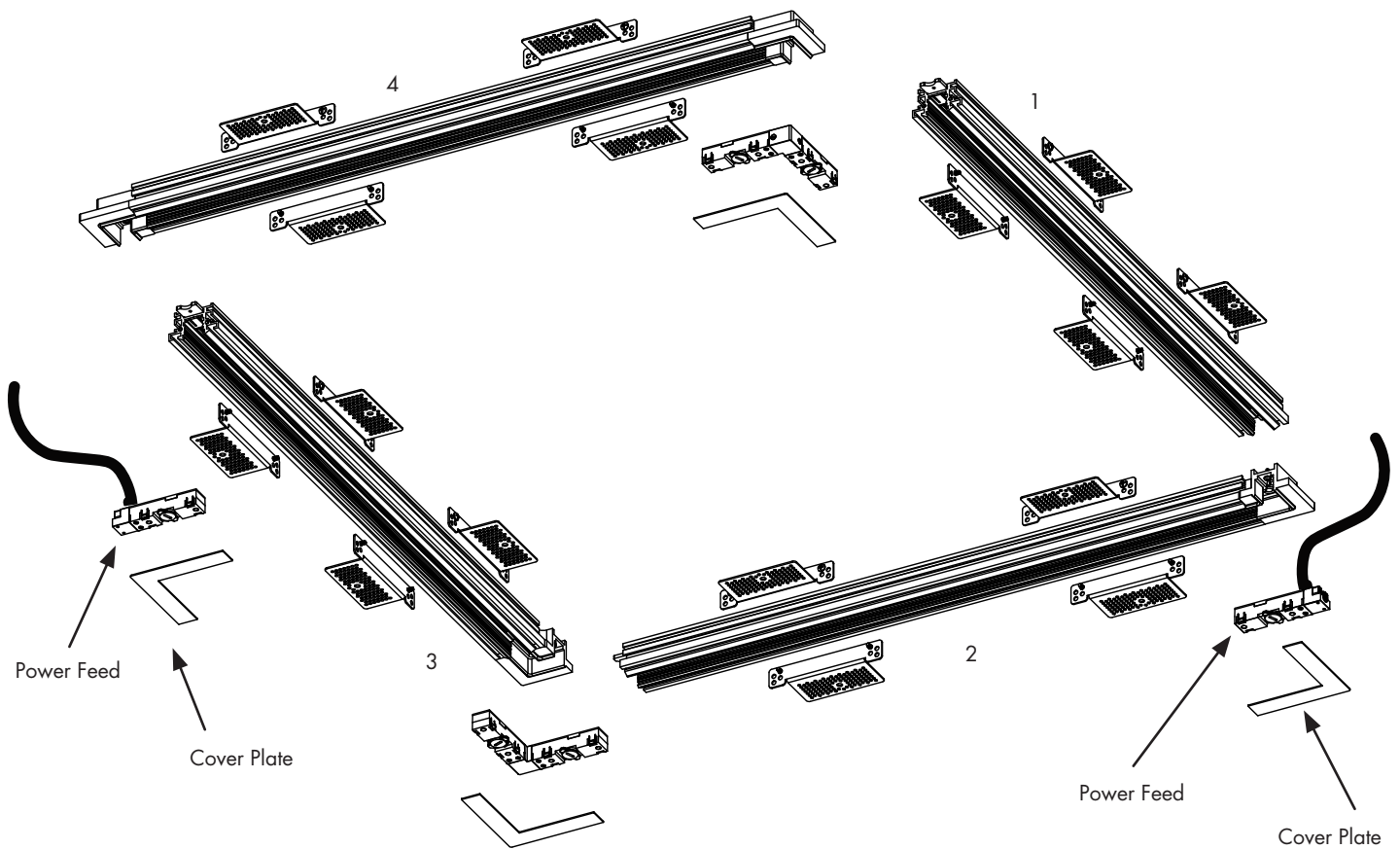
7777 Merrimac Ave  
Niles, IL 60714  
T 224.333.6033  
F 224.757.7557  
info@luminii.com  
www.luminii.com

## R - Trimless Recessed Track - Rectangle

### Track Installation Sequence

#### ATTENTION!

Make sure to install the tracks in the order that are specified on this page.



# Stenos Installation Instructions

## Trimless Recessed Track



7777 Merrimac Ave  
Niles, IL 60714  
T 224.333.6033  
F 224.757.7557  
info@luminii.com  
www.luminii.com

REVO.6  
10112023

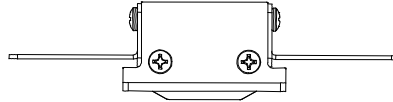
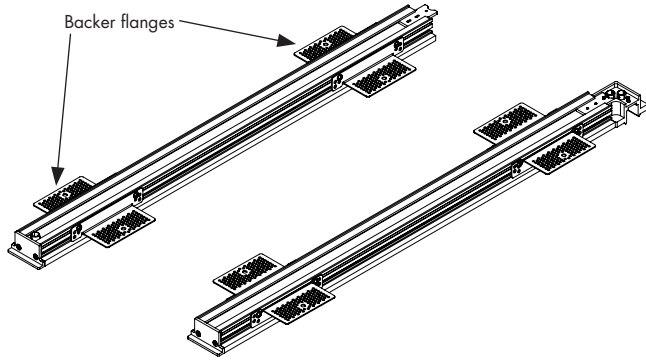
22 / 27

Please read all instructions prior to installation and keep for future reference!

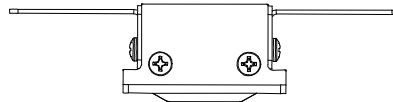
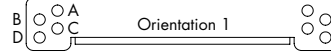
1. Product to be installed by a qualified electrician
2. Use only with class 2 power unit
3. 24 Volts DC
4. Suitable for dry locations only
5. Type IC (Ceiling and Wall) Inherently Protected.
6. 96W max, 24ft max, and 3 Electrical Joiners max per power feed.
7. Mechanical Joiners and End Cap isolate power circuits. Electrical Joiners are used to continue power down the track.
8. System shapes and power feed locations shown are for reference only. Refer to custom drawing package for the particulars of a specific custom system.

## Backer Flange Installation (MF and MB options)

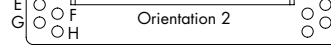
### R.1



Hole Location	Drywall Thickness
A	3/8"
B	1/2"
C	5/8"
D	3/4"



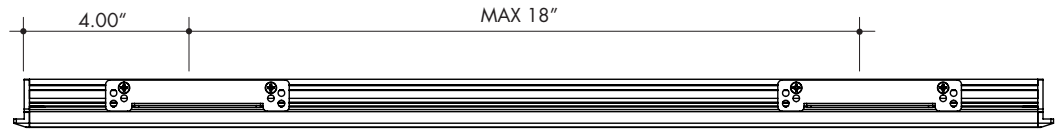
Hole Location	Drywall Thickness
E	7/8"
F	1"
G	1 1/8"
H	1 1/4"



**R.1** Backer flanges are pre-installed by the factory according to ceiling thickness. Refer to approved Custom Layout Drawing by Luminii. Adjustments can be made on-site if necessary with the following information.

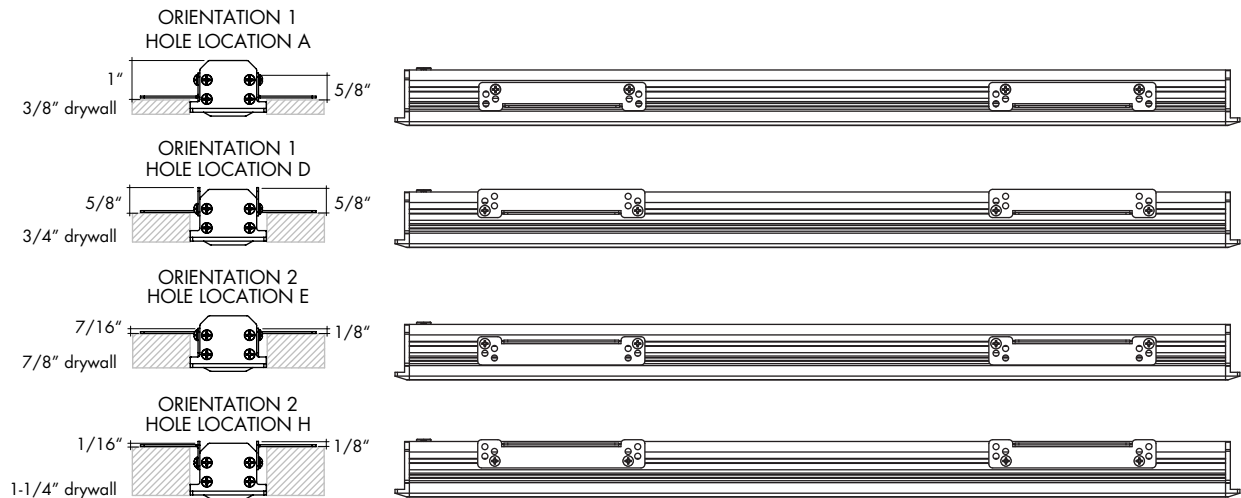
**R.2** The two orientations of the backer flange are labeled as Orientation 1 and Orientation 2.

Track Length	# of Backer Flanges
4ft	8 (4 on each side of track)
8ft	14 (7 on each side)
12ft	18 (9 on each side)



**R.3** Backer flanges should be located 3-4" from each end and spaced apart no greater than 18". All measurements are from the centerline of the backer flange.

### R.4



**R.4** Wood blocking is required to mount the track. **NOTE:** If layout is meant to cross joists, wood blocking and ceiling thickness may impact overall ceiling/room height. Modify/lower ceiling structure according to local building codes.

# Stenos Installation Instructions

## Trimless Recessed Track

Please read all instructions prior to installation and keep for future reference!

1. Product to be installed by a qualified electrician
2. Use only with class 2 power unit
3. 24 Volts DC
4. Suitable for dry locations only
5. Type IC (Ceiling and Wall) Inherently Protected.
6. 96W max, 24ft max, and 3 Electrical Joiners max per power feed.
7. Mechanical Joiners and End Cap isolate power circuits. Electrical Joiners are used to continue power down the track.
8. System shapes and power feed locations shown are for reference only. Refer to custom drawing package for the particulars of a specific custom system.



REVO.6  
10112023

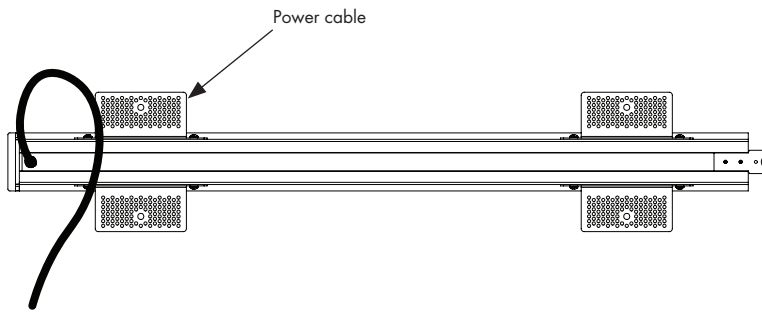
23 / 27



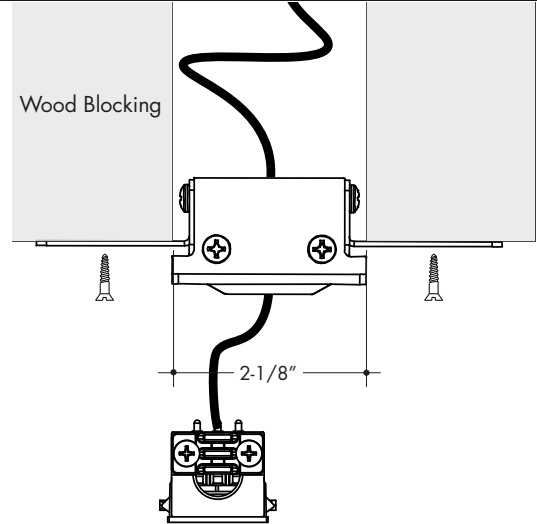
7777 Merrimac Ave  
Niles, IL 60714  
T 224.333.6033  
F 224.757.7557  
info@luminii.com  
www.luminii.com

## Ceiling Blocking and Track Mounting

**R.5**



**R.5** Give the power cable 8"-12" of slack protruding from the track for wiring.



**R.6** L.6 Use wood blocking to create a 2-1/8" channel for the track to mount to. Refer to steps R.1-R.4 for track location and position with respect to ceiling thickness. Route power feed cable through pre-drilled hole in the track, maintaining the 8"-12" of slack. Fasten track to wood blocking using #6 flathead screws through each backer flange.

For continuous row mounting, refer to steps S.7-S.11.

# Stenos Installation Instructions

## Trimless Recessed Track

Please read all instructions prior to installation and keep for future reference!

1. Product to be installed by a qualified electrician
2. Use only with class 2 power unit
3. 24 Volts DC
4. Suitable for dry locations only
5. Type IC (Ceiling and Wall) Inherently Protected.
6. 96W max, 24ft max, and 3 Electrical Joiners max per power feed.
7. Mechanical Joiners and End Cap isolate power circuits. Electrical Joiners are used to continue power down the track.
8. System shapes and power feed locations shown are for reference only. Refer to custom drawing package for the particulars of a specific custom system.



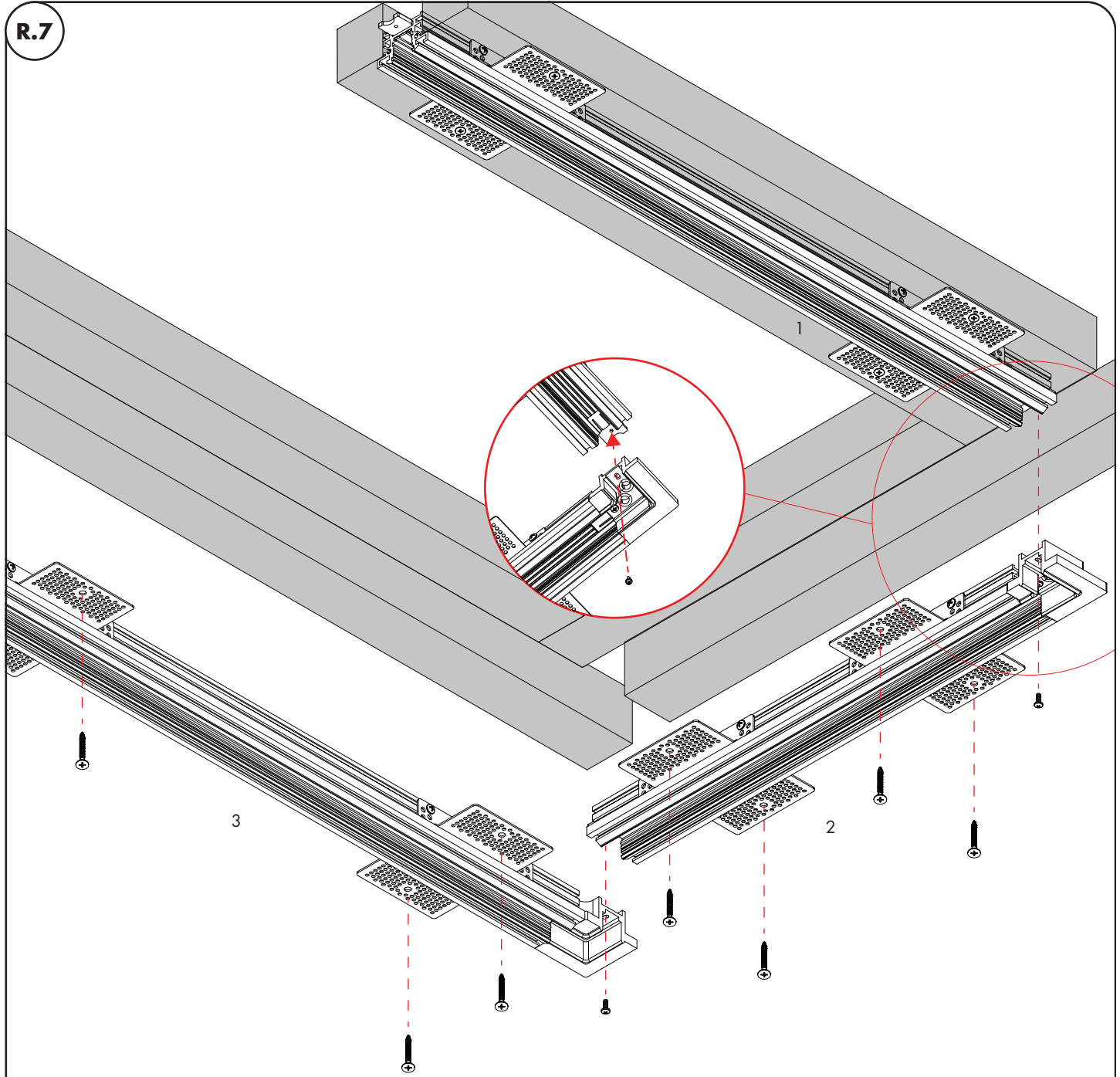
REVO.6  
10112023

24 / 27



7777 Merrimac Ave  
Niles, IL 60714  
T 224.333.6033  
F 224.757.7557  
info@luminii.com  
www.luminii.com

## Joining the Corners of the Rectangle



- R.7** Once track section 1 is attached to the surface, raise track section 2 and align within wood blocking channel and with track section 1.
- R.8** Make sure the end of track section 2 is fully flush with track section 1 and secure them with the M3 screws provided.
- R.9** Fasten track section 2 to wood blocking using #6 flathead screws through each backer flange.
- R.10** Once track section 2 is attached to the surface, raise track section 3 and align within wood blocking channel and with track section 2.
- R.11** Make sure the end of track section 3 is fully flush with track section 2 and secure them with the M3 screws provided.
- R.12** Fasten track section 3 to wood blocking using #6 flathead screws through each backer flange.



# Stenos Installation Instructions

## Trimless Recessed Track



7777 Merrimac Ave  
Niles, IL 60714  
T 224.333.6033  
F 224.757.7557  
info@luminii.com  
www.luminii.com

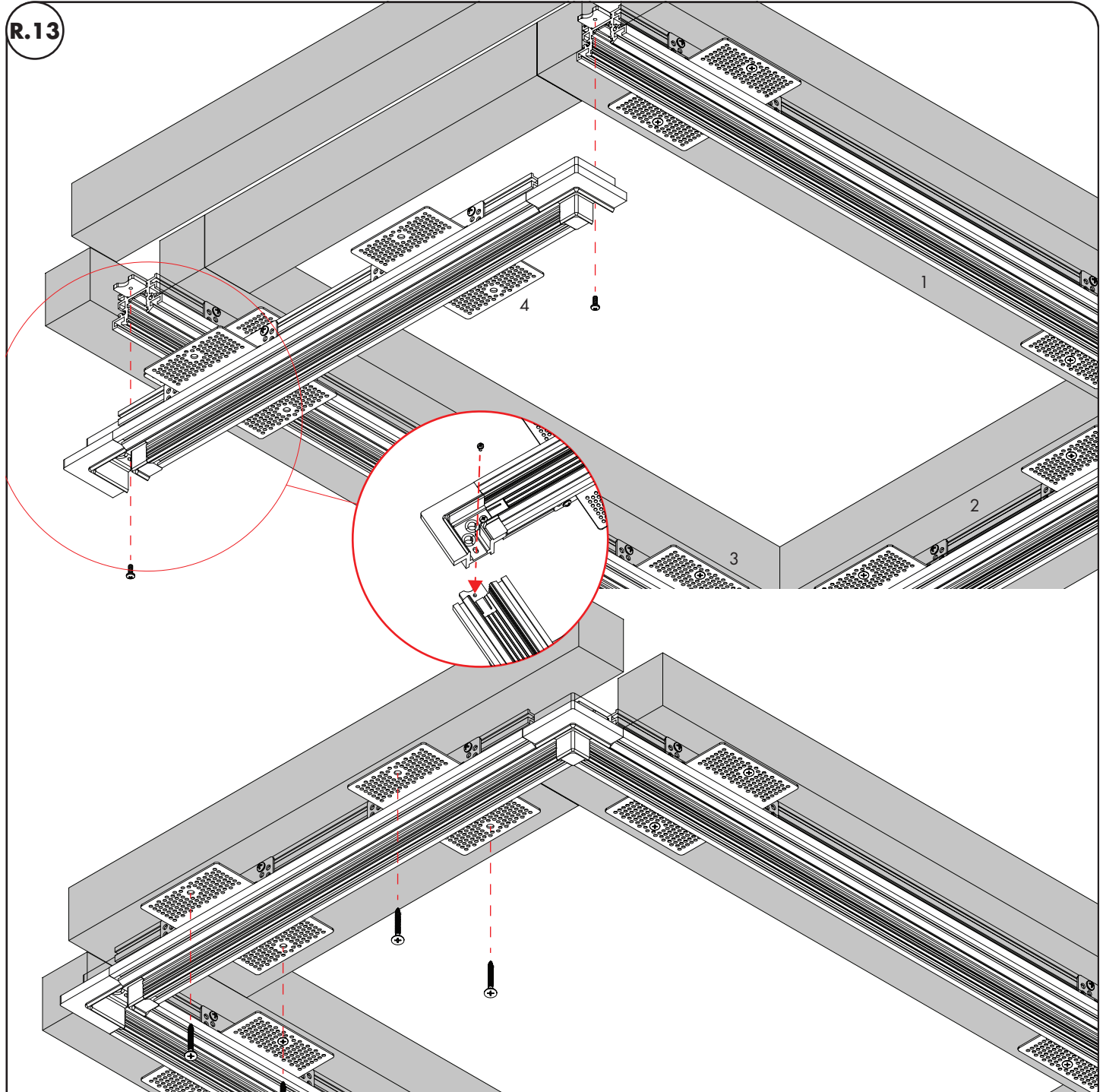
REVO.6  
10112023

25 / 27

Please read all instructions prior to installation and keep for future reference!

1. Product to be installed by a qualified electrician
2. Use only with class 2 power unit
3. 24 Volts DC
4. Suitable for dry locations only
5. Type IC (Ceiling and Wall) Inherently Protected.
6. 96W max, 24ft max, and 3 Electrical Joiners max per power feed.
7. Mechanical Joiners and End Cap isolate power circuits. Electrical Joiners are used to continue power down the track.
8. System shapes and power feed locations shown are for reference only. Refer to custom drawing package for the particulars of a specific custom system.

## Joining the Corners of the Rectangle



**R.13**

**R.13** Once track section 3 is attached to the surface, raise track section 4 and align within wood blocking channel and with track section 3.

**R.14** Make sure the end of track section 4 is fully flush with track section 3 and secure them with the M3 screws provided.

**R.15** Fasten track section 4 to wood blocking using #6 flathead screws through each backer flange.

# Stenos Installation Instructions

## Trimless Recessed Track

Please read all instructions prior to installation and keep for future reference!

1. Product to be installed by a qualified electrician
2. Use only with class 2 power unit
3. 24 Volts DC
4. Suitable for dry locations only
5. Type IC (Ceiling and Wall) Inherently Protected.
6. 96W max, 24ft max, and 3 Electrical Joiners max per power feed.
7. Mechanical Joiners and End Cap isolate power circuits. Electrical Joiners are used to continue power down the track.
8. System shapes and power feed locations shown are for reference only. Refer to custom drawing package for the particulars of a specific custom system.



REVO.6  
10112023

26 / 27



7777 Merrimac Ave  
Niles, IL 60714  
T 224.333.6033  
F 224.757.7557  
info@luminii.com  
www.luminii.com

## Drywall Install and Plastering Process

<p><b>R.16</b></p>	<p><b>R.16</b> Assemble drywall sheets up to sides of track and secure using #6 drywall screws into the wood blocking and backer flanges if desired.</p>
	<p><b>R.17</b> Apply 2" wide mud/plaster tape to track and drywall, covering the track slots, as shown, and assemble track cover.</p>
	<p><b>R.18</b> Assemble mud/plaster compound over drywall, plaster tape, and up to lip of track as shown. Take care not to have debris accumulate on any contacts.</p>
<p><b>R.19</b> Once dry, sand the mud/plaster compound to a smooth finish. Then clean and paint.</p>	<p><b>R.20</b> Remove the track cover, if necessary, and thoroughly clean track and remove any debris or dust.</p>

# Stenos Installation Instructions

## Trimless Recessed Track

Please read all instructions prior to installation and keep for future reference!

1. Product to be installed by a qualified electrician
2. Use only with class 2 power unit
3. 24 Volts DC
4. Suitable for dry locations only
5. Type IC (Ceiling and Wall) Inherently Protected.
6. 96W max, 24ft max, and 3 Electrical Joiners max per power feed.
7. Mechanical Joiners and End Cap isolate power circuits. Electrical Joiners are used to continue power down the track.
8. System shapes and power feed locations shown are for reference only. Refer to custom drawing package for the particulars of a specific custom system.



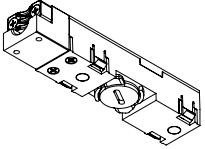
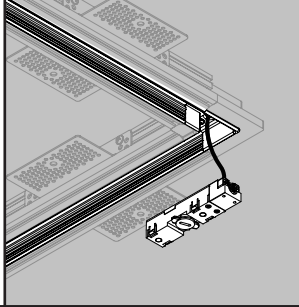
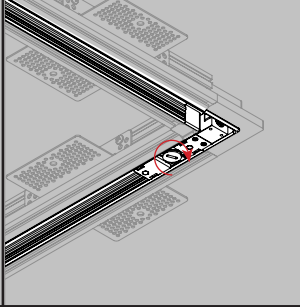
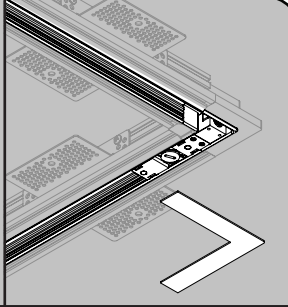
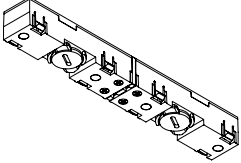
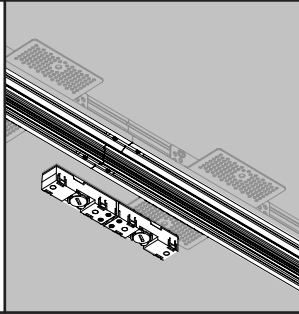
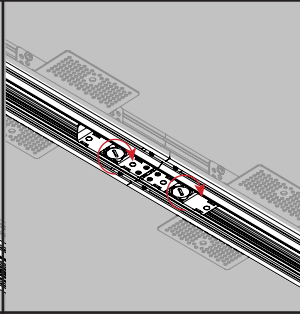
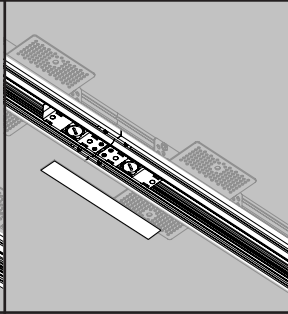
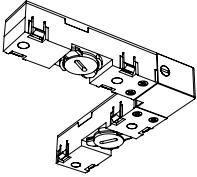
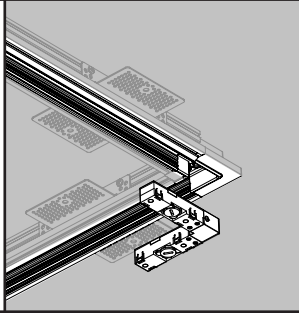
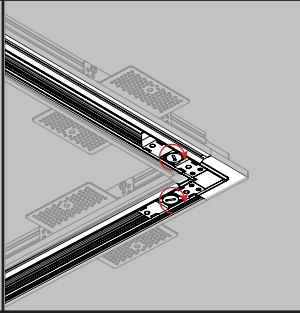
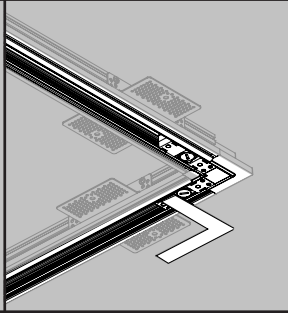
REVO.6  
10112023

27 / 27



7777 Merrimac Ave  
Niles, IL 60714  
T 224.333.6033  
F 224.757.7557  
info@luminii.com  
www.luminii.com

## Power Feed and Electrical Joiner (if applicable) Installation

<p><b>R.21</b></p> <p>Power Feed</p> 			
<p>Straight Joiner</p> 			
<p>L Joiner</p> 			
<p>Perform a continuity check between the track conductors and the power cable to ensure that the power feed is sitting properly in the track.</p>	<p><b>R.21</b> Snap Power Feed and/or Electrical Joiner into the track.</p>	<p><b>R.22</b> Rotate locking cam to secure to track.</p> <p style="border: 1px solid red; padding: 2px; display: inline-block; color: red;">Do not over-rotate locking cam.</p>	<p><b>R.23</b> Place magnetic cover plate over power feed and/or Electrical Joiner</p>