

MINIMO 16 PLUS FIXED IP54

19° NARROW BEAM



TECHNICAL DESCRIPTION

Minimo 16 Plus Fixed IP54 is a Constant Current single source pro-series downlight that is machined from aerospace grade aluminium 6063-T6 and comes as standard in white and black along with a range of premium finishes. It has four site-changeable optics for flexible beam distribution. The narrow beam in our 12.60W 1200lm module has a peak intensity of 6389cd. The integral accessory holder can accommodate 32mm lenses and louvers.

MECHANICAL & ELECTRICAL

CATEGORY IP54

MATERIAL Machined AL 6063-T6

PAN N/A

TILT N/A

LOCKABLE N/A

WEIGHT 264g | 0.58lb

WATTAGE 12.60W

FORWARD VOLTAGE 18V

DRIVE CURRENT 700mA

SUPPLY TYPE Constant Current

DRIVER LOCATION Remote

DIMMING DALI | 0-10V | 1-10V | Casambi

MOUNTING

MOUNTING Recessed

CEILING THICKNESS 3-25mm (0.12-0.98")

CUTOUT ø65mm (2.56")

MIN CEILING VOID 20mm (0.79") clearance above

FINISHES

FINISHES Brushed Aluminium | White RAL9010 | Black RAL9005 | Rubbed Bronze* | Polished Brass* | Polished Chrome*

*Premium & custom finishes are built & finished to order. These are subject to an extended lead time & MOQ.

OPTICAL & STANDARDS

NOMINAL LUMENS 1200lm

DELIVERED LUMENS 887lm

COLOUR TEMPERATURE 2400K | 2700K | 3000K

ACCESSORY HOLDER Integral

ACCESSORIES Louver | Lenses 32mm

TM65 13.53kgCO2e

TM66 2.2

BEAM ANGLE 19°

CRI 92 TYP - 2400K | 98 TYP - 2700K/3000K

TM-30 RF: 95 RG: 101

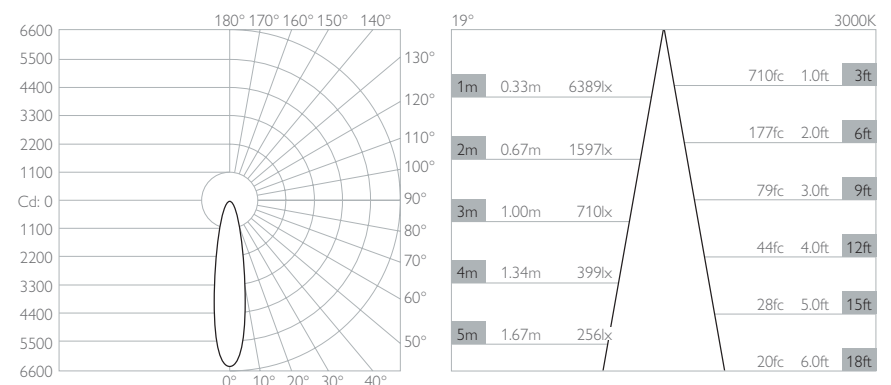
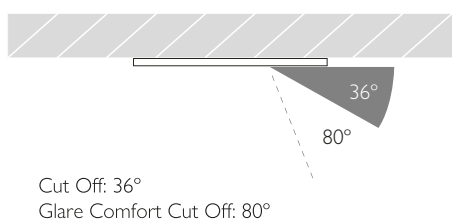
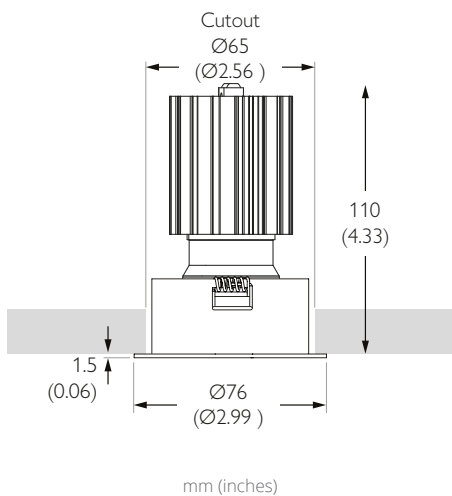
WARRANTY 5 Years

LIFETIME L90B10 50,000hrs

STANDARDS



Photometry shown is for 3000K module. Please enquire for other CCT photometry.



TRIM / BEZEL FINISH

White 9010	Black 9005	Brushed Aluminium	Rubbed Bronze*	Polished Brass*	Polished Chrome*
------------	------------	-------------------	----------------	-----------------	------------------

APERTURE FINISH	TRIM / BEZEL FINISH					
	White 9010	Black 9005	Brushed Aluminium	Rubbed Bronze*	Polished Brass*	Polished Chrome*
	White 9010	RCD-633C-WH-WH-XX98NA	RCD-633C-BK-WH-XX98NA	RCD-633C-AL-WH-XX98NA	RCD-633C-RB-WH-XX98NA	RCD-633C-PB-WH-XX98NA
Black 9005	RCD-633C-WH-BK-XX98NA	RCD-633C-BK-BK-XX98NA	RCD-633C-AL-BK-XX98NA	RCD-633C-RB-BK-XX98NA	RCD-633C-PB-BK-XX98NA	RCD-633C-CH-BK-XX98NA
Matt Gold Painted	RCD-633C-WH-MG-XX98NA	RCD-633C-BK-MG-XX98NA	RCD-633C-AL-MG-XX98NA	RCD-633C-RB-MG-XX98NA	RCD-633C-PB-MG-XX98NA	RCD-633C-CH-MG-XX98NA

*All premium & custom finishes are built & finished to order. These are subject to an extended lead time & MOQ

For 3000K Substitute XX with 30

For 2700K Substitute XX with 27

MINIMO 16 PLUS FIXED IP54

25° MEDIUM BEAM



TECHNICAL DESCRIPTION

Minimo 16 Plus Fixed IP54 is a Constant Current single source pro-series downlight that is machined from aerospace grade aluminium 6063-T6 and comes as standard in white and black along with a range of premium finishes. It has four site-changeable optics for flexible beam distribution. The medium beam in our 12.60W 1200lm module has a peak intensity of 5069cd. The integral accessory holder can accommodate 32mm lenses and louvers.

MECHANICAL & ELECTRICAL

CATEGORY IP54	WATTAGE 12.60W
MATERIAL Machined AL 6063-T6	FORWARD VOLTAGE 18V
PAN N/A	DRIVE CURRENT 700mA
TILT N/A	SUPPLY TYPE Constant Current
LOCKABLE N/A	DRIVER LOCATION Remote
WEIGHT 264g 0.58lb	DIMMING DALI 0-10V 1-10V Casambi

MOUNTING

MOUNTING Recessed	CUTOUT ø65mm (2.56")
CEILING THICKNESS 3-25mm (0.12-0.98")	MIN CEILING VOID 20mm (0.79") clearance above

FINISHES

FINISHES Brushed Aluminium | White RAL9010 | Black RAL9005 | Rubbed Bronze* | Polished Brass* | Polished Chrome*

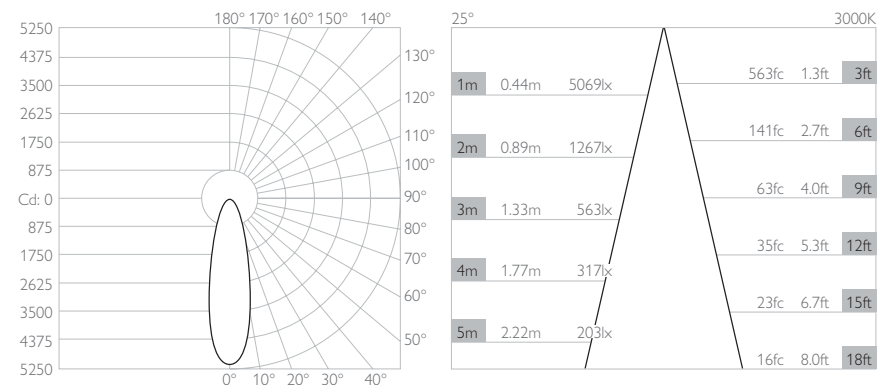
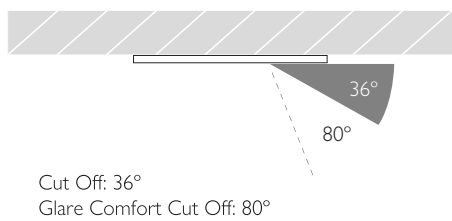
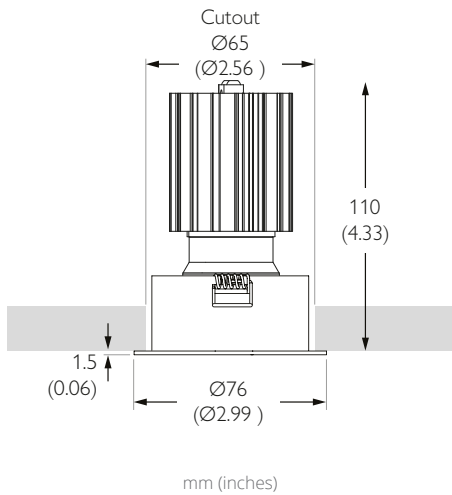
*Premium & custom finishes are built & finished to order. These are subject to an extended lead time & MOQ.

OPTICAL & STANDARDS

NOMINAL LUMENS 1200lm	BEAM ANGLE 25°
DELIVERED LUMENS 1001lm	CRI 92 TYP - 2400K 98 TYP - 2700K/3000K
COLOUR TEMPERATURE 2400K 2700K 3000K	TM-30 RF: 95 RG: 101
ACCESSORY HOLDER Integral	WARRANTY 5 Years
ACCESSORIES Louver Lenses 32mm	LIFETIME L90B10 50,000hrs
TM65 13.53kgCO2e	STANDARDS
TM66 2.2	



Photometry shown is for 3000K module. Please enquire for other CCT photometry.



TRIM / BEZEL FINISH

White 9010	Black 9005	Brushed Aluminium	Rubbed Bronze*	Polished Brass*	Polished Chrome*
------------	------------	-------------------	----------------	-----------------	------------------

APERTURE FINISH	White 9010	Black 9005	Brushed Aluminium	Rubbed Bronze*	Polished Brass*	Polished Chrome*	
	White 9010	RCD-633C-WH-WH-XX98ME	RCD-633C-BK-WH-XX98ME	RCD-633C-AL-WH-XX98ME	RCD-633C-RB-WH-XX98ME	RCD-633C-PB-WH-XX98ME	RCD-633C-CH-WH-XX98ME
	Black 9005	RCD-633C-WH-BK-XX98ME	RCD-633C-BK-BK-XX98ME	RCD-633C-AL-BK-XX98ME	RCD-633C-RB-BK-XX98ME	RCD-633C-PB-BK-XX98ME	RCD-633C-CH-BK-XX98ME
Matt Gold Painted	RCD-633C-WH-MG-XX98ME	RCD-633C-BK-MG-XX98ME	RCD-633C-AL-MG-XX98ME	RCD-633C-RB-MG-XX98ME	RCD-633C-PB-MG-XX98ME	RCD-633C-CH-MG-XX98ME	

*All premium & custom finishes are built & finished to order. These are subject to an extended lead time & MOQ

For 3000K Substitute XX with 30

For 2700K Substitute XX with 27

MINIMO 16 PLUS FIXED IP54

37° WIDE BEAM



TECHNICAL DESCRIPTION

Minimo 16 Plus Fixed IP54 is a Constant Current single source pro-series downlight that is machined from aerospace grade aluminium 6063-T6 and comes as standard in white and black along with a range of premium finishes. It has four site-changeable optics for flexible beam distribution. The wide beam in our 12.60W 1200lm module has a peak intensity of 2473cd. The integral accessory holder can accommodate 32mm lenses and louvers.

MECHANICAL & ELECTRICAL

CATEGORY IP54

MATERIAL Machined AL 6063-T6

PAN N/A

TILT N/A

LOCKABLE N/A

WEIGHT 264g | 0.58lb

WATTAGE 12.60W

FORWARD VOLTAGE 18V

DRIVE CURRENT 700mA

SUPPLY TYPE Constant Current

DRIVER LOCATION Remote

DIMMING DALI | 0-10V | 1-10V | Casambi

MOUNTING

MOUNTING Recessed

CEILING THICKNESS 3-25mm (0.12-0.98")

CUTOUT ø65mm (2.56")

MIN CEILING VOID 20mm (0.79") clearance above

FINISHES

FINISHES Brushed Aluminium | White RAL9010 | Black RAL9005 | Rubbed Bronze* | Polished Brass* | Polished Chrome*

*Premium & custom finishes are built & finished to order. These are subject to an extended lead time & MOQ.

OPTICAL & STANDARDS

NOMINAL LUMENS 1200lm

DELIVERED LUMENS 997lm

COLOUR TEMPERATURE 2400K | 2700K | 3000K

ACCESSORY HOLDER Integral

ACCESSORIES Louver | Lenses 32mm

TM65 13.53kgCO2e

TM66 2.2

BEAM ANGLE 37°

CRI 92 TYP - 2400K | 98 TYP - 2700K/3000K

TM-30 RF: 95 RG: 101

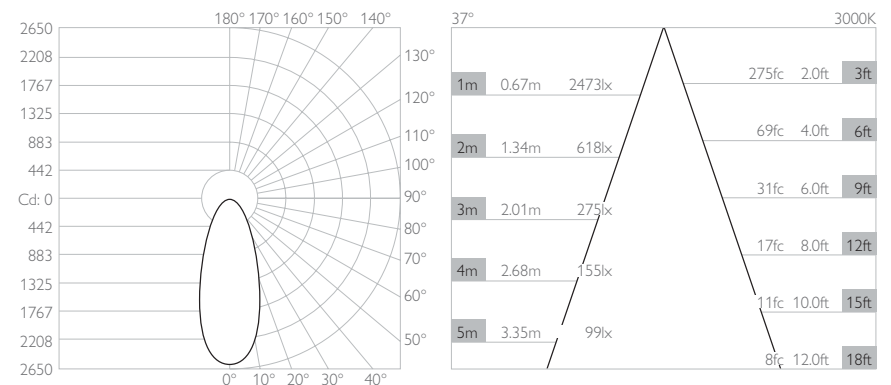
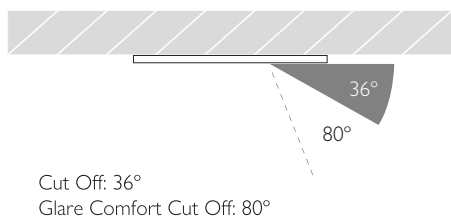
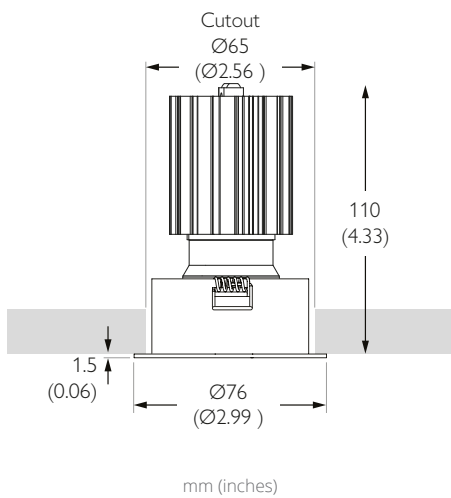
WARRANTY 5 Years

LIFETIME L90B10 50,000hrs

STANDARDS



Photometry shown is for 3000K module. Please enquire for other CCT photometry.



TRIM / BEZEL FINISH

White 9010	Black 9005	Brushed Aluminium	Rubbed Bronze*	Polished Brass*	Polished Chrome*
------------	------------	-------------------	----------------	-----------------	------------------

APERTURE FINISH	White 9010	RCD-633C-WH-WH-XX98FL	RCD-633C-BK-WH-XX98FL	RCD-633C-AL-WH-XX98FL	RCD-633C-RB-WH-XX98FL	RCD-633C-PB-WH-XX98FL	RCD-633C-CH-WH-XX98FL
	Black 9005	RCD-633C-WH-BK-XX98FL	RCD-633C-BK-BK-XX98FL	RCD-633C-AL-BK-XX98FL	RCD-633C-RB-BK-XX98FL	RCD-633C-PB-BK-XX98FL	RCD-633C-CH-BK-XX98FL
	Matt Gold Painted	RCD-633C-WH-MG-XX98FL	RCD-633C-BK-MG-XX98FL	RCD-633C-BK-AL-XX98FL	RCD-633C-RB-MG-XX98FL	RCD-633C-PB-MG-XX98FL	RCD-633C-CH-MG-XX98FL

*All premium & custom finishes are built & finished to order. These are subject to an extended lead time & MOQ

For 3000K Substitute XX with 30

For 2700K Substitute XX with 27

MINIMO 16 PLUS FIXED IP54

50° VERY WIDE BEAM



TECHNICAL DESCRIPTION

Minimo 16 Plus Fixed IP54 is a Constant Current single source pro-series downlight that is machined from aerospace grade aluminium 6063-T6 and comes as standard in white and black along with a range of premium finishes. It has four site-changeable optics for flexible beam distribution. The very wide beam in our 12.60W 1200lm module has a peak intensity of 1537cd. The integral accessory holder can accommodate 32mm lenses and louvers.

MECHANICAL & ELECTRICAL

CATEGORY IP54

MATERIAL Machined AL 6063-T6

PAN N/A

TILT N/A

LOCKABLE N/A

WEIGHT 264g | 0.58lb

WATTAGE 12.60W

FORWARD VOLTAGE 18V

DRIVE CURRENT 700mA

SUPPLY TYPE Constant Current

DRIVER LOCATION Remote

DIMMING DALI | 0-10V | 1-10V | Casambi

MOUNTING

MOUNTING Recessed

CEILING THICKNESS 3-25mm (0.12-0.98")

CUTOUT ø65mm (2.56")

MIN CEILING VOID 20mm (0.79") clearance above

FINISHES

FINISHES Brushed Aluminium | White RAL9010 | Black RAL9005 | Rubbed Bronze* | Polished Brass* | Polished Chrome*

*Premium & custom finishes are built & finished to order. These are subject to an extended lead time & MOQ.

OPTICAL & STANDARDS

NOMINAL LUMENS 1200lm

DELIVERED LUMENS 912lm

COLOUR TEMPERATURE 2400K | 2700K | 3000K

ACCESSORY HOLDER Integral

ACCESSORIES Louver | Lenses 32mm

TM65 13.53kgCO2e

TM66 2.2

BEAM ANGLE 50°

CRI 92 TYP - 2400K | 98 TYP - 2700K/3000K

TM-30 RF: 95 RG: 101

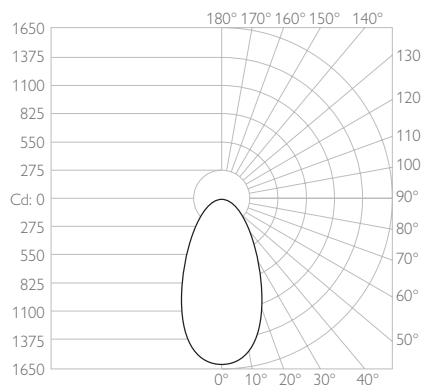
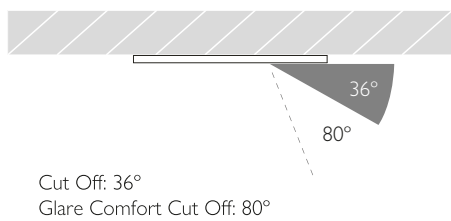
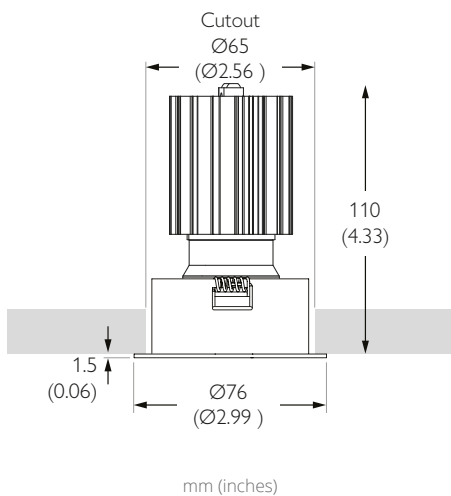
WARRANTY 5 Years

LIFETIME L90B10 50,000hrs

STANDARDS



Photometry shown is for 3000K module. Please enquire for other CCT photometry.



Distance	Beam Diameter	Beam Diameter	Beam Diameter	Beam Diameter	Beam Diameter	Beam Diameter
1m	0.93m	1537lx	171fc	2.8ft	3ft	
2m	1.87m	384lx	43fc	5.6ft	6ft	
3m	2.80m	171lx	19fc	8.4ft	9ft	
4m	3.73m	96lx	11fc	11.2ft	12ft	
5m	4.66m	61lx	7fc	14.0ft	15ft	
			5fc	16.8ft	18ft	

TRIM / BEZEL FINISH

White 9010	Black 9005	Brushed Aluminium	Rubbed Bronze*	Polished Brass*	Polished Chrome*
------------	------------	-------------------	----------------	-----------------	------------------

APERTURE FINISH	White 9010	RCD-633C-WH-WH-XX98WF	RCD-633C-BK-WH-XX98WF	RCD-633C-AL-WH-XX98WF	RCD-633C-RB-WH-XX98WF	RCD-633C-PB-WH-XX98WF	RCD-633C-CH-WH-XX98WF
	Black 9005	RCD-633C-WH-BK-XX98WF	RCD-633C-BK-BK-XX98WF	RCD-633C-AL-BK-XX98WF	RCD-633C-RB-BK-XX98WF	RCD-633C-PB-BK-XX98WF	RCD-633C-CH-BK-XX98WF
	Matt Gold Painted	RCD-633C-WH-MG-XX98WF	RCD-633C-BK-MG-XX98WF	RCD-633C-BK-AL-XX98WF	RCD-633C-RB-MG-XX98WF	RCD-633C-PB-MG-XX98WF	RCD-633C-CH-MG-XX98WF

*All premium & custom finishes are built & finished to order. These are subject to an extended lead time & MOQ

For 3000K Substitute XX with 30

For 2700K Substitute XX with 27