

MINIMO 16 PLUS ADJUSTABLE TRIMLESS

19° NARROW BEAM



TECHNICAL DESCRIPTION

Minimo 16 Plus Adjustable Trimless is a Constant Current single source pro-series downlight that is machined from aerospace grade aluminium 6063-T6 and comes as standard in white and black along with a range of premium finishes. It has four site-changeable optics for flexible beam distribution and is fully adjustable with 360° pan and 35° tilt without breaking the ceiling line. The narrow beam in our 12.60W 1200lm module has a peak intensity of 6389cd. The integral accessory holder can accommodate 32mm lenses and louvers.

MECHANICAL & ELECTRICAL

CATEGORY IP20

MATERIAL Machined AL 6063-T6

PAN 360°

TILT 35°

LOCKABLE N/A

WEIGHT 249g | 0.55lb

WATTAGE 12.60W

FORWARD VOLTAGE 18V

DRIVE CURRENT 700mA

SUPPLY TYPE Constant Current

DRIVER LOCATION Remote

DIMMING DALI | 0-10V | 1-10V | Casambi

MOUNTING

MOUNTING Recessed

CEILING THICKNESS min 5mm (0.20")

CUTOUT ø76mm (3.00")

MIN CEILING VOID 20mm (0.79") clearance above

FINISHES

FINISHES White RAL9010 | Black RAL9005 | Matt Gold Paint

*Premium & custom finishes are built & finished to order. These are subject to an extended lead time & MOQ.

OPTICAL & STANDARDS

NOMINAL LUMENS 1200lm

DELIVERED LUMENS 887lm

COLOUR TEMPERATURE 2400K | 2700K | 3000K

ACCESSORY HOLDER Integral

ACCESSORIES Louver | Lenses 32mm

TM65 13.09kgCO2e

TM66 2.2

BEAM ANGLE 19°

CRI 92 TYP - 2400K | 98 TYP - 2700K/3000K

TM-30 RF: 95 RG: 101

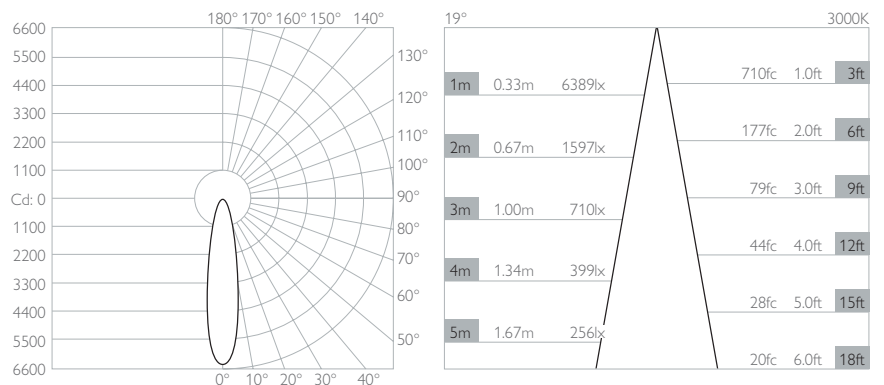
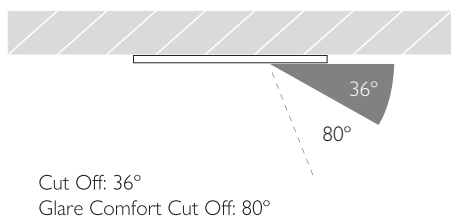
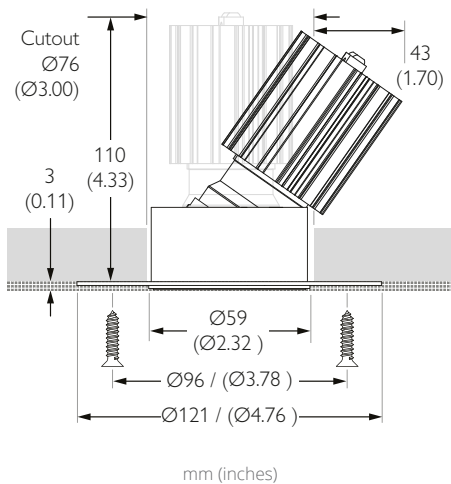
WARRANTY 5 Years

LIFETIME L90B10 50,000hrs

STANDARDS



Photometry shown is for 3000K module. Please enquire for other CCT photometry.



APERTURE FINISH

White 9010	Black 9005	Matt Gold Painted
RCT-635C-WH-XX98NA	RCT-635C-BK-XX98NA	RCT-635C-MG-XX98NA

*All premium & custom finishes are built & finished to order. These are subject to an extended lead time & MOQ

For 3000K Substitute XX with 30

For 2700K Substitute XX with 27

MINIMO 16 PLUS ADJUSTABLE TRIMLESS

25° MEDIUM BEAM



TECHNICAL DESCRIPTION

Minimo 16 Plus Adjustable Trimless is a Constant Current single source pro-series downlight that is machined from aerospace grade aluminium 6063-T6 and comes as standard in white and black along with a range of premium finishes. It has four site-changeable optics for flexible beam distribution and is fully adjustable with 360° pan and 35° tilt without breaking the ceiling line. The medium beam in our 12.60W 1200lm module has a peak intensity of 5069cd. The integral accessory holder can accommodate 32mm lenses and louvers.

MECHANICAL & ELECTRICAL

CATEGORY IP20

MATERIAL Machined AL 6063-T6

PAN 360°

TILT 35°

LOCKABLE N/A

WEIGHT 249g | 0.55lb

WATTAGE 12.60W

FORWARD VOLTAGE 18V

DRIVE CURRENT 700mA

SUPPLY TYPE Constant Current

DRIVER LOCATION Remote

DIMMING DALI | 0-10V | 1-10V | Casambi

MOUNTING

MOUNTING Recessed

CEILING THICKNESS min 5mm (0.20")

CUTOUT ø76mm (3.00")

MIN CEILING VOID 20mm (0.79") clearance above

FINISHES

FINISHES White RAL9010 | Black RAL9005 | Matt Gold Paint

*Premium & custom finishes are built & finished to order. These are subject to an extended lead time & MOQ.

OPTICAL & STANDARDS

NOMINAL LUMENS 1200lm

DELIVERED LUMENS 1001lm

COLOUR TEMPERATURE 2400K | 2700K | 3000K

ACCESSORY HOLDER Integral

ACCESSORIES Louver | Lenses 32mm

TM65 13.09kgCO2e

TM66 2.2

BEAM ANGLE 25°

CRI 92 TYP - 2400K | 98 TYP - 2700K/3000K

TM-30 RF: 95 RG: 101

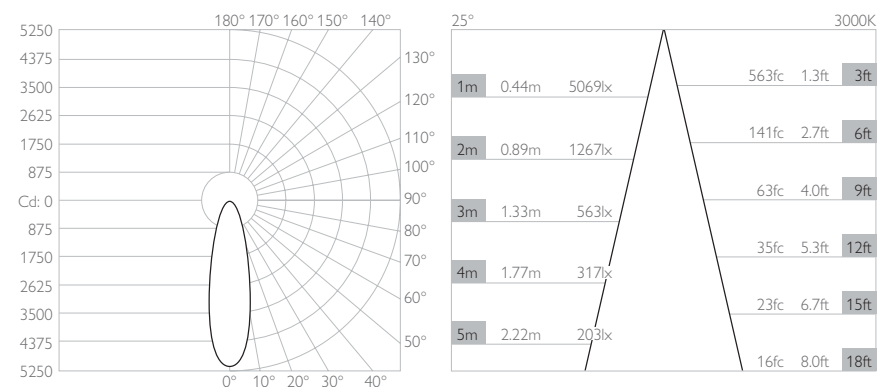
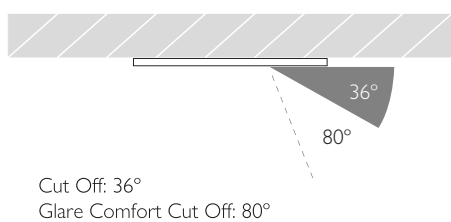
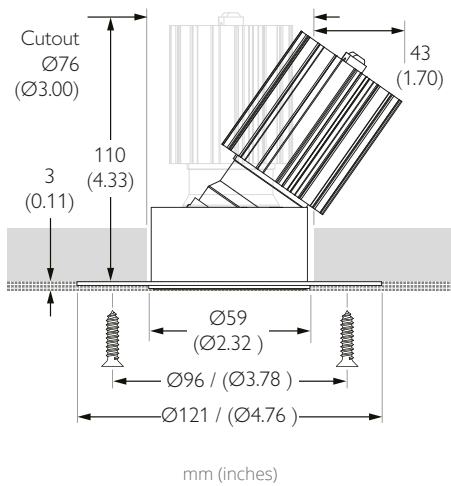
WARRANTY 5 Years

LIFETIME L90B10 50,000hrs

STANDARDS



Photometry shown is for 3000K module. Please enquire for other CCT photometry.



APERTURE FINISH

White 9010	Black 9005	Matt Gold Painted
RCT-635C-WH-XX98ME	RCT-635C-BK-XX98ME	RCT-635C-MG-XX98ME

*All premium & custom finishes are built & finished to order. These are subject to an extended lead time & MOQ

For 3000K Substitute XX with 30

For 2700K Substitute XX with 27

MINIMO 16 PLUS ADJUSTABLE TRIMLESS

37° WIDE BEAM



TECHNICAL DESCRIPTION

Minimo 16 Plus Adjustable Trimless is a Constant Current single source pro-series downlight that is machined from aerospace grade aluminium 6063-T6 and comes as standard in white and black along with a range of premium finishes. It has four site-changeable optics for flexible beam distribution and is fully adjustable with 360° pan and 35° tilt without breaking the ceiling line. The wide beam in our 12.60W 1200lm module has a peak intensity of 2473cd. The integral accessory holder can accommodate 32mm lenses and louvers.

MECHANICAL & ELECTRICAL

CATEGORY IP20

MATERIAL Machined AL 6063-T6

PAN 360°

TILT 35°

LOCKABLE N/A

WEIGHT 249g | 0.55lb

WATTAGE 12.60W

FORWARD VOLTAGE 18V

DRIVE CURRENT 700mA

SUPPLY TYPE Constant Current

DRIVER LOCATION Remote

DIMMING DALI | 0-10V | 1-10V | Casambi

MOUNTING

MOUNTING Recessed

CEILING THICKNESS min 5mm (0.20")

CUTOUT ø76mm (3.00")

MIN CEILING VOID 20mm (0.79") clearance above

FINISHES

FINISHES White RAL9010 | Black RAL9005 | Matt Gold Paint

*Premium & custom finishes are built & finished to order. These are subject to an extended lead time & MOQ.

OPTICAL & STANDARDS

NOMINAL LUMENS 1200lm

DELIVERED LUMENS 997lm

COLOUR TEMPERATURE 2400K | 2700K | 3000K

ACCESSORY HOLDER Integral

ACCESSORIES Louver | Lenses 32mm

TM65 13.09kgCO2e

TM66 2.2

BEAM ANGLE 37°

CRI 92 TYP - 2400K | 98 TYP - 2700K/3000K

TM-30 RF: 95 RG: 101

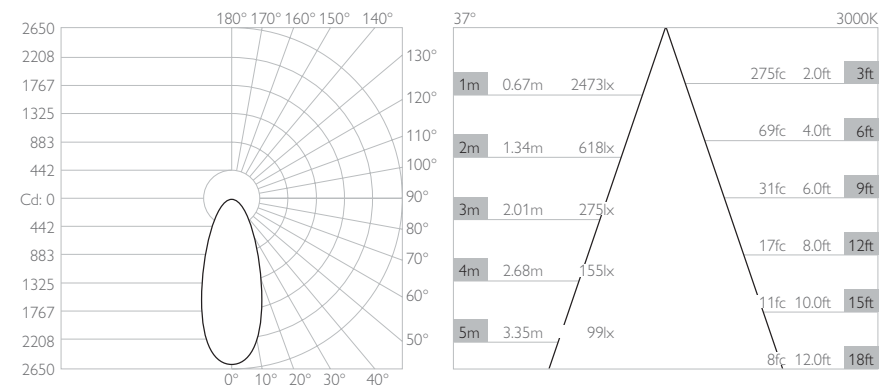
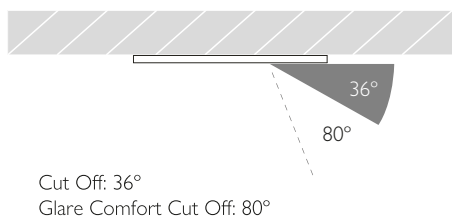
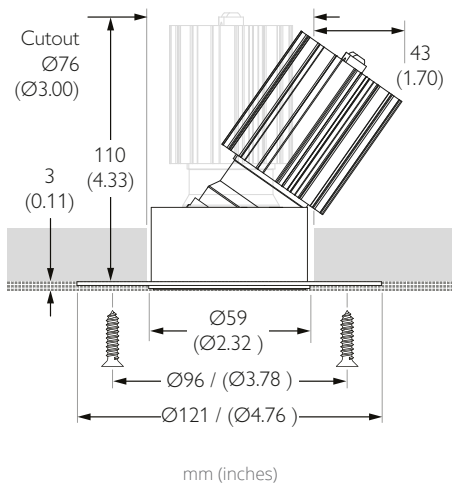
WARRANTY 5 Years

LIFETIME L90B10 50,000hrs

STANDARDS



Photometry shown is for 3000K module. Please enquire for other CCT photometry.



APERTURE FINISH

White 9010	Black 9005	Matt Gold Painted
RCT-635C-WH-XX98FL	RCT-635C-BK-XX98FL	RCT-635C-MG-XX98FL

*All premium & custom finishes are built & finished to order. These are subject to an extended lead time & MOQ

For 3000K Substitute XX with 30

For 2700K Substitute XX with 27

MINIMO 16 PLUS ADJUSTABLE TRIMLESS

50° VERY WIDE BEAM



TECHNICAL DESCRIPTION

Minimo 16 Plus Adjustable Trimless is a Constant Current single source pro-series downlight that is machined from aerospace grade aluminium 6063-T6 and comes as standard in white and black along with a range of premium finishes. It has four site-changeable optics for flexible beam distribution and is fully adjustable with 360° pan and 35° tilt without breaking the ceiling line. The very wide beam in our 12.60W 1200lm module has a peak intensity of 1537cd. The integral accessory holder can accommodate 32mm lenses and louvers.

MECHANICAL & ELECTRICAL

CATEGORY IP20

MATERIAL Machined AL 6063-T6

PAN 360°

TILT 35°

LOCKABLE N/A

WEIGHT 249g | 0.55lb

WATTAGE 12.60W

FORWARD VOLTAGE 18V

DRIVE CURRENT 700mA

SUPPLY TYPE Constant Current

DRIVER LOCATION Remote

DIMMING DALI | 0-10V | 1-10V | Casambi

MOUNTING

MOUNTING Recessed

CEILING THICKNESS min 5mm (0.20")

CUTOUT ø76mm (3.00")

MIN CEILING VOID 20mm (0.79") clearance above

FINISHES

FINISHES White RAL9010 | Black RAL9005 | Matt Gold Paint

*Premium & custom finishes are built & finished to order. These are subject to an extended lead time & MOQ.

OPTICAL & STANDARDS

NOMINAL LUMENS 1200lm

DELIVERED LUMENS 912lm

COLOUR TEMPERATURE 2400K | 2700K | 3000K

ACCESSORY HOLDER Integral

ACCESSORIES Louver | Lenses 32mm

TM65 13.09kgCO2e

TM66 2.2

BEAM ANGLE 50°

CRI 92 TYP - 2400K | 98 TYP - 2700K/3000K

TM-30 RF: 95 RG: 101

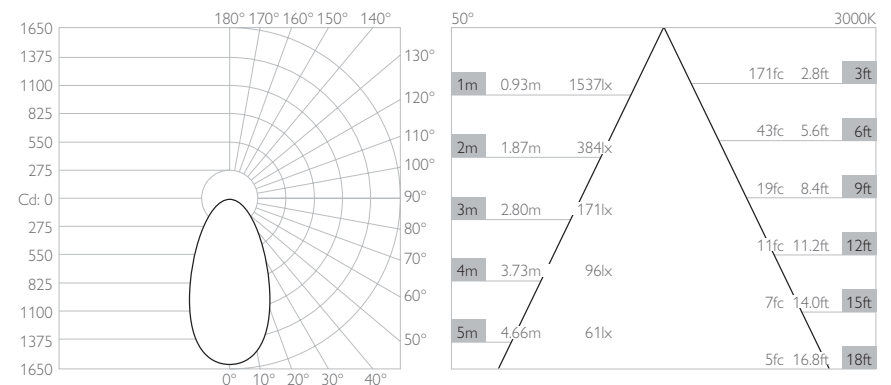
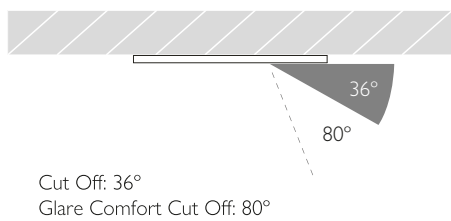
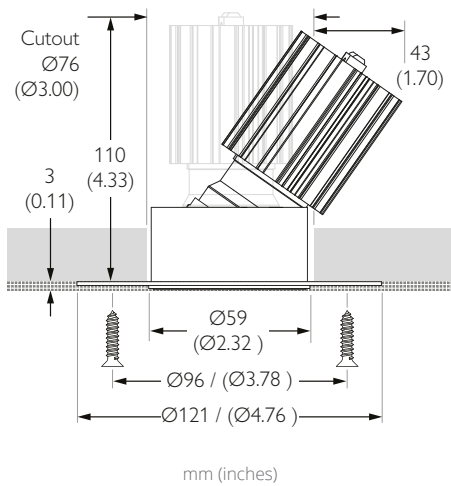
WARRANTY 5 Years

LIFETIME L90B10 50,000hrs

STANDARDS



Photometry shown is for 3000K module. Please enquire for other CCT photometry.



APERTURE FINISH

White 9010	Black 9005	Matt Gold Painted
RCT-635C-WH-XX98WF	RCT-635C-BK-XX98WF	RCT-635C-MG-XX98WF

*All premium & custom finishes are built & finished to order. These are subject to an extended lead time & MOQ

For 3000K Substitute XX with 30

For 2700K Substitute XX with 27