

MINIMO 16 ADJUSTABLE PINHOLE IP54

ULTRA NARROW



TECHNICAL DESCRIPTION

Minimo 16 Adjustable Pinhole IP54 is a Constant Current single source LED downlight that is machined from aerospace grade aluminium 6063-T6 and comes as standard in white and black. It has five site-changeable optics for flexible beam distribution and is fully adjustable with 360° pan and 35° tilt without breaking the ceiling line. The ultra narrow beam in our 8.40W 700lm module has a peak intensity of 12512cd. The integral accessory holder can accommodate 32mm lenses and louvers.

MECHANICAL & ELECTRICAL

CATEGORY IP54	WATTAGE 8.40W
MATERIAL Machined AL 6063-T6	FORWARD VOLTAGE 12V
PAN 360°	DRIVE CURRENT 700mA
TILT 35°	SUPPLY TYPE Constant Current
LOCKABLE N/A	DRIVER LOCATION Remote
WEIGHT 264g 0.58lb	DIMMING DALI 0-10V 1-10V

MOUNTING

MOUNTING Recessed	CUTOUT ø65mm (2.56")
CEILING THICKNESS 3-25mm (0.12-0.98")	MIN CEILING VOID 20mm (0.79") clearance above

FINISHES

FINISHES White RAL9010 | Black RAL9005

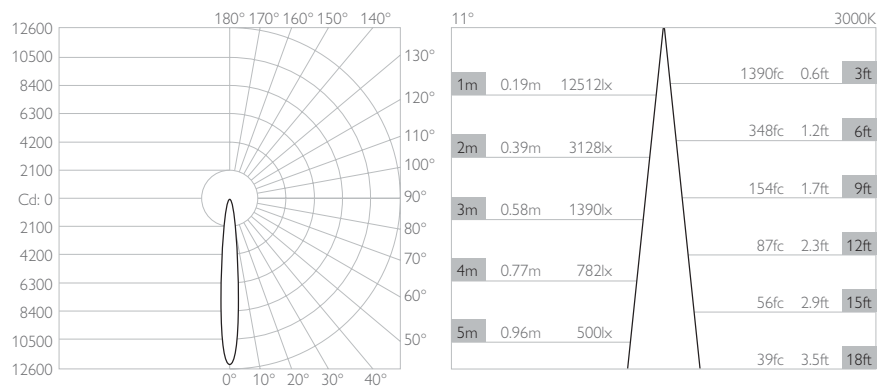
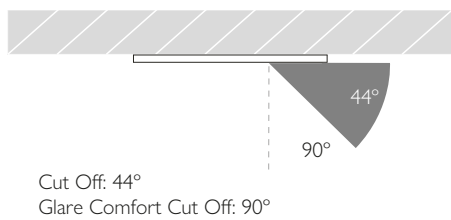
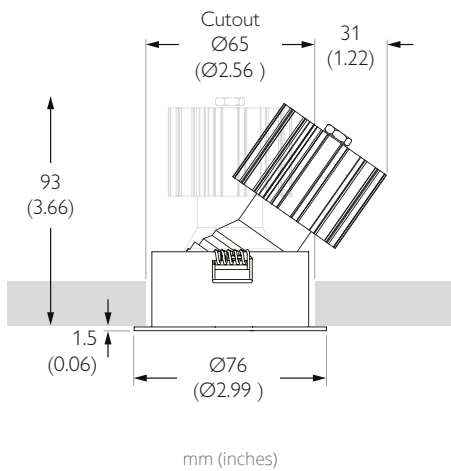
*Premium & custom finishes are built & finished to order. These are subject to an extended lead time & MOQ.

OPTICAL & STANDARDS

NOMINAL LUMENS 700lm	BEAM ANGLE 11°
DELIVERED LUMENS 661lm	CRI 92 TYP
COLOUR TEMPERATURE 2700K 3000K	TM-30 RF: 90 RG: 99
ACCESSORY HOLDER Integral	WARRANTY 5 Years
ACCESSORIES Louver Lenses 32mm	STANDARDS



Photometry shown is for 3000K module. Please enquire for other CCT photometry. L90 50,000 hours.



LUMINAIRE FINISH

White 9010	Black 9005
RCD-638-WH-XX9209	RCD-638-BK-XX9209

*All premium & custom finishes are built & finished to order. These are subject to an extended lead time & MOQ

MINIMO 16 ADJUSTABLE PINHOLE IP54

NARROW



TECHNICAL DESCRIPTION

Minimo 16 Adjustable Pinhole IP54 is a Constant Current single source LED downlight that is machined from aerospace grade aluminium 6063-T6 and comes as standard in white and black. It has five site-changeable optics for flexible beam distribution and is fully adjustable with 360° pan and 35° tilt without breaking the ceiling line. The narrow beam in our 8.40W 700lm module has a peak intensity of 8971cd. The integral accessory holder can accommodate 32mm lenses and louvers.

MECHANICAL & ELECTRICAL

CATEGORY IP54	WATTAGE 8.40W
MATERIAL Machined AL 6063-T6	FORWARD VOLTAGE 12V
PAN 360°	DRIVE CURRENT 700mA
TILT 35°	SUPPLY TYPE Constant Current
LOCKABLE N/A	DRIVER LOCATION Remote
WEIGHT 264g 0.58lb	DIMMING DALI 0-10V 1-10V

MOUNTING

MOUNTING Recessed	CUTOUT ø65mm (2.56")
CEILING THICKNESS 3-25mm (0.12-0.98")	MIN CEILING VOID 20mm (0.79") clearance above

FINISHES

FINISHES White RAL9010 | Black RAL9005

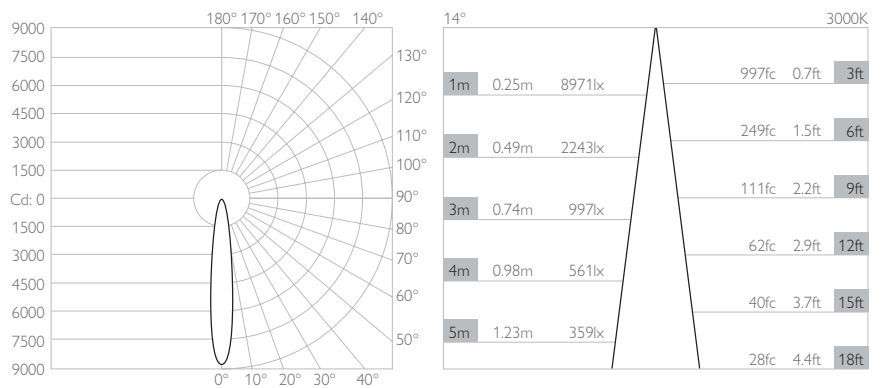
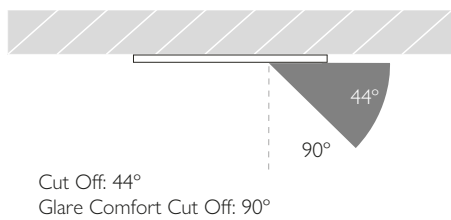
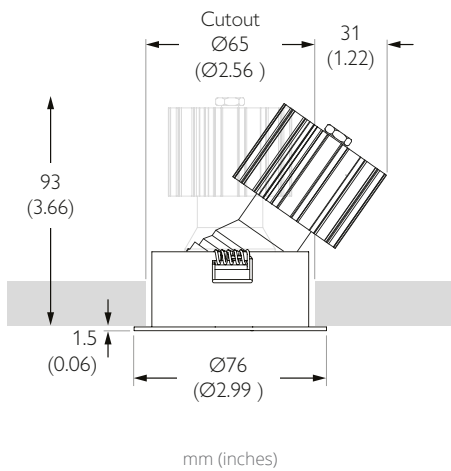
*Premium & custom finishes are built & finished to order. These are subject to an extended lead time & MOQ.

OPTICAL & STANDARDS

NOMINAL LUMENS 700lm	BEAM ANGLE 14°
DELIVERED LUMENS 650lm	CRI 92 TYP
COLOUR TEMPERATURE 2700K 3000K	TM-30 RF: 90 RG: 99
ACCESSORY HOLDER Integral	WARRANTY 5 Years
ACCESSORIES Louver Lenses 32mm	STANDARDS



Photometry shown is for 3000K module. Please enquire for other CCT photometry. L90 50,000 hours.



LUMINAIRE FINISH

White 9010	Black 9005
RCD-638-WH-XX9211	RCD-638-BK-XX9211

*All premium & custom finishes are built & finished to order. These are subject to an extended lead time & MOQ

For 3000K Substitute XX with 30

For 2700K Substitute XX with 27

MINIMO 16 ADJUSTABLE PINHOLE IP54

MEDIUM



TECHNICAL DESCRIPTION

Minimo 16 Adjustable Pinhole IP54 is a Constant Current single source LED downlight that is machined from aerospace grade aluminium 6063-T6 and comes as standard in white and black. It has five site-changeable optics for flexible beam distribution and is fully adjustable with 360° pan and 35° tilt without breaking the ceiling line. The medium beam in our 8.40W 700lm module has a peak intensity of 5754cd. The integral accessory holder can accommodate 32mm lenses and louvers.

MECHANICAL & ELECTRICAL

CATEGORY IP54	WATTAGE 8.40W
MATERIAL Machined AL 6063-T6	FORWARD VOLTAGE 12V
PAN 360°	DRIVE CURRENT 700mA
TILT 35°	SUPPLY TYPE Constant Current
LOCKABLE N/A	DRIVER LOCATION Remote
WEIGHT 264g 0.58lb	DIMMING DALI 0-10V 1-10V

MOUNTING

MOUNTING Recessed	CUTOUT ø65mm (2.56")
CEILING THICKNESS 3-25mm (0.12-0.98")	MIN CEILING VOID 20mm (0.79") clearance above

FINISHES

FINISHES White RAL9010 | Black RAL9005

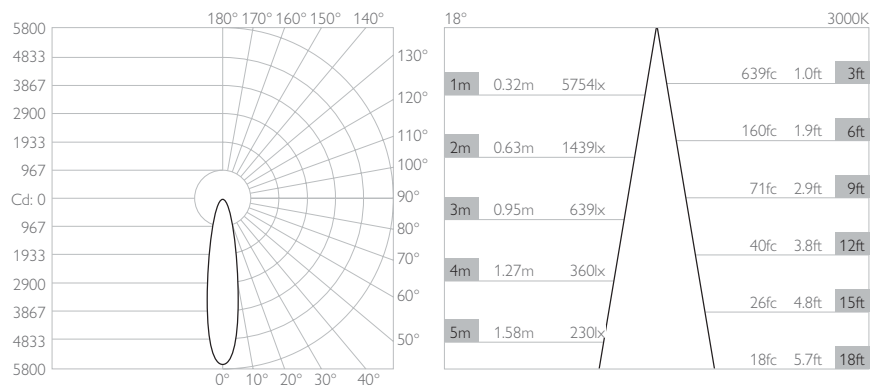
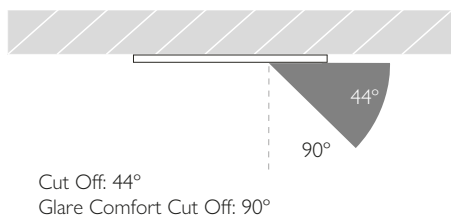
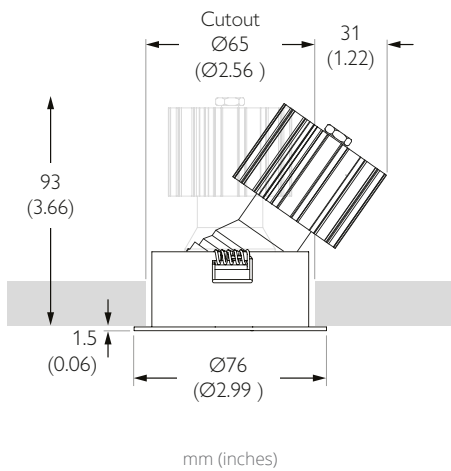
*Premium & custom finishes are built & finished to order. These are subject to an extended lead time & MOQ.

OPTICAL & STANDARDS

NOMINAL LUMENS 700lm	BEAM ANGLE 18°
DELIVERED LUMENS 643lm	CRI 92 TYP
COLOUR TEMPERATURE 2700K 3000K	TM-30 RF: 90 RG: 99
ACCESSORY HOLDER Integral	WARRANTY 5 Years
ACCESSORIES Louver Lenses 32mm	STANDARDS



Photometry shown is for 3000K module. Please enquire for other CCT photometry. L90 50,000 hours.



LUMINAIRE FINISH

White 9010	Black 9005
RCD-638-WH-XX9215	RCD-638-BK-XX9215

*All premium & custom finishes are built & finished to order. These are subject to an extended lead time & MOQ

For 3000K Substitute XX with 30

For 2700K Substitute XX with 27

MINIMO 16 ADJUSTABLE PINHOLE IP54

FLOOD



TECHNICAL DESCRIPTION

Minimo 16 Adjustable Pinhole IP54 is a Constant Current single source LED downlight that is machined from aerospace grade aluminium 6063-T6 and comes as standard in white and black. It has five site-changeable optics for flexible beam distribution and is fully adjustable with 360° pan and 35° tilt without breaking the ceiling line. The flood beam in our 8.40W 700lm module has a peak intensity of 1813cd. The integral accessory holder can accommodate 32mm lenses and louvers.

MECHANICAL & ELECTRICAL

CATEGORY IP54	WATTAGE 8.40W
MATERIAL Machined AL 6063-T6	FORWARD VOLTAGE 12V
PAN 360°	DRIVE CURRENT 700mA
TILT 35°	SUPPLY TYPE Constant Current
LOCKABLE N/A	DRIVER LOCATION Remote
WEIGHT 264g 0.58lb	DIMMING DALI 0-10V 1-10V

MOUNTING

MOUNTING Recessed	CUTOUT ø65mm (2.56")
CEILING THICKNESS 3-25mm (0.12-0.98")	MIN CEILING VOID 20mm (0.79") clearance above

FINISHES

FINISHES White RAL9010 | Black RAL9005

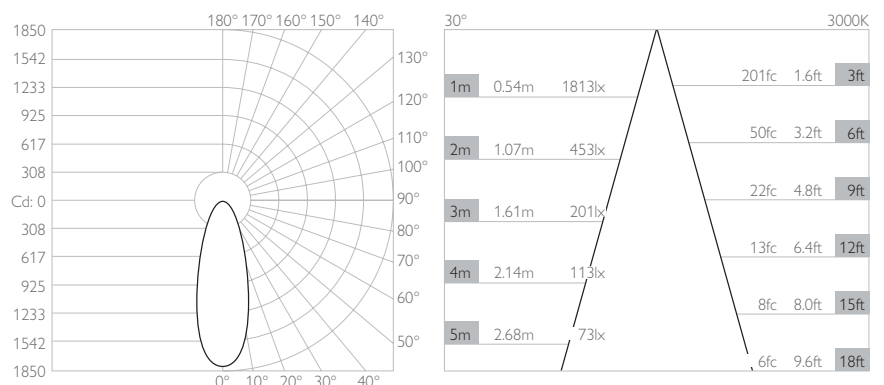
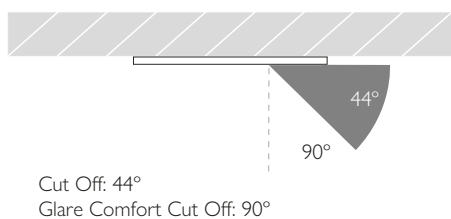
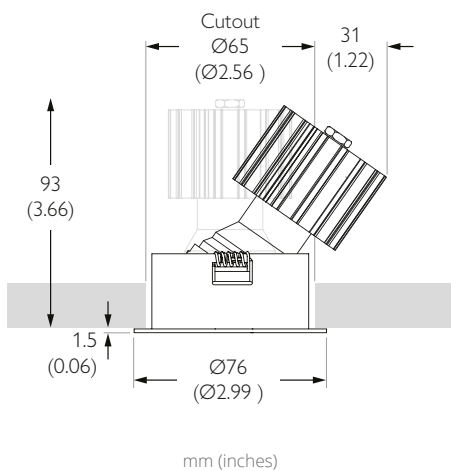
*Premium & custom finishes are built & finished to order. These are subject to an extended lead time & MOQ.

OPTICAL & STANDARDS

NOMINAL LUMENS 700lm	BEAM ANGLE 30°
DELIVERED LUMENS 555lm	CRI 92 TYP
COLOUR TEMPERATURE 2700K 3000K	TM-30 RF: 90 RG: 99
ACCESSORY HOLDER Integral	WARRANTY 5 Years
ACCESSORIES Louver Lenses 32mm	STANDARDS



Photometry shown is for 3000K module. Please enquire for other CCT photometry. L90 50,000 hours.



LUMINAIRE FINISH

White 9010	Black 9005
RCD-638-WH-XX9225	RCD-638-BK-XX9225

*All premium & custom finishes are built & finished to order. These are subject to an extended lead time & MOQ

For 3000K Substitute XX with 30

For 2700K Substitute XX with 27

MINIMO 16 ADJUSTABLE PINHOLE IP54

WIDE FLOOD



TECHNICAL DESCRIPTION

Minimo 16 Adjustable Pinhole IP54 is a Constant Current single source LED downlight that is machined from aerospace grade aluminium 6063-T6 and comes as standard in white and black. It has five site-changeable optics for flexible beam distribution and is fully adjustable with 360° pan and 35° tilt without breaking the ceiling line. The wide flood beam in our 8.40W 700lm module has a peak intensity of 660cd. The integral accessory holder can accommodate 32mm lenses and louvers.

MECHANICAL & ELECTRICAL

CATEGORY IP54	WATTAGE 8.40W
MATERIAL Machined AL 6063-T6	FORWARD VOLTAGE 12V
PAN 360°	DRIVE CURRENT 700mA
TILT 35°	SUPPLY TYPE Constant Current
LOCKABLE N/A	DRIVER LOCATION Remote
WEIGHT 264g 0.58lb	DIMMING DALI 0-10V 1-10V

MOUNTING

MOUNTING Recessed	CUTOUT ø65mm (2.56")
CEILING THICKNESS 3-25mm (0.12-0.98")	MIN CEILING VOID 20mm (0.79") clearance above

FINISHES

FINISHES White RAL9010 | Black RAL9005

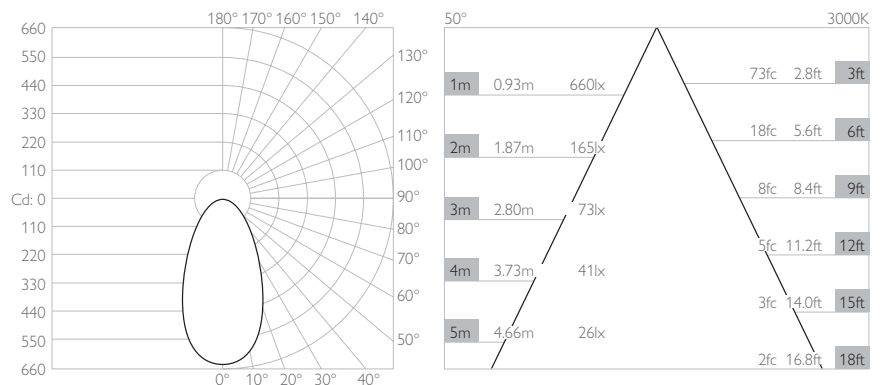
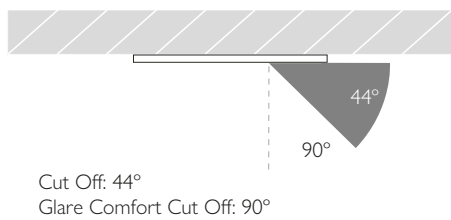
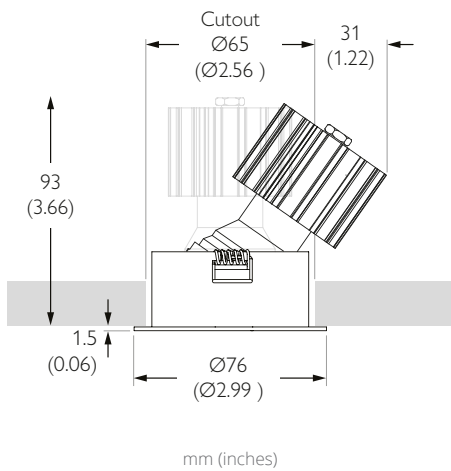
*Premium & custom finishes are built & finished to order. These are subject to an extended lead time & MOQ.

OPTICAL & STANDARDS

NOMINAL LUMENS 700lm	BEAM ANGLE 50°
DELIVERED LUMENS 546lm	CRI 92 TYP
COLOUR TEMPERATURE 2700K 3000K	TM-30 RF: 90 RG: 99
ACCESSORY HOLDER Integral	WARRANTY 5 Years
ACCESSORIES Louver Lenses 32mm	STANDARDS



Photometry shown is for 3000K module. Please enquire for other CCT photometry. L90 50,000 hours.



LUMINAIRE FINISH

White 9010	Black 9005
RCD-638-WH-XX9245	RCD-638-BK-XX9245

*All premium & custom finishes are built & finished to order. These are subject to an extended lead time & MOQ

For 3000K Substitute XX with 30

For 2700K Substitute XX with 27