

instruction manual

Minimo 11/16 Pro

Minimo 11/16 Pro is a miniature recessed 92 CRI LED luminaire offering 360° pan with 35° tilt.

Minimo 11 Pro	6W	513lm
Minimo 16 Pro	8.4W	665lm

These instructions cover procedures for all versions of Minimo 11 & 16 Pro with bezels including:

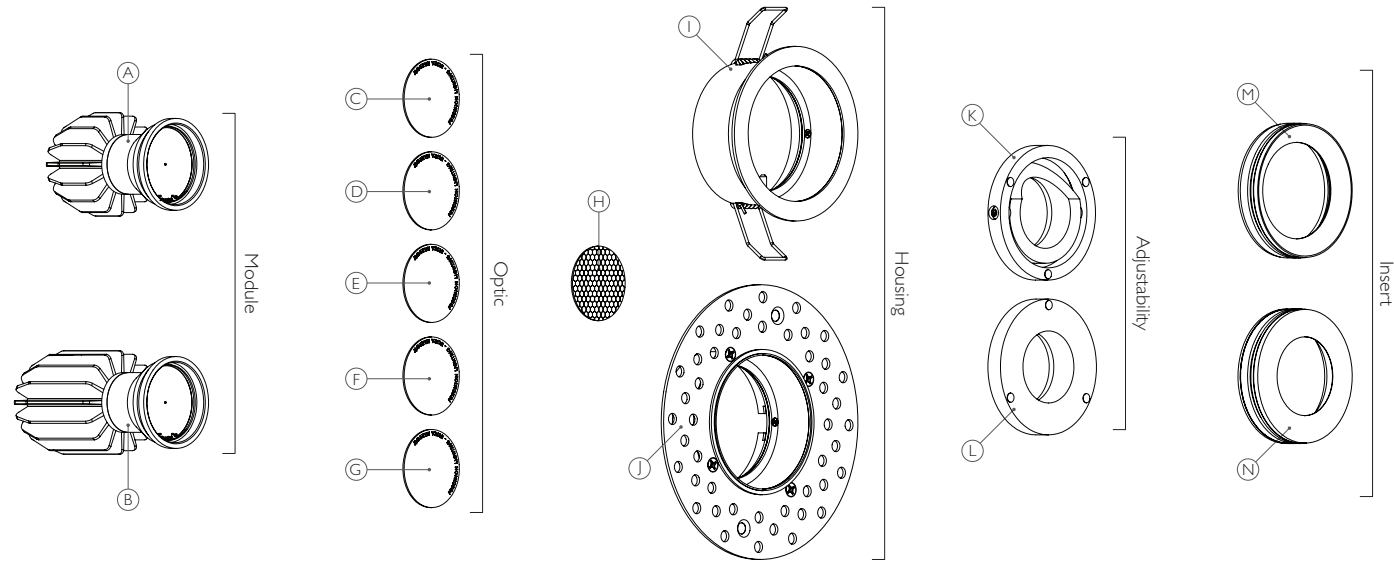
- Fixed and adjustable configurations
- Chamfered and flat bezel configurations
- Decorative and Pinhole apertures
- IP20 and IP54 configurations
- Trimless configurations



42 RIVERSIDE ROAD | LONDON | SW17 0BA | UK
 t. +44 (0) 20 8947 6616 | sales@precisionlighting.co.uk
 f. +44 (0) 20 8286 6626 | www.precisionlighting.co.uk
 © 2017 Precision Lighting Ltd. We reserve the right to change details of design, materials and finish. Version 1.0

KEY PRODUCT FEATURES

A	11 Series Module	F	25 degree Optic	K	Tilt ring
B	16 Series Module	G	45 degree Optic	L	Fixed ring
C	9 degree Optic	H	Honeycomb Louvre	M	Decorative Insert
D	11 degree Optic	I	Standard Housing	N	Pinhole Insert
E	15 degree Optic	J	Trimless Housing		



IMPORTANT SAFETY INFORMATION

READ ALL INSTRUCTIONS BEFORE USING THESE PRODUCTS. SAVE THESE INSTRUCTIONS FOR LATER REFERENCE.

- All systems must be installed by a suitably qualified professional only. Installations must conform to national installation and accident prevention regulations.
- Ensure that the luminaire is switched off at mains supply before installing or removing.
- Do not install IP20 luminaires in a damp or wet location. Do not install any fixture closer than 150mm (6 inches) from any combustible material.
- To reduce the risk of fire and burns, do not install these systems where exposed bare conductors can be shorted or contact any conductive materials. Do not conceal or extend exposed conductors through a building wall.
- Ensure all connections are tight. Bad connections can cause overheating, arcing and a potential fire risk.
- Wire supply connections must be made with U.L or compatible testing agency-approved connectors. Always use appropriate optics and ensure they are fitted securely.
- Install and use only as described in this Precision Lighting manual.
- Use Precision Lighting recommended optics and accessories only.
- Luminaires may be hot, allow to cool before touching.
- Access to serviceable electrical components should be kept available for maintenance purposes.
- Regular cleaning of these products is important. Switch off at mains supply and allow to cool before touching. Clean fittings with a microfibre cloth. Then reconnect the power supply.

instruction manual

Minimo 11/16 Pro

Minimo 11/16 Pro is a miniature recessed 92 CRI LED luminaire offering 360° pan with 35° tilt.

Minimo 11 Pro - 6W, 513lm

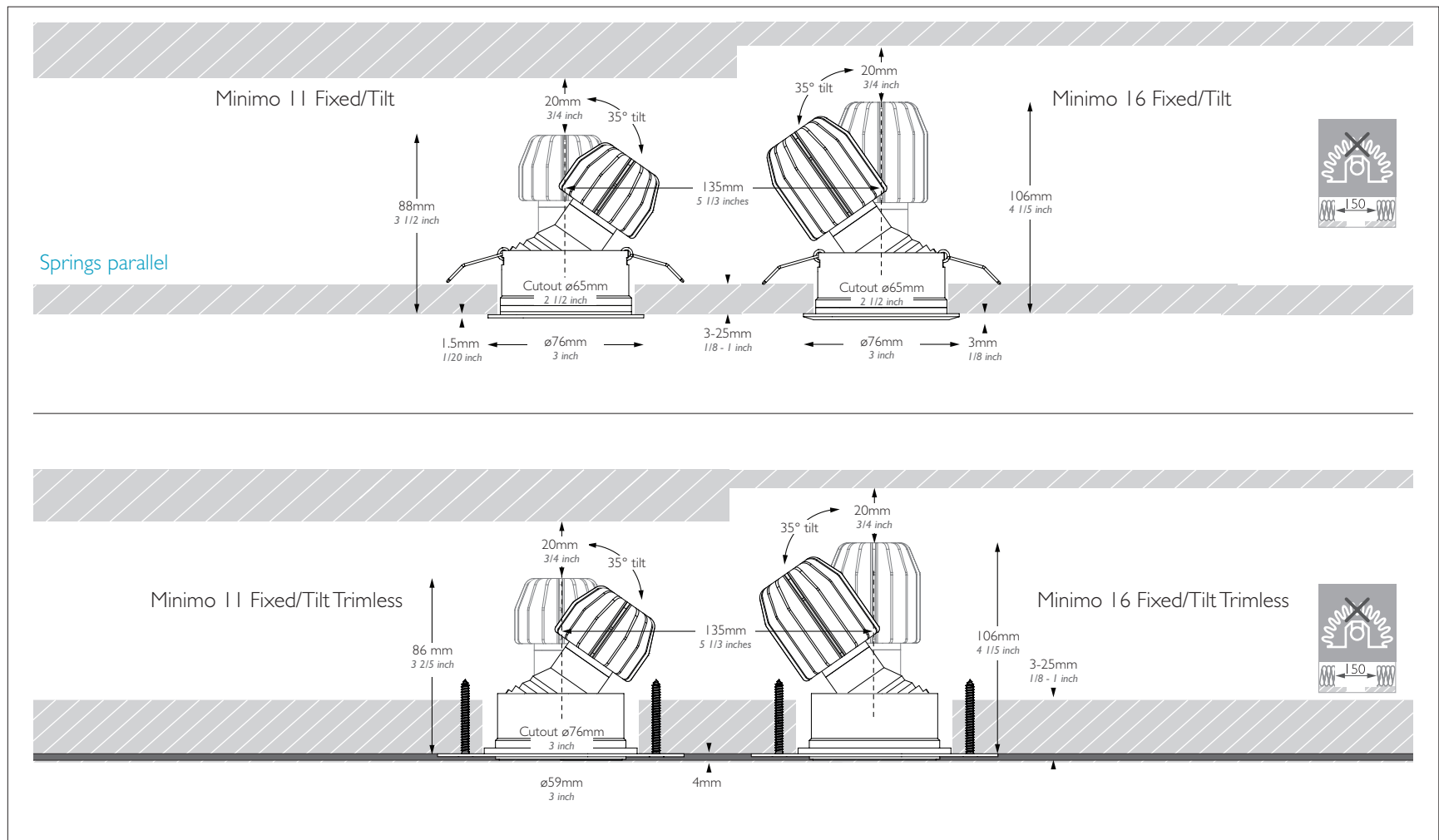
Minimo 16 Pro - 8.4W, 665lm

These instructions cover procedures for all versions of Minimo 11 Pro with bezels including:

- Fixed and adjustable configurations
- Chamfered and flat bezel configurations
- Decorative and Pinhole apertures
- IP20 and IP54 configurations
- Trimless configurations



42 RIVERSIDE ROAD | LONDON | SW17 0BA | UK
 t. +44 (0) 20 8947 6616 | sales@precisionlighting.co.uk
 f. +44 (0) 20 8286 6626 | www.precisionlighting.co.uk
 © 2017 Precision Lighting Ltd. We reserve the right to change details of design, materials and finish. Version 1.0



IMPORTANT SAFETY INFORMATION

READ ALL INSTRUCTIONS BEFORE USING THESE PRODUCTS. SAVE THESE INSTRUCTIONS FOR LATER REFERENCE.

1. All systems must be installed by a suitably qualified professional only. Installations must conform to national installation and accident prevention regulations.
2. Ensure that the luminaire is switched off at mains supply before installing or removing.
3. Do not install IP20 luminaires in a damp or wet location. Do not install any fixture closer than 150mm (6 inches) from any combustible material.
4. To reduce the risk of fire and burns, do not install these systems where exposed bare conductors can be shorted or contact any conductive materials. Do not conceal or extend exposed conductors through a building wall.
5. Ensure all connections are tight. Bad connections can cause overheating, arcing and a potential fire risk.
6. Wire supply connections must be made with U.L or compatible testing agency-approved connectors. Always use appropriate optics and ensure they are fitted securely.
7. Install and use only as described in this Precision Lighting manual.
8. Use Precision Lighting recommended optics and accessories only.
9. Luminaires may be hot, allow to cool before touching.
10. Access to serviceable electrical components should be kept available for maintenance purposes.
11. Regular cleaning of these products is important. Switch off at mains supply and allow to cool before touching. Clean fittings with a microfibre cloth. Then reconnect the power supply.

WARNING Do not connect or disconnect under load. Ensure driver has not been powered for a minimum of 1 minute before reconnecting the LED module after disconnecting. Do not hot plug. Failure to follow this instruction will lead to serious damage of the LED module and driver and will not be covered by warranty.

NOTE Maintain correct polarity when wiring. Incorrect wiring will cause serious damage and will not be covered by warranty. Must be installed according to SELV regulations. Wire specification: 22 AWG, $\varnothing 0.65\text{mm}$ diameter double insulated teflon wire. White - Positive Black - Negative

NOTE LED module is not site serviceable. Tampering will cause damage and will not be covered by warranty.

I. Installing the luminaire (Trimless)

WARNING switch off power to mains before installation.

Remove LED module from fitting.

Cut hole $\varnothing 76\text{mm}$ (3 inches). Position plaster-in ring and use appropriate fixings to secure to ceiling.

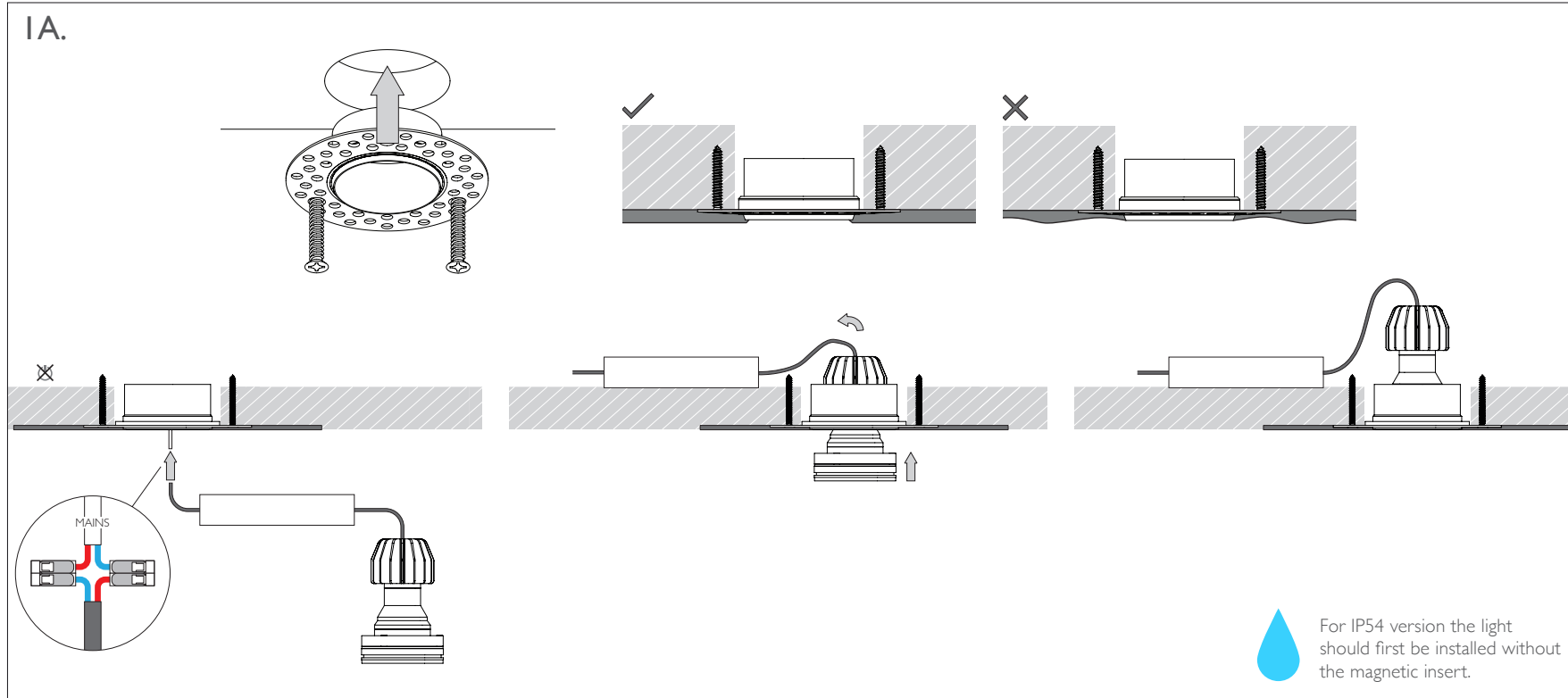
Note: Due to small luminaire size drivers may need to be installed before the trim is plastered in.

Trail mains cable through plaster in ring. Apply plaster over plaster-in ring and skim. Avoid covering wires and connector with plaster. Cut around inside of the aperture to ensure a neat finish.

Once plaster is dry, connect driver to luminaire.

Ensure the mains is switched OFF, then connect the mains feed to the driver.

Insert LED module into plaster-in ring and add magnetic insert if required or if removed during installation.



I. Installing the luminaire (Trimmed)

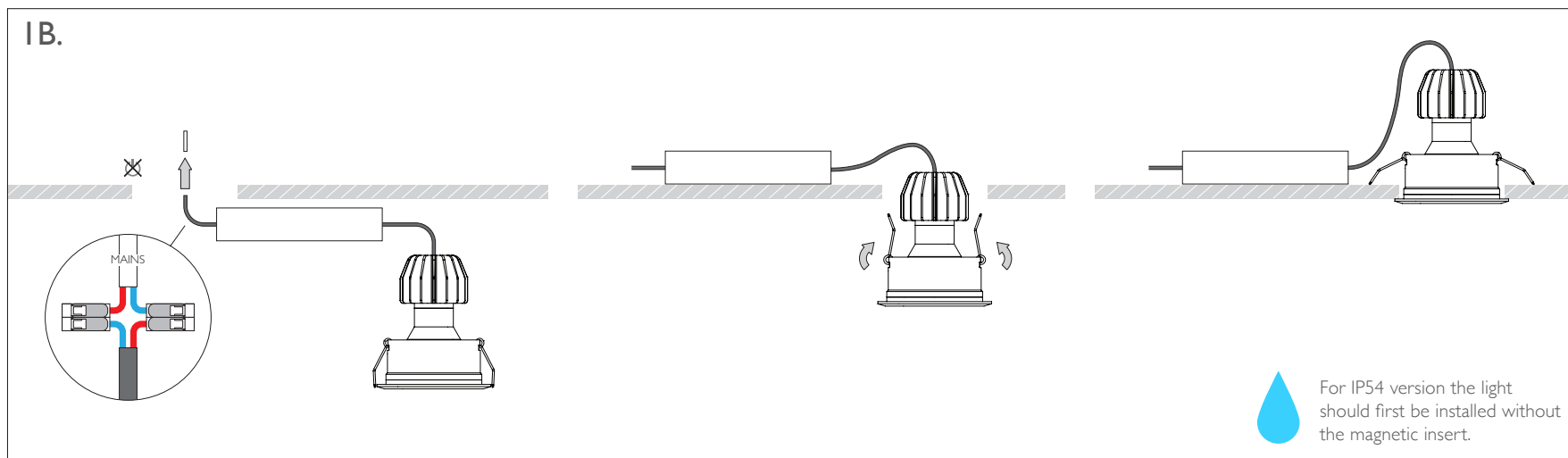
WARNING switch off power to mains before installation.

Cut ceiling hole at $\varnothing 65\text{mm}$ (2 1/2 inch).

Note: Due to small luminaire size drivers must be located remotely; cut out is too small for dimmable drivers to pass through.

Pull driver side connector through hole and connect to the luminaire side connector. See electrical instructions for wiring schematic. Compatible drivers listed in front page table.

Using installation springs, install fixture into the ceiling.



WARNING Do not connect or disconnect under load. Ensure driver has not been powered for a minimum of 1 minute before reconnecting the LED module after disconnecting. Do not hot plug. Failure to follow this instruction will lead to serious damage of the LED module and driver and will not be covered by warranty.

NOTE Maintain correct polarity when wiring. Incorrect wiring will cause serious damage and will not be covered by warranty. Must be installed according to SELV regulations. Wire specification: 22 AWG, $\varnothing 0.65\text{mm}$ diameter double insulated teflon wire. White - Positive Black - Negative

NOTE LED module is not site serviceable. Tampering will cause damage and will not be covered by warranty.

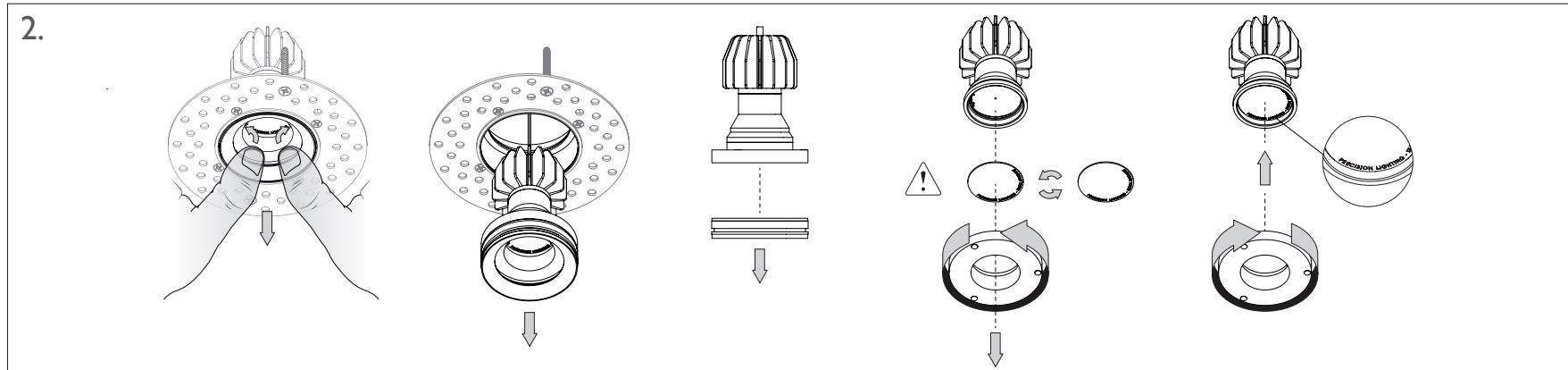
2. Changing beam angle

WARNING luminaire may be hot. Allow to cool before touching.

Using two fingers or a tool remove the magnetic insert and the LED module by pulling sharply downwards.

Unscrew the tilt / fixed magnetic ring from the light engine to access the optic disc.

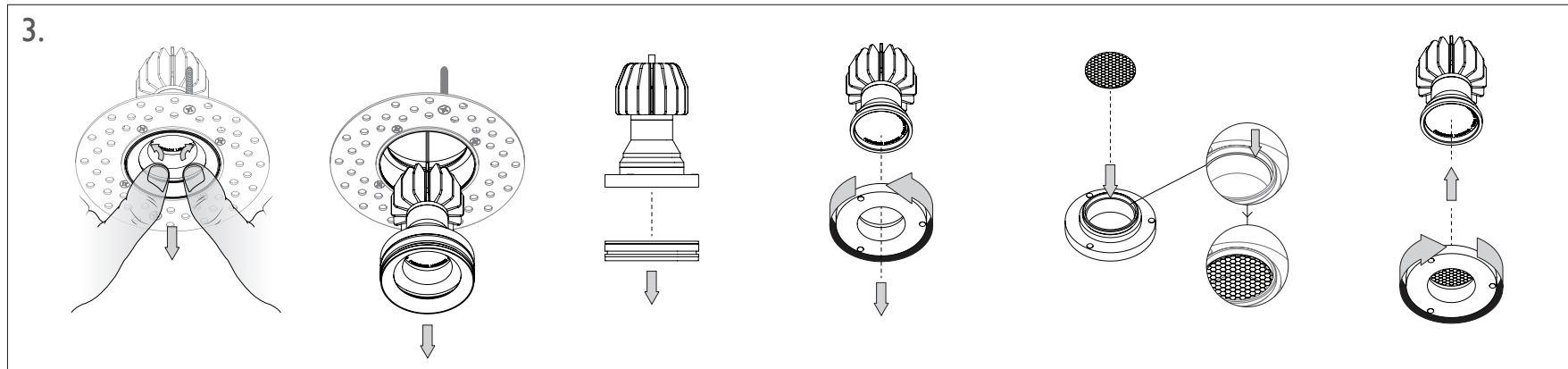
When installing the optic disc the text MUST be facing you.



3. Adding an accessory

Using two fingers or a tool remove the magnetic insert and the LED module by pulling sharply downwards.

Unscrew the tilt / fixed magnetic ring from the light engine to access the accessory slot. The accessory must be placed on the inside of the tilt / fixed magnetic ring.

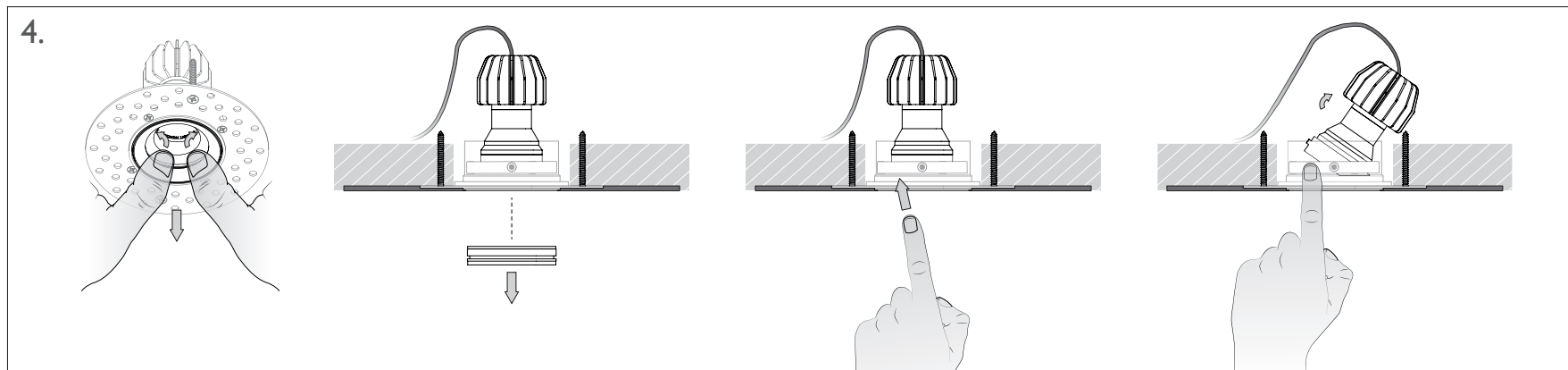


4. Adjusting tilt angle and direction

Only valid for adjustable configuration

Using two fingers or a tool remove the magnetic insert but leave the LED module inside the trim. If the LED module comes out with the insert please reinsert it into the trim.

The module can be pushed inwards to rotate up to 35°. It can also be rotated on the magnetic surface.



For IP54 version the tilt angle should be set before the magnetic insert is installed.

instruction manual

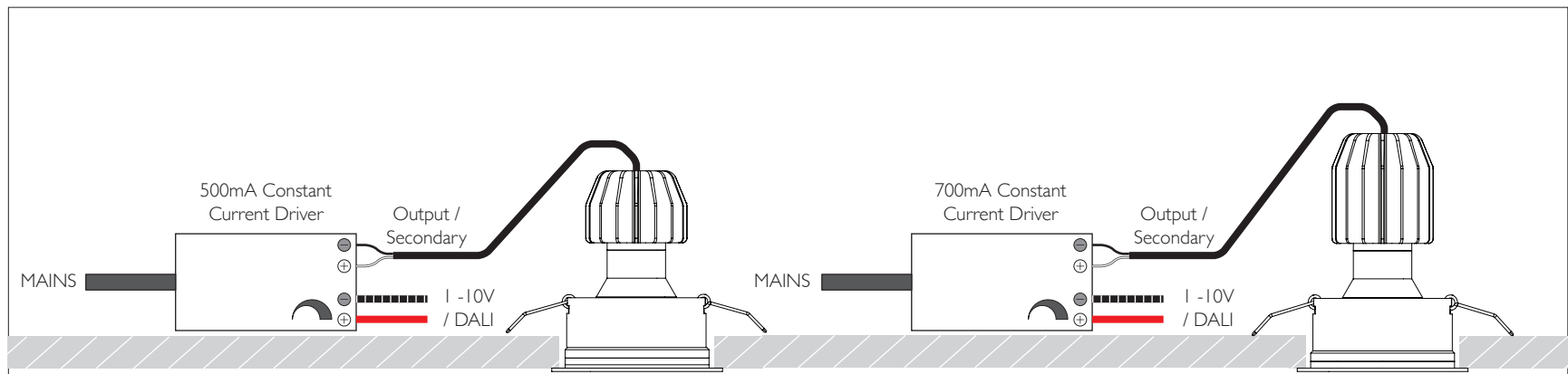
Minimo 11 / 16 Electrical Installation 500mA or 700mA Constant Current Driver.

WARNING

Do not exceed maximum number of luminaires per driver wattage rating, see driver datasheet for details.

Remote access required for driver.

These instructions are applicable to all Minimo luminaires including:
605, 606, 607, 608 - Minimo 11 Pro Fixed
623, 624, 625, 626 - Minimo 11 Adjustable
631, 632, 633, 634 -
635, 636, 637, 638



WARNING mains supply to driver must be OFF before connecting or disconnecting fittings. Do not connect or disconnect under load.
Ensure driver has not been powered for a minimum of 1 minute before reconnecting the LED module after disconnecting. Do not hot plug. Failure to follow this

instruction will lead to serious damage of the LED module and driver and will not be covered by warranty.

NOTE Wire specification: 22 AWG, ø0.65mm diameter double insulated teflon wire.
White - Positive Black - Negative

1. Connect Minimo luminaires in series to the driver LED outlet.

Maintain correct polarity when wiring. Incorrect wiring will cause serious damage and will not be covered by warranty. Must be installed according to SELV regulations.

2. Wire I-10V or DALI control to LED driver.

Maintain correct polarity when wiring dimming control wire. Incorrect wiring will cause serious damage and will not be covered by warranty. Must be installed according to SELV regulations.

COMPATIBLE POWER SUPPLY	ORDER CODE	LUMINAIRE QUANTITY
TCI Minijolly 1-10V 20 Driver	PSCC-20-500-A-TC	1-2
TCI Minijolly DALI 20 Driver	PSCC-20-500-A-TC	1-2

COMPATIBLE POWER SUPPLY	ORDER CODE	LUMINAIRE QUANTITY
TCI Minijolly 1-10V 20 Driver	PSCC-20-500-A-TC	1-2
TCI Minijolly DALI 20 Driver	PSCC-20-500-A-TC	1-2

IMPORTANT SAFETY INFORMATION

READ ALL INSTRUCTIONS BEFORE USING THESE PRODUCTS. SAVE THESE INSTRUCTIONS FOR LATER REFERENCE.

- All systems must be installed by a suitably qualified professional only. Installations must conform to national installation and accident prevention regulations.
- Ensure that the luminaire is switched off at mains supply before installing or removing.
- Do not install these systems in a damp or wet location, IP20 environments only. Do not install any fixture closer than 150mm (6 inches) from any combustible material.
- To reduce the risk of fire and burns, do not install these systems where exposed bare conductors can be shorted or contact any conductive materials. Do not conceal or extend exposed conductors through a building wall.
- Ensure all connections are tight. Bad connections can cause overheating, arcing and a potential fire risk.
- Wire supply connections must be made with U.L or compatible testing agency-approved connectors. Always use appropriate optics and ensure they are fitted securely.
- Install and use only as described in this Precision Lighting manual.
- Use Precision Lighting recommended optics and accessories only.
- Luminaires may be hot, allow to cool before touching.
- Access to serviceable electrical components should be kept available for maintenance purposes.
- Regular cleaning of these products is important. Switch off at mains supply and allow to cool before touching. Clean fittings with a microfibre cloth. Then reconnect the power supply.