

# MINIMO 1 FIXED TRIMLESS DEEP RECESS

NARROW



## TECHNICAL DESCRIPTION

Minimo 1 Fixed Trimless Deep Recess is a Constant Current single source LED recessed spotlight that is machined from aerospace grade aluminium 6063-T6 and comes as standard in white, black and brushed aluminium. It has three site-changeable optics for flexible beam distribution. The narrow beam in our 2.24W 180lm module has a peak intensity of 1566cd.

## MECHANICAL & ELECTRICAL

<b>CATEGORY</b> IP20	<b>WATTAGE</b> 2.24W
<b>MATERIAL</b> Machined AL 6063-T6   Machined Brass	<b>FORWARD VOLTAGE</b> 3.2V
<b>PAN</b> N/A	<b>DRIVE CURRENT</b> 700mA
<b>TILT</b> N/A	<b>SUPPLY TYPE</b> Constant Current
<b>LOCKABLE</b> N/A	<b>DRIVER LOCATION</b> Remote
<b>WEIGHT</b> 42g   0.09lb	<b>DIMMING</b> DALI   0-10V   1-10V

## MOUNTING

<b>MOUNTING</b> Recessed	<b>CUTOUT</b> ø33mm (1.30")
<b>CEILING THICKNESS</b> 5-25mm (0.20-0.98")	<b>MIN CEILING VOID</b> 20mm (0.79") clearance above

## FINISHES

**FINISHES** Brushed Aluminium | Black RAL9005 Visible

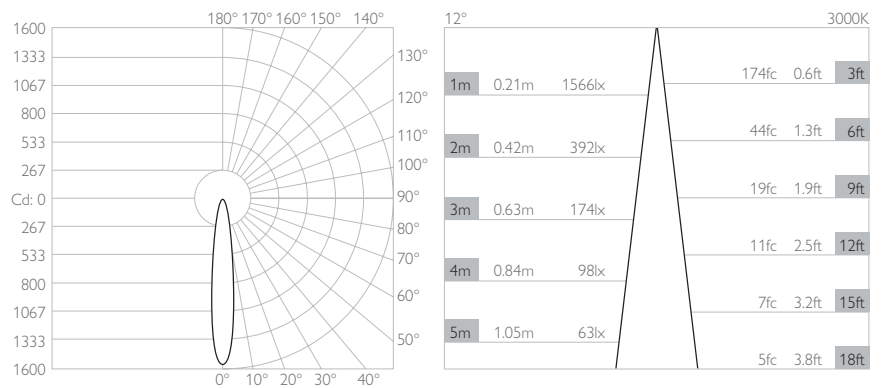
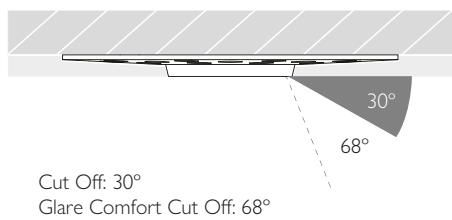
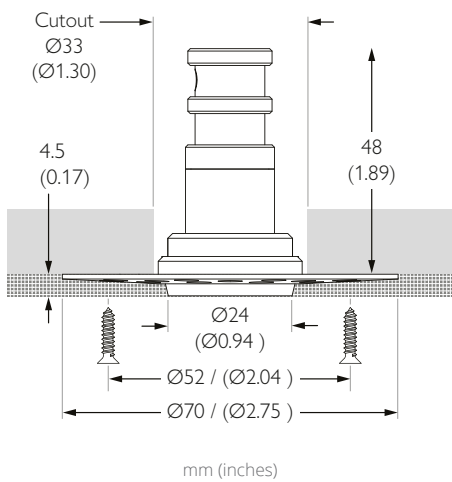
\*Premium & custom finishes are built & finished to order. These are subject to an extended lead time & MOQ.

## OPTICAL & STANDARDS

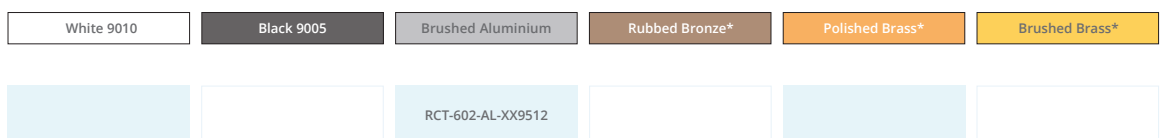
<b>NOMINAL LUMENS</b> 180lm	<b>BEAM ANGLE</b> 12°
<b>DELIVERED LUMENS</b> 164lm	<b>CRI</b> 95 TYP
<b>COLOUR TEMPERATURE</b> 2700K   3000K	<b>TM-30</b> RF: 93 RG: 99
<b>ACCESSORY HOLDER</b> N/A	<b>WARRANTY</b> 5 Years
<b>ACCESSORIES</b> N/A	<b>STANDARDS</b>



Photometry shown is for 3000K module. Please enquire for other CCT photometry. L90 50,000 hours.



## LUMINAIRE FINISH



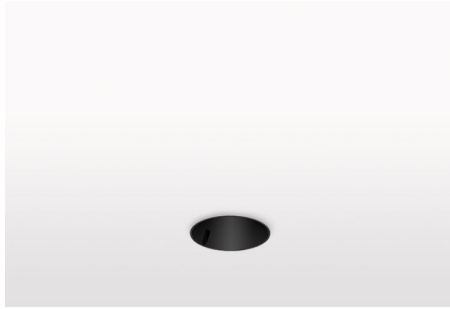
\*All premium & custom finishes are built & finished to order. These are subject to an extended lead time & MOQ

For 3000K Substitute XX with 30

For 2700K Substitute XX with 27

# MINIMO 1 FIXED TRIMLESS DEEP RECESS

MEDIUM



## TECHNICAL DESCRIPTION

Minimo 1 Fixed Trimless Deep Recess is a Constant Current single source LED recessed spotlight that is machined from aerospace grade aluminium 6063-T6 and comes as standard in white, black and brushed aluminium. It has three site-changeable optics for flexible beam distribution. The medium beam in our 2.24W 180lm module has a peak intensity of 470cd.

## MECHANICAL & ELECTRICAL

**CATEGORY** IP20

**MATERIAL** Machined AL 6063-T6 | Machined Brass

**PAN** N/A

**TILT** N/A

**LOCKABLE** N/A

**WEIGHT** 42g | 0.09lb

**WATTAGE** 2.24W

**FORWARD VOLTAGE** 3.2V

**DRIVE CURRENT** 700mA

**SUPPLY TYPE** Constant Current

**DRIVER LOCATION** Remote

**DIMMING** DALI | 0-10V | 1-10V

## MOUNTING

**MOUNTING** Recessed

**CEILING THICKNESS** 5-25mm (0.20-0.98")

**CUTOUT** ø33mm (1.30")

**MIN CEILING VOID** 20mm (0.79") clearance above

## FINISHES

**FINISHES** Brushed Aluminium | Black RAL9005 Visible

\*Premium & custom finishes are built & finished to order. These are subject to an extended lead time & MOQ.

## OPTICAL & STANDARDS

**NOMINAL LUMENS** 180lm

**DELIVERED LUMENS** 150lm

**COLOUR TEMPERATURE** 2700K | 3000K

**ACCESSORY HOLDER** N/A

**ACCESSORIES** N/A

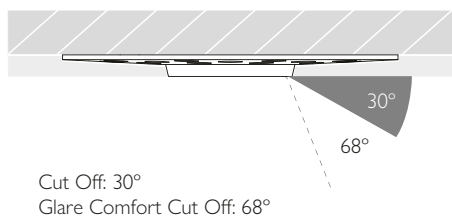
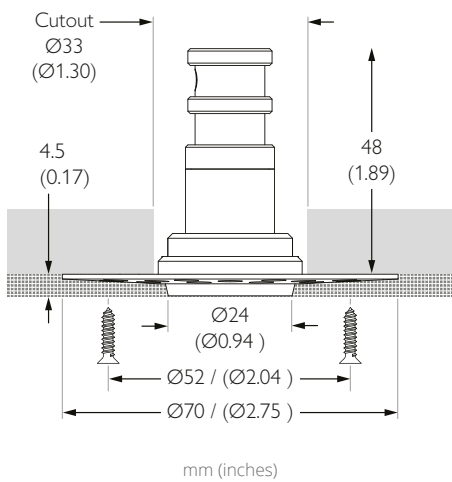
**BEAM ANGLE** 30°

**CRI** 95 TYP

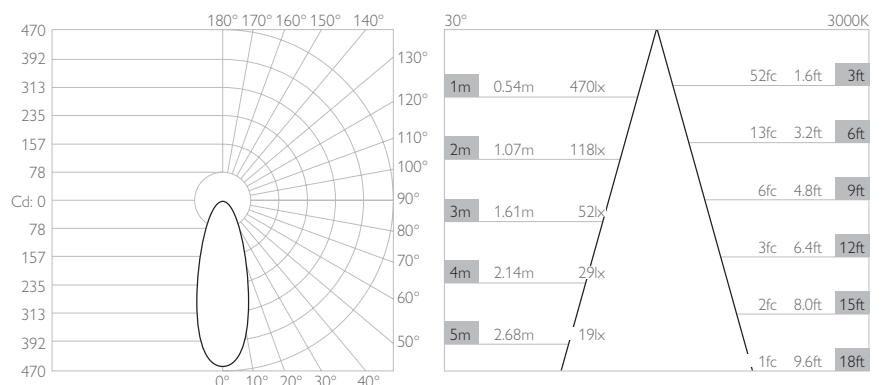
**TM-30** RF: 93 RG: 99

**WARRANTY** 5 Years

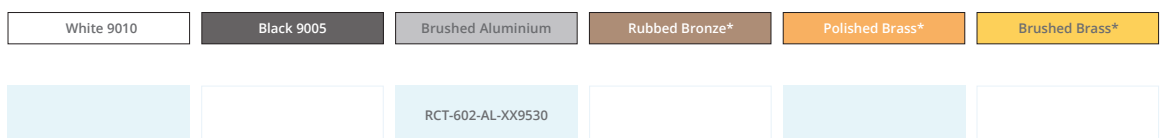
**STANDARDS**



Photometry shown is for 3000K module. Please enquire for other CCT photometry. L90 50,000 hours.



## LUMINAIRE FINISH



\*All premium & custom finishes are built & finished to order. These are subject to an extended lead time & MOQ

For 3000K Substitute XX with 30

For 2700K Substitute XX with 27

# MINIMO 1 FIXED TRIMLESS DEEP RECESS

## FLOOD



### TECHNICAL DESCRIPTION

Minimo 1 Fixed Trimless Deep Recess is a Constant Current single source LED recessed spotlight that is machined from aerospace grade aluminium 6063-T6 and comes as standard in white, black and brushed aluminium. It has three site-changeable optics for flexible beam distribution. The flood beam in our 2.24W 180lm module has a peak intensity of 163cd.

### MECHANICAL & ELECTRICAL

**CATEGORY** IP20

**MATERIAL** Machined AL 6063-T6 | Machined Brass

**PAN** N/A

**TILT** N/A

**LOCKABLE** N/A

**WEIGHT** 42g | 0.09lb

**WATTAGE** 2.24W

**FORWARD VOLTAGE** 3.2V

**DRIVE CURRENT** 700mA

**SUPPLY TYPE** Constant Current

**DRIVER LOCATION** Remote

**DIMMING** DALI | 0-10V | 1-10V

### MOUNTING

**MOUNTING** Recessed

**CEILING THICKNESS** 5-25mm (0.20-0.98")

**CUTOUT** ø33mm (1.30")

**MIN CEILING VOID** 20mm (0.79") clearance above

### FINISHES

**FINISHES** Brushed Aluminium | Black RAL9005 Visible

\*Premium & custom finishes are built & finished to order. These are subject to an extended lead time & MOQ.

### OPTICAL & STANDARDS

**NOMINAL LUMENS** 180lm

**DELIVERED LUMENS** 163lm

**COLOUR TEMPERATURE** 2700K | 3000K

**ACCESSORY HOLDER** N/A

**ACCESSORIES** N/A

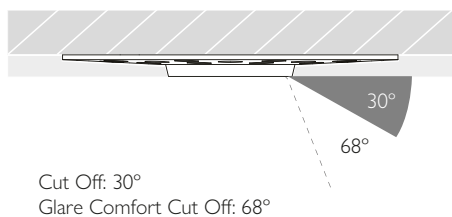
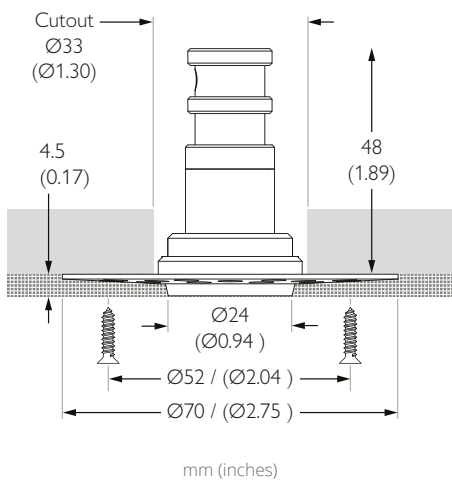
**BEAM ANGLE** 60°

**CRI** 95 TYP

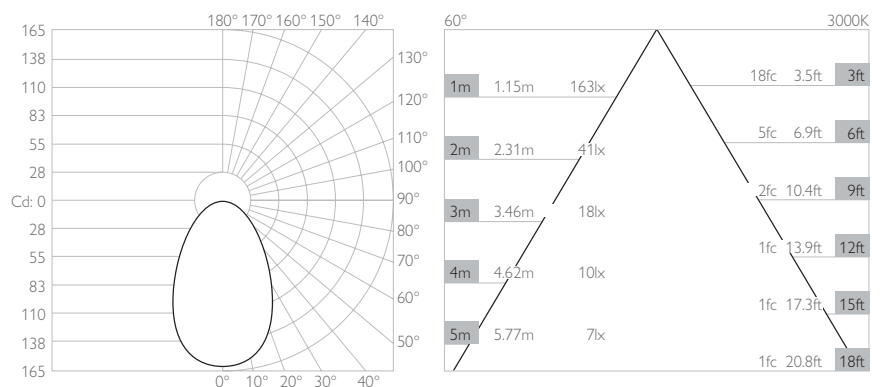
**TM-30** RF: 93 RG: 99

**WARRANTY** 5 Years

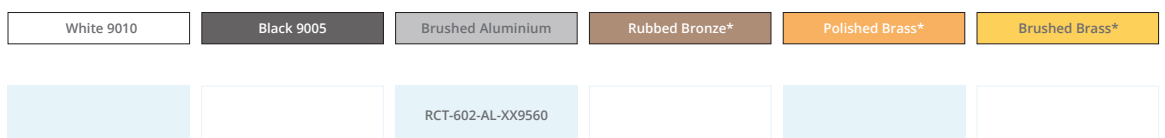
**STANDARDS**



Photometry shown is for 3000K module. Please enquire for other CCT photometry. L90 50,000 hours.



### LUMINAIRE FINISH



\*All premium & custom finishes are built & finished to order. These are subject to an extended lead time & MOQ

For 3000K Substitute XX with 30

For 2700K Substitute XX with 27