

MINIMO 16 PLUS ADJUSTABLE PINHOLE TRIMLESS IP54

19° NARROW BEAM



TECHNICAL DESCRIPTION

Minimo 16 Plus Adjustable Pinhole Trimless IP54 is a Constant Current single source pro-series downlight that is machined from aerospace grade aluminium 6063-T6 and comes as standard in white and black. It has four site-changeable optics for flexible beam distribution and is fully adjustable with 360° pan and 35° tilt without breaking the ceiling line. The narrow beam in our 12.60W 1200lm module has a peak intensity of 6389cd. The integral accessory holder can accommodate 32mm lenses and louvers.

MECHANICAL & ELECTRICAL

CATEGORY IP54

MATERIAL Machined AL 6063-T6

PAN 360°

TILT 35°

LOCKABLE N/A

WEIGHT 296g | 0.65lb

WATTAGE 12.60W

FORWARD VOLTAGE 18V

DRIVE CURRENT 700mA

SUPPLY TYPE Constant Current

DRIVER LOCATION Remote

DIMMING DALI | 0-10V | 1-10V | Casambi

MOUNTING

MOUNTING Recessed

CEILING THICKNESS min 5mm (0.20")

CUTOUT ø76mm (3.00")

MIN CEILING VOID 20mm (0.79") clearance above

FINISHES

FINISHES White RAL9010 | Black RAL9005

*Premium & custom finishes are built & finished to order. These are subject to an extended lead time & MOQ.

OPTICAL & STANDARDS

NOMINAL LUMENS 1200lm

DELIVERED LUMENS 887lm

COLOUR TEMPERATURE 2400K | 2700K | 3000K

ACCESSORY HOLDER Integral

ACCESSORIES Louver | Lenses 32mm

TM65 14.47kgCO2e

TM66 2.2

BEAM ANGLE 19°

CRI 92 TYP - 2400K | 98 TYP - 2700K/3000K

TM-30 RF: 95 RG: 101

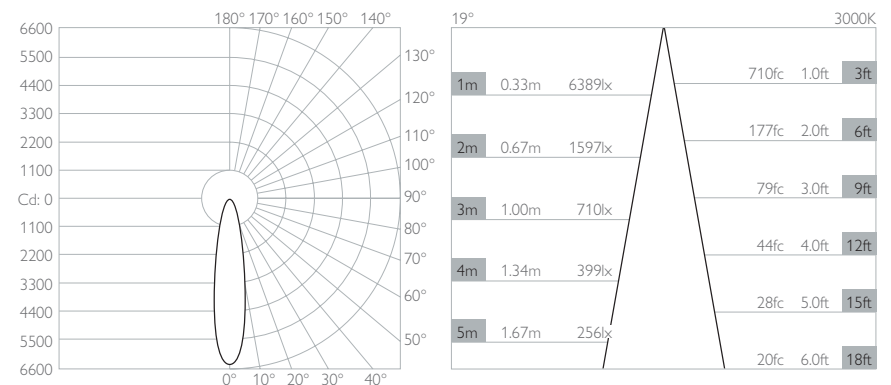
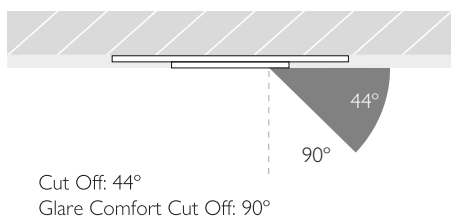
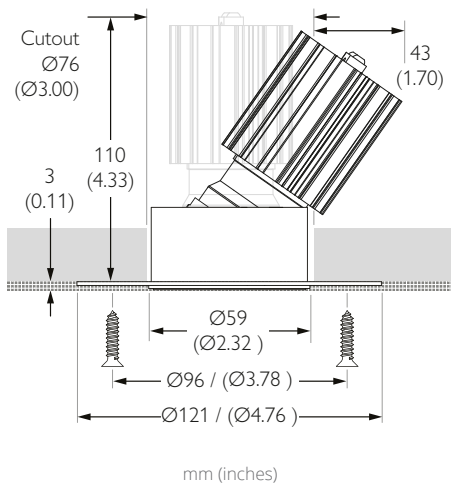
WARRANTY 5 Years

LIFETIME L90B10 50,000hrs

STANDARDS



Photometry shown is for 3000K module. Please enquire for other CCT photometry.



FINISH	LED CCT	BEAM ANGLE
RCT-638C	2490 2400K 90CRI	NA Narrow 19°
XW White RAL9010	2798 2700K 98CRI	ME Medium 25°
XB Black RAL9005	3098 3000K 98CRI	WD Wide 37°
		VW Very Wide 50°

Example Code: RCT-638C-XW-2798ME

*Premium & custom finishes are built to order, subject to an extended lead time & MOQ

MINIMO 16 PLUS ADJUSTABLE PINHOLE TRIMLESS IP54

25° MEDIUM BEAM



TECHNICAL DESCRIPTION

Minimo 16 Plus Adjustable Pinhole Trimless IP54 is a Constant Current single source pro-series downlight that is machined from aerospace grade aluminium 6063-T6 and comes as standard in white and black. It has four site-changeable optics for flexible beam distribution and is fully adjustable with 360° pan and 35° tilt without breaking the ceiling line. The medium beam in our 12.60W 1200lm module has a peak intensity of 5069cd. The integral accessory holder can accommodate 32mm lenses and louvers.

MECHANICAL & ELECTRICAL

CATEGORY IP54

MATERIAL Machined AL 6063-T6

PAN 360°

TILT 35°

LOCKABLE N/A

WEIGHT 296g | 0.65lb

WATTAGE 12.60W

FORWARD VOLTAGE 18V

DRIVE CURRENT 700mA

SUPPLY TYPE Constant Current

DRIVER LOCATION Remote

DIMMING DALI | 0-10V | 1-10V | Casambi

MOUNTING

MOUNTING Recessed

CEILING THICKNESS min 5mm (0.20")

CUTOUT ø76mm (3.00")

MIN CEILING VOID 20mm (0.79") clearance above

FINISHES

FINISHES White RAL9010 | Black RAL9005

*Premium & custom finishes are built & finished to order. These are subject to an extended lead time & MOQ.

OPTICAL & STANDARDS

NOMINAL LUMENS 1200lm

DELIVERED LUMENS 1001lm

COLOUR TEMPERATURE 2400K | 2700K | 3000K

ACCESSORY HOLDER Integral

ACCESSORIES Louver | Lenses 32mm

TM65 14.47kgCO2e

TM66 2.2

BEAM ANGLE 25°

CRI 92 TYP - 2400K | 98 TYP - 2700K/3000K

TM-30 RF: 95 RG: 101

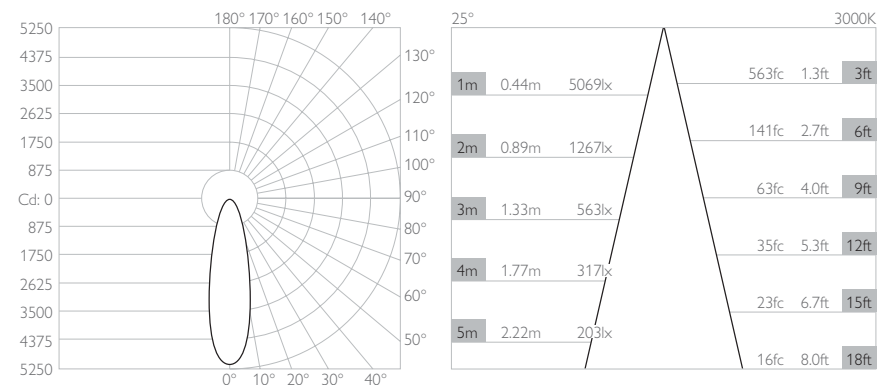
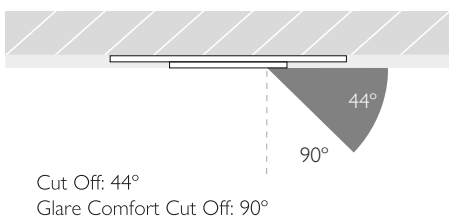
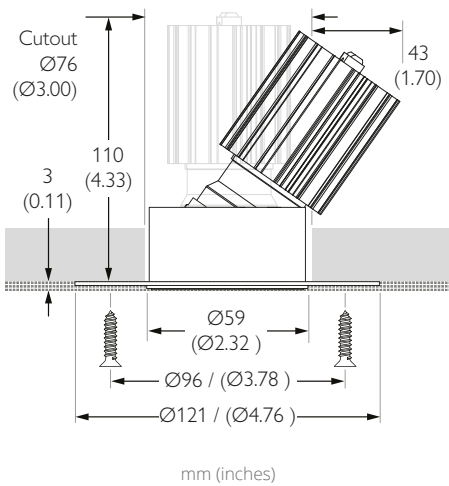
WARRANTY 5 Years

LIFETIME L90B10 50,000hrs

STANDARDS



Photometry shown is for 3000K module. Please enquire for other CCT photometry.



FINISH

LED CCT

BEAM ANGLE

RCT-638C

XW White RAL9010

XB Black RAL9005

2490 2400K 90CRI

2798 2700K 98CRI

3098 3000K 98CRI

NA Narrow 19°

ME Medium 25°

WD Wide 37°

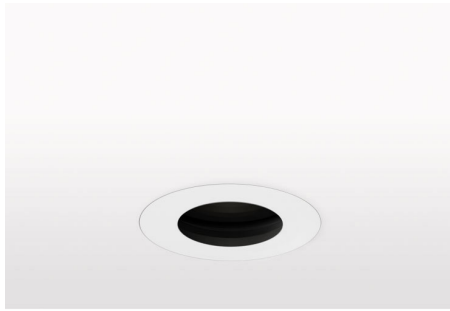
VW Very Wide 50°

Example Code: RCT-638C-XW-2798ME

*Premium & custom finishes are built to order, subject to an extended lead time & MOQ

MINIMO 16 PLUS ADJUSTABLE PINHOLE TRIMLESS IP54

37° WIDE BEAM



TECHNICAL DESCRIPTION

Minimo 16 Plus Adjustable Pinhole Trimless IP54 is a Constant Current single source pro-series downlight that is machined from aerospace grade aluminium 6063-T6 and comes as standard in white and black. It has four site-changeable optics for flexible beam distribution and is fully adjustable with 360° pan and 35° tilt without breaking the ceiling line. The wide beam in our 12.60W 1200lm module has a peak intensity of 2473cd. The integral accessory holder can accommodate 32mm lenses and louvers.

MECHANICAL & ELECTRICAL

CATEGORY IP54

MATERIAL Machined AL 6063-T6

PAN 360°

TILT 35°

LOCKABLE N/A

WEIGHT 296g | 0.65lb

WATTAGE 12.60W

FORWARD VOLTAGE 18V

DRIVE CURRENT 700mA

SUPPLY TYPE Constant Current

DRIVER LOCATION Remote

DIMMING DALI | 0-10V | 1-10V | Casambi

MOUNTING

MOUNTING Recessed

CEILING THICKNESS min 5mm (0.20")

CUTOUT ø76mm (3.00")

MIN CEILING VOID 20mm (0.79") clearance above

FINISHES

FINISHES White RAL9010 | Black RAL9005

*Premium & custom finishes are built & finished to order. These are subject to an extended lead time & MOQ.

OPTICAL & STANDARDS

NOMINAL LUMENS 1200lm

DELIVERED LUMENS 997lm

COLOUR TEMPERATURE 2400K | 2700K | 3000K

ACCESSORY HOLDER Integral

ACCESSORIES Louver | Lenses 32mm

TM65 14.47kgCO2e

TM66 2.2

BEAM ANGLE 37°

CRI 92 TYP - 2400K | 98 TYP - 2700K/3000K

TM-30 RF: 95 RG: 101

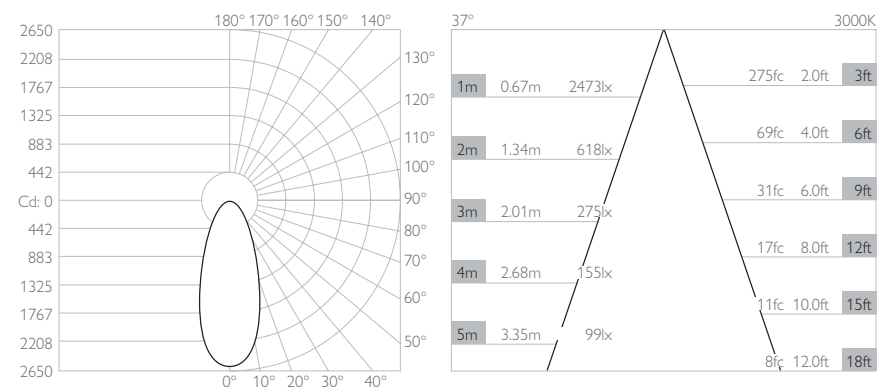
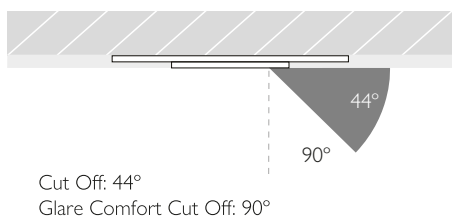
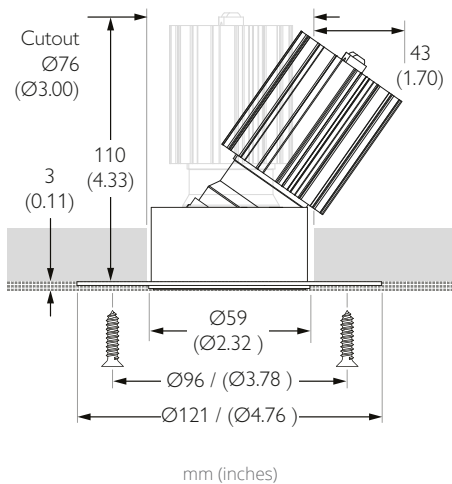
WARRANTY 5 Years

LIFETIME L90B10 50,000hrs

STANDARDS



Photometry shown is for 3000K module. Please enquire for other CCT photometry.



FINISH	LED CCT	BEAM ANGLE
RCT-638C	2490 2400K 90CRI	NA Narrow 19°
XW White RAL9010	2798 2700K 98CRI	ME Medium 25°
XB Black RAL9005	3098 3000K 98CRI	WD Wide 37°
		VW Very Wide 50°

Example Code: RCT-638C-XW-2798ME

*Premium & custom finishes are built to order, subject to an extended lead time & MOQ

MINIMO 16 PLUS ADJUSTABLE PINHOLE TRIMLESS IP54

50° VERY WIDE BEAM



TECHNICAL DESCRIPTION

Minimo 16 Plus Adjustable Pinhole Trimless IP54 is a Constant Current single source pro-series downlight that is machined from aerospace grade aluminium 6063-T6 and comes as standard in white and black. It has four site-changeable optics for flexible beam distribution and is fully adjustable with 360° pan and 35° tilt without breaking the ceiling line. The very wide beam in our 12.60W 1200lm module has a peak intensity of 1537cd. The integral accessory holder can accommodate 32mm lenses and louvers.

MECHANICAL & ELECTRICAL

CATEGORY IP54

MATERIAL Machined AL 6063-T6

PAN 360°

TILT 35°

LOCKABLE N/A

WEIGHT 296g | 0.65lb

WATTAGE 12.60W

FORWARD VOLTAGE 18V

DRIVE CURRENT 700mA

SUPPLY TYPE Constant Current

DRIVER LOCATION Remote

DIMMING DALI | 0-10V | 1-10V | Casambi

MOUNTING

MOUNTING Recessed

CEILING THICKNESS min 5mm (0.20")

CUTOUT ø76mm (3.00")

MIN CEILING VOID 20mm (0.79") clearance above

FINISHES

FINISHES White RAL9010 | Black RAL9005

*Premium & custom finishes are built & finished to order. These are subject to an extended lead time & MOQ.

OPTICAL & STANDARDS

NOMINAL LUMENS 1200lm

DELIVERED LUMENS 912lm

COLOUR TEMPERATURE 2400K | 2700K | 3000K

ACCESSORY HOLDER Integral

ACCESSORIES Louver | Lenses 32mm

TM65 14.47kgCO2e

TM66 2.2

BEAM ANGLE 50°

CRI 92 TYP - 2400K | 98 TYP - 2700K/3000K

TM-30 RF: 95 RG: 101

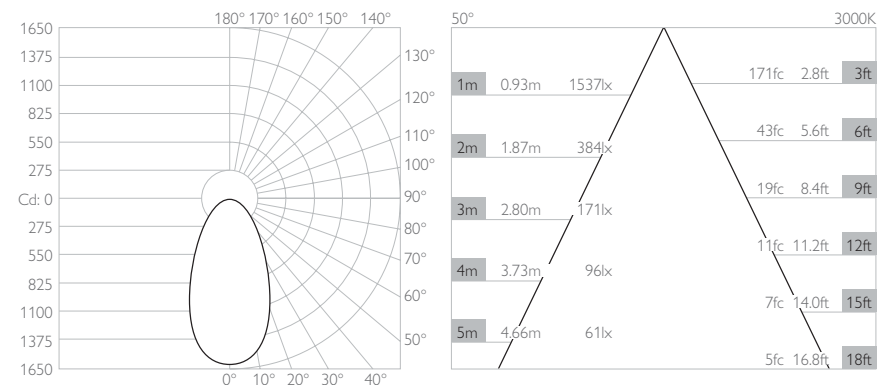
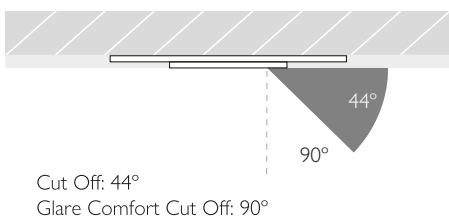
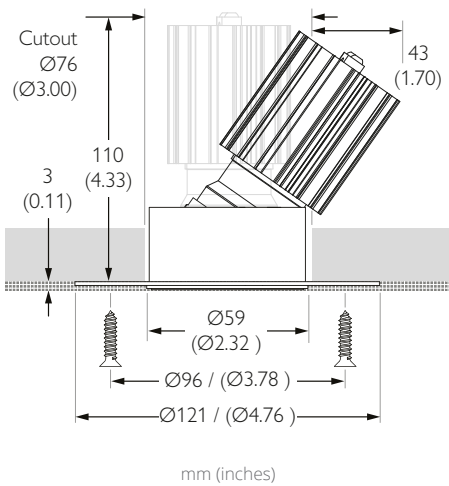
WARRANTY 5 Years

LIFETIME L90B10 50,000hrs

STANDARDS



Photometry shown is for 3000K module. Please enquire for other CCT photometry.



FINISH	LED CCT	BEAM ANGLE
RCT-638C	2490 2400K 90CRI 2798 2700K 98CRI 3098 3000K 98CRI	NA Narrow 19° ME Medium 25° WD Wide 37° VW Very Wide 50°
XW White RAL9010		
XB Black RAL9005		

Example Code: RCT-638C-XW-2798ME

*Premium & custom finishes are built to order, subject to an extended lead time & MOQ