

# Clareo Surface - Installation Instructions

Models CLS-XX & CLQ-XX

**Please read all instructions prior to installation and keep for future reference!**

1. PRODUCT TO BE INSTALLED BY A QUALIFIED ELECTRICIAN.
2. USE ONLY WITH CLASS 2 POWER UNIT.
3. 24 VOLTS DC.
4. SUITABLE FOR DAMP LOCATIONS.
5. SURFACE MOUNT ONLY.

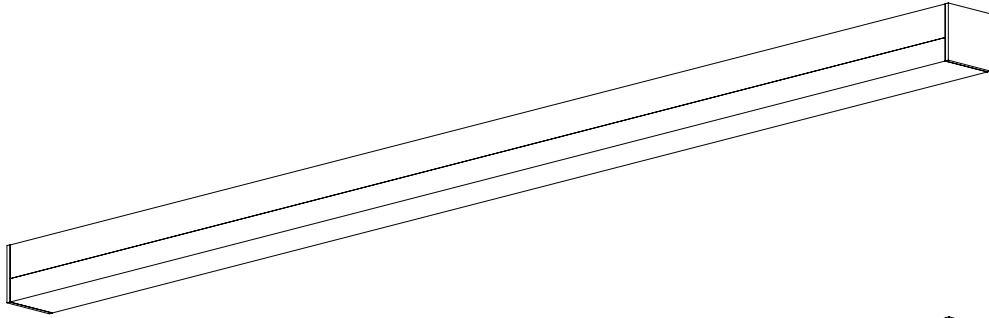


REVO.2  
11022023

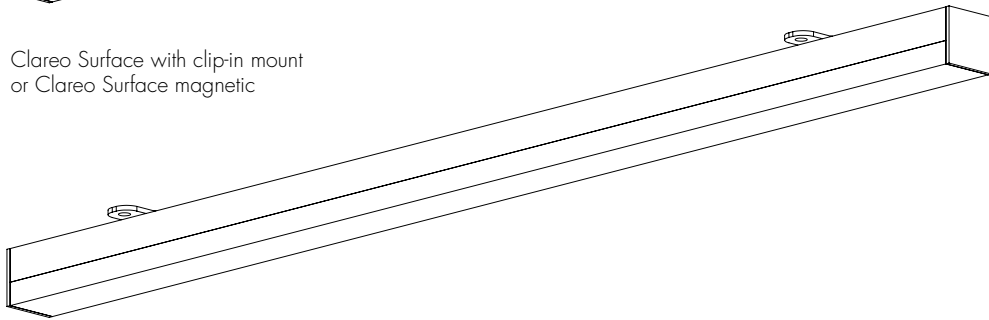
1 / 7



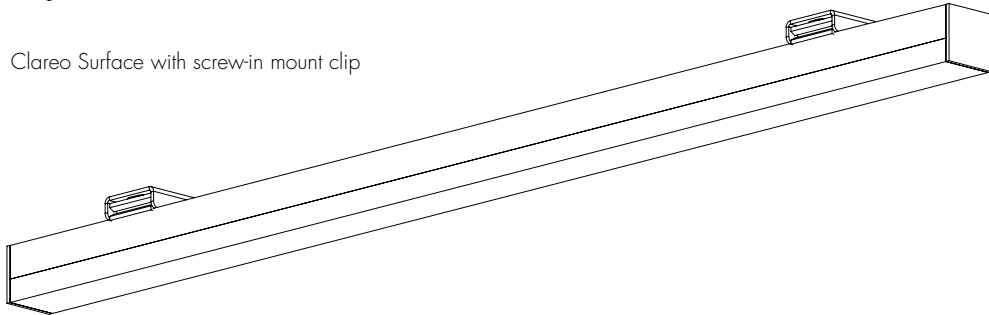
7777 Merrimac Ave  
Niles, IL 60714  
T 224.333.6033  
F 224.757.7557  
info@luminii.com  
www.luminii.com



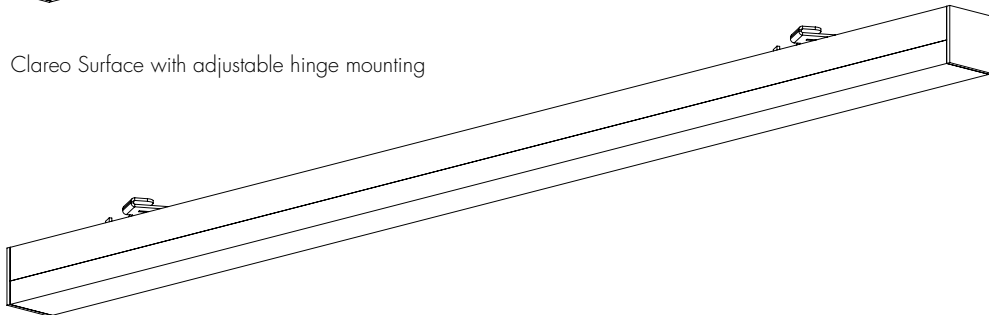
Clareo Surface with clip-in mount  
or Clareo Surface magnetic



Clareo Surface with screw-in mount clip



Clareo Surface with adjustable hinge mounting



Clareo Surface with tbar mounting clips

# Clareo Surface - Installation Instructions

Models CLS-XX & CLQ-XX

Please read all instructions prior to installation and keep for future reference!

1. PRODUCT TO BE INSTALLED BY A QUALIFIED ELECTRICIAN.
2. USE ONLY WITH CLASS 2 POWER UNIT.
3. 24 VOLTS DC.
4. SUITABLE FOR DAMP LOCATIONS.
5. SURFACE MOUNT ONLY.



REVO.2  
11022023

2 / 7



7777 Merrimac Ave  
Niles, IL 60714  
T 224.333.6033  
F 224.757.7557  
info@luminii.com  
www.luminii.com

## Clip-in Installation

1

**Note: Refer to the power supply installation instruction for additional information.**

**Note: More than one person is recommended for this installation.**

**1.1** Carefully remove the clip-in channel from the back of the fixture. Clip-in channel is 1/2" shorter than the fixture for wire management.

2

**2.1** Determine the location of the fixture. Then secure the clip-in channel to the surface with the provided mounting screws. When installing the mounting channel take into consideration the 1/2" shorter per wire lead/connector.

**2.2** Install mounting screws every 6 inches to the center of the mounting channel.

3

**3.1** Follow connector dimensions below and drill hole through surface. Insert wire lead/connector through surface & snap fixture into the mounting channel to secure in place.

**3.2** Follow one of the two options to connect the fixture to the power supply.

**Option 1 -** Secure female quick connect to male quick connect. Feed male quick connect wire through conduit to power supply.

OR

**Option 2 -** Feed wire whip to the power supply.

4

**4.1** Connect +24 VDC red wire from the fixture to the power supply +24 VDC red wire with a wire nut. Connect -24VDC black wire from the fixture to power supply -24VDC black wire with a wire nut.

# Clareo Surface - Installation Instructions

Models CLS-XX & CLQ-XX



7777 Merrimac Ave  
Niles, IL 60714  
T 224.333.6033  
F 224.757.7557  
info@luminii.com  
www.luminii.com

REVO.2  
11022023

3 / 7

Please read all instructions prior to installation and keep for future reference!

1. PRODUCT TO BE INSTALLED BY A QUALIFIED ELECTRICIAN.
2. USE ONLY WITH CLASS 2 POWER UNIT.
3. 24 VOLTS DC.
4. SUITABLE FOR DAMP LOCATIONS.
5. SURFACE MOUNT ONLY.

## Screw-in Installation

**1**

set screw

screw-in bracket

1.1

fixture

screw-in bracket

1.1

1.1

completely installed

**1.1** Install the screw-in brackets 4" from each end and 30" in between the fixtures. Line up each screw-in bracket to the back on the fixture & insert the edge of the clip into the fixture. Then rotate and push bracket in until you feel a click. Followed by tightening the set screw using the Allen wrench (provided). Repeat for the remaining brackets.

**2**

2.1

fixture

fixture

screw

**Note:** Prior to installation all 24VDC wires must be present near fixture. Refer to the power supply installation instruction for additional information.  
**Note:** More than one person is recommended for this installation.

**2.1** Determine the location of the fixture. Then secure the fixture to the surface using the provided mounting screws.

**3** **3.1** Follow one of the two options to connect the fixture to the power supply

**Option 1** - Secure female quick connect to male quick connect. Feed male quick connect wire through conduit to power supply.

wires from fixture

to power supply

male quick connect

female quick connect

**OR**

**Option 2** - Feed wire whip to the power supply.

wires from fixture

**4** **4.1** Connect +24 VDC red wire from the fixture to the power supply +24 VDC red wire with a wire nut. Connect -24VDC black wire from the fixture to power supply -24VDC black wire with a wire nut.

class II power supply

4.1

120 VAC

24 VDC

to fixture

+24 VDC RED

-24 VDC BLACK

+24 VDC RED

-24 VDC BLACK

# Clareo Surface - Installation Instructions

Models CLS-XX & CLQ-XX



7777 Merrimac Ave  
Niles, IL 60714  
T 224.333.6033  
F 224.757.7557  
info@luminii.com  
www.luminii.com

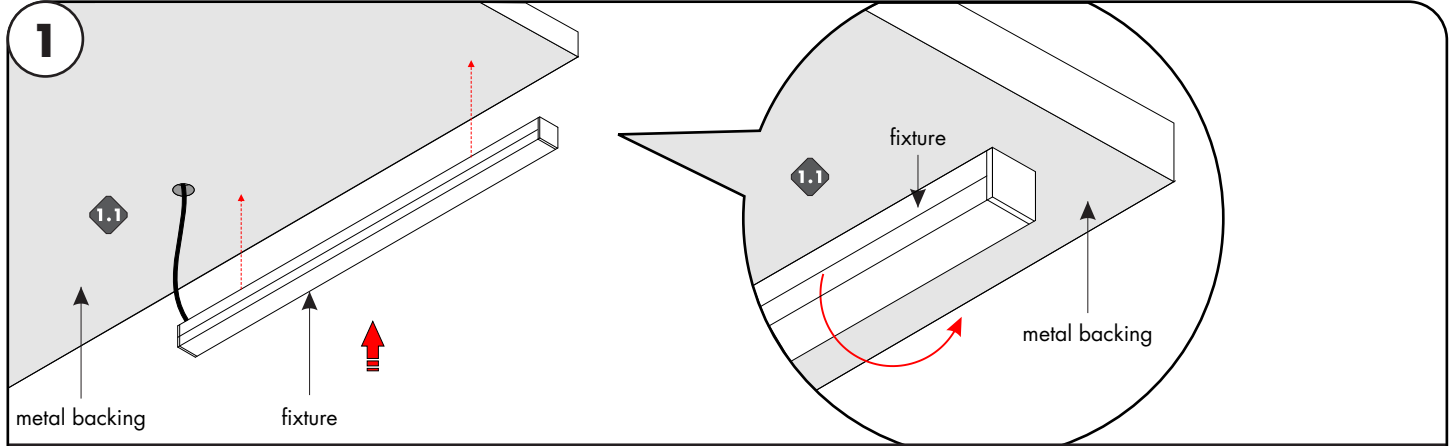
REVO.2  
11022023

4 / 7

Please read all instructions prior to installation and keep for future reference!

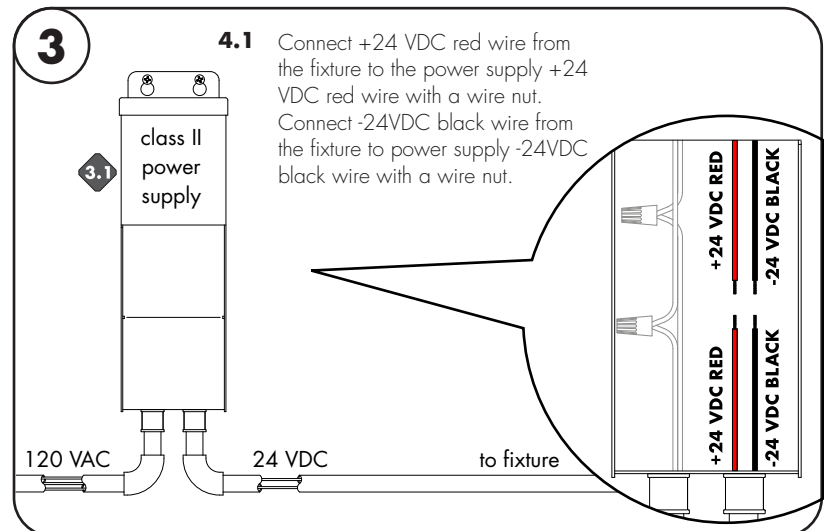
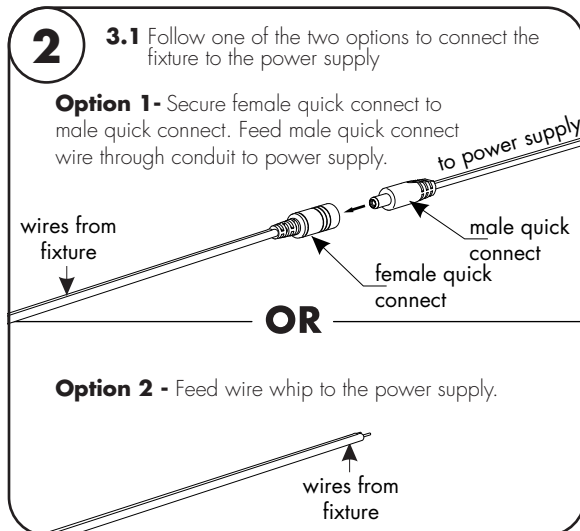
1. PRODUCT TO BE INSTALLED BY A QUALIFIED ELECTRICIAN.
2. USE ONLY WITH CLASS 2 POWER UNIT.
3. 24 VOLTS DC.
4. SUITABLE FOR DAMP LOCATIONS.
5. SURFACE MOUNT ONLY.

## Magnetic Installation



**Note:** Prior to installation all 24VDC wires must be present near fixture. Refer to the power supply installation instruction for additional information.  
**Note:** More than one person is recommended for this installation.

**1.1** Determine the location of the fixture. Must be made of steel or a ferrous metal. Clean the surface area thoroughly from any debris. Snap the fixture onto the metal surface. If necessary fixture can easily be removed by rotating off the surface and repositioning correctly.



# Clareo Surface - Installation Instructions

Models CLS-XX & CLQ-XX

Please read all instructions prior to installation and keep for future reference!

1. PRODUCT TO BE INSTALLED BY A QUALIFIED ELECTRICIAN.
2. USE ONLY WITH CLASS 2 POWER UNIT.
3. 24 VOLTS DC.
4. SUITABLE FOR DAMP LOCATIONS.
5. SURFACE MOUNT ONLY.



REVO.2  
11022023

5 / 7



7777 Merrimac Ave  
Niles, IL 60714  
T 224.333.6033  
F 224.757.7557  
info@luminii.com  
www.luminii.com

## Adjustable Hinge Installation

**1**

1.1 Slightly loosen both screws on the sides of the hinge bracket. Rotate the fixture to expose mounting hole.

**2**

**Note:** Prior to installation all 24VDC wires must be present near fixture. Refer to the power supply installation instruction for additional information.  
**Note:** More than one person is recommended for this installation.

**2.1** Determine the location of the fixture. Then secure the fixture to the surface using the provided mounting screws.

**2.2** Rotate the fixture to the desired angle then tighten the side screws to secure.

**3** **3.1** Follow one of the two options to connect the fixture to the power supply

**Option 1** - Secure female quick connect to male quick connect. Feed male quick connect wire through conduit to power supply.

**OR**

**Option 2** - Feed wire whip to the power supply.

**4** **4.1** Connect +24 VDC red wire from the fixture to the power supply +24 VDC red wire with a wire nut. Connect -24VDC black wire from the fixture to power supply -24VDC black wire with a wire nut.

# Clareo Surface - Installation Instructions

Models CLS-XX & CLQ-XX

Please read all instructions prior to installation and keep for future reference!

1. PRODUCT TO BE INSTALLED BY A QUALIFIED ELECTRICIAN.
2. USE ONLY WITH CLASS 2 POWER UNIT.
3. 24 VOLTS DC.
4. SUITABLE FOR DAMP LOCATIONS.
5. SURFACE MOUNT ONLY.



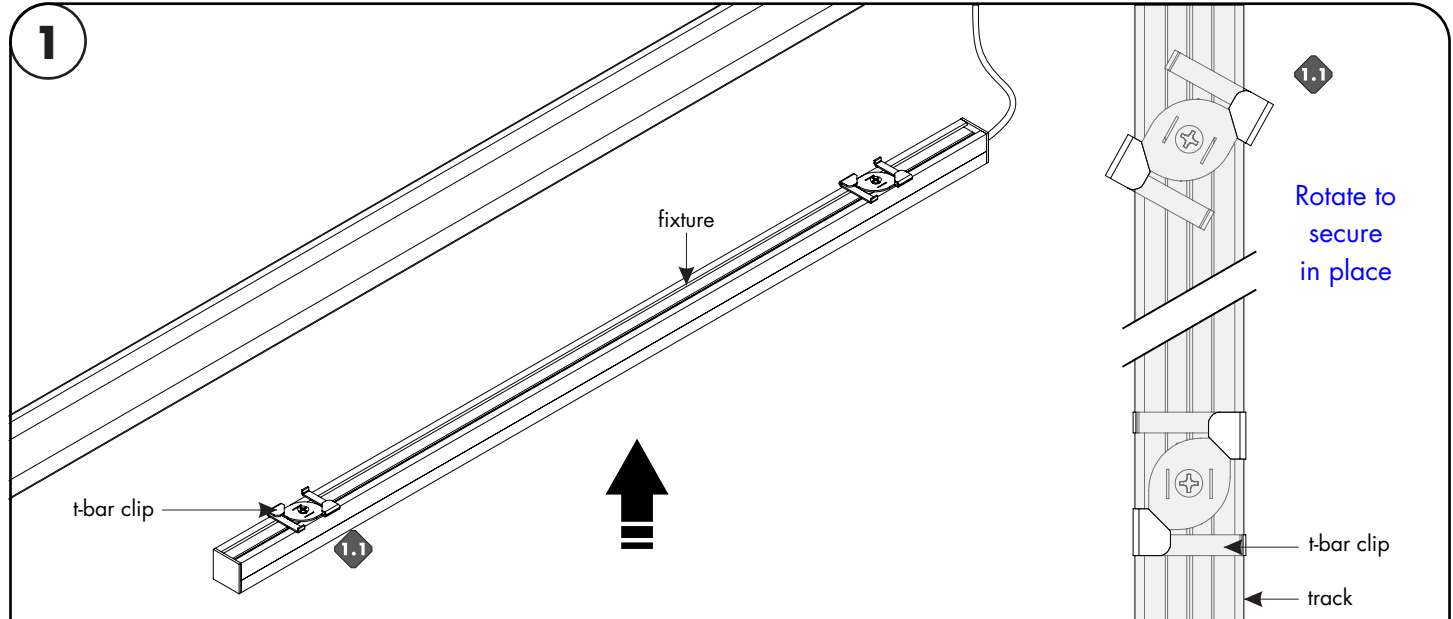
REVO.2  
110222023

6 / 7



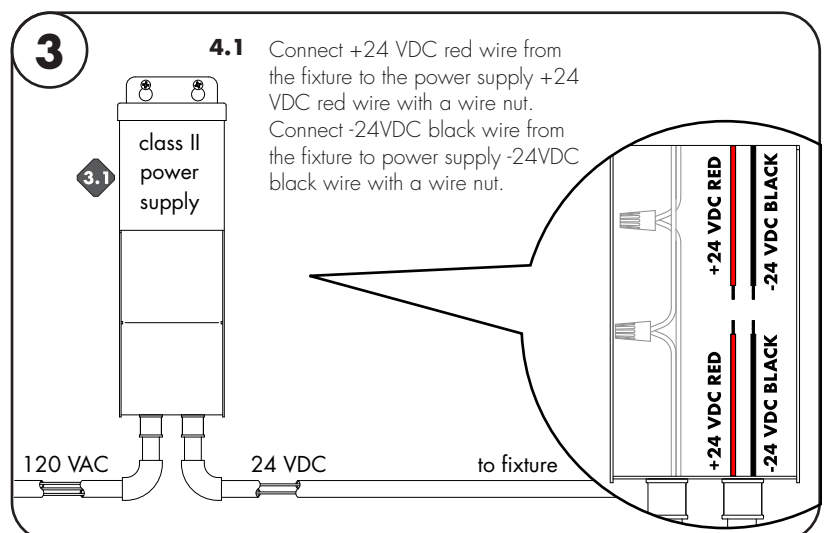
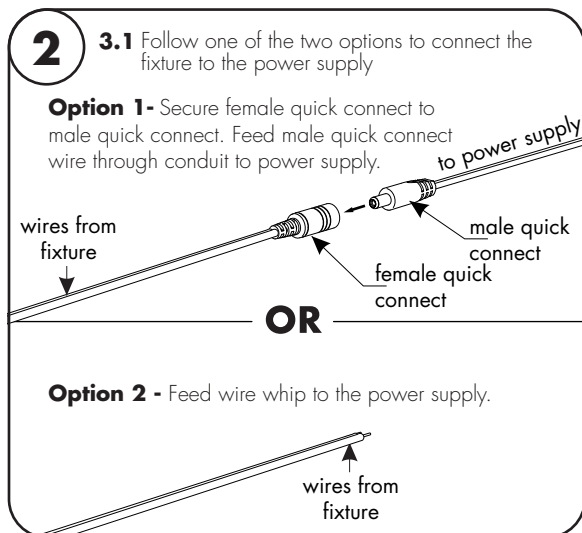
7777 Merrimac Ave  
Niles, IL 60714  
T 224.333.6033  
F 224.757.7557  
info@luminii.com  
www.luminii.com

## T-Bar Clip Installation



**Note:** Prior to installation all 24VDC wires must be present near fixture. Refer to the power supply installation instruction for additional information.  
**Note:** More than one person is recommended for this installation.

**1.1** Determine the location of the fixture. Must be made of steel or a ferrous metal. Clean the surface area thoroughly from any debris. Snap the fixture onto the metal surface. If necessary fixture can easily be removed by rotating off the surface and repositioning correctly.



# Clareo Surface - Installation Instructions

Models CLS-XX & CLQ-XX



7777 Merrimac Ave  
Niles, IL 60714  
T 224.333.6033  
F 224.757.7557  
info@luminii.com  
www.luminii.com

Please read all instructions prior to installation and keep for future reference!

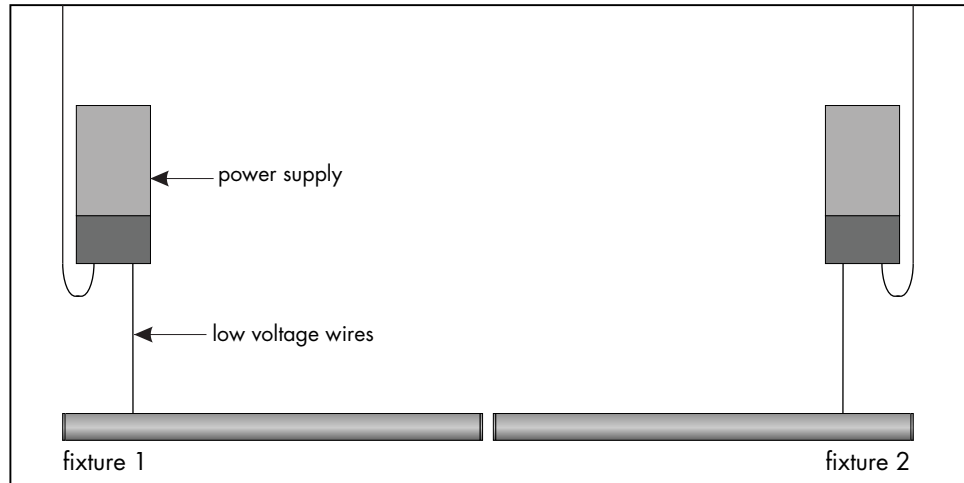
1. PRODUCT TO BE INSTALLED BY A QUALIFIED ELECTRICIAN.
2. USE ONLY WITH CLASS 2 POWER UNIT.
3. 24 VOLTS DC.
4. SUITABLE FOR DAMP LOCATIONS.
5. SURFACE MOUNT ONLY.

REVO.2  
11022023

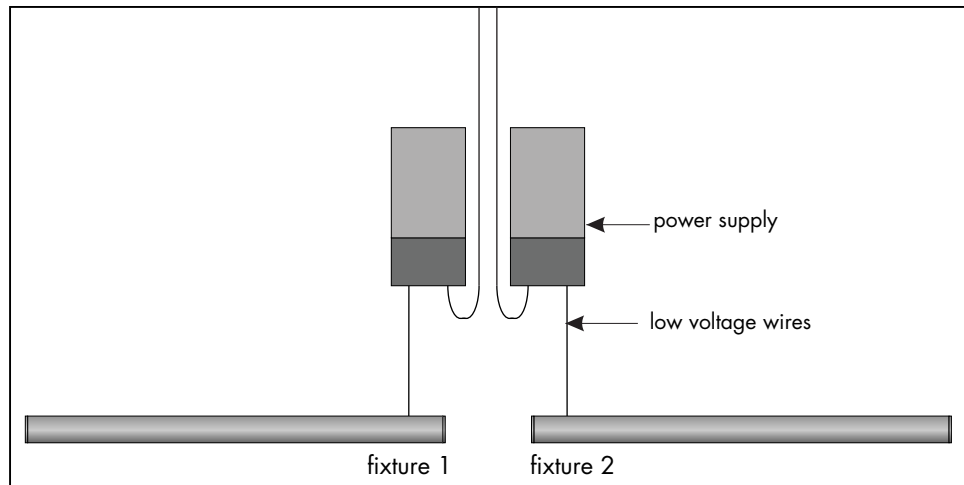
7 / 7

## Multiple Power Feed Layout Guide

power supplies at the end of the run



power supplies in the middle of the run



consecutive layout, NOT RECOMMENDED

