

MINIMO 16 ADJUSTABLE

ULTRA NARROW



TECHNICAL DESCRIPTION

Minimo 16 Adjustable is a Constant Current single source LED downlight that is machined from aerospace grade aluminium 6063-T6 and comes as standard in white and black along with a range of premium finishes. It has five site-changeable optics for flexible beam distribution and is fully adjustable with 360° pan and 35° tilt without breaking the ceiling line. The ultra narrow beam in our 8.40W 700lm module has a peak intensity of 12512cd. The integral accessory holder can accommodate 32mm lenses and louvers.

MECHANICAL & ELECTRICAL

CATEGORY IP20	WATTAGE 8.40W
MATERIAL Machined AL 6063-T6	FORWARD VOLTAGE 12V
PAN 360°	DRIVE CURRENT 700mA
TILT 35°	SUPPLY TYPE Constant Current
LOCKABLE N/A	DRIVER LOCATION Remote
WEIGHT 249g 0.55lb	DIMMING DALI 0-10V 1-10V

MOUNTING

MOUNTING Recessed	CUTOUT ø65mm (2.56")
CEILING THICKNESS 3-25mm (0.12-0.98")	MIN CEILING VOID 20mm (0.79") clearance above

FINISHES

FINISHES Brushed Aluminium | White RAL9010 | Black RAL9005 | Rubbed Bronze* | Polished Brass* | Polished Chrome*

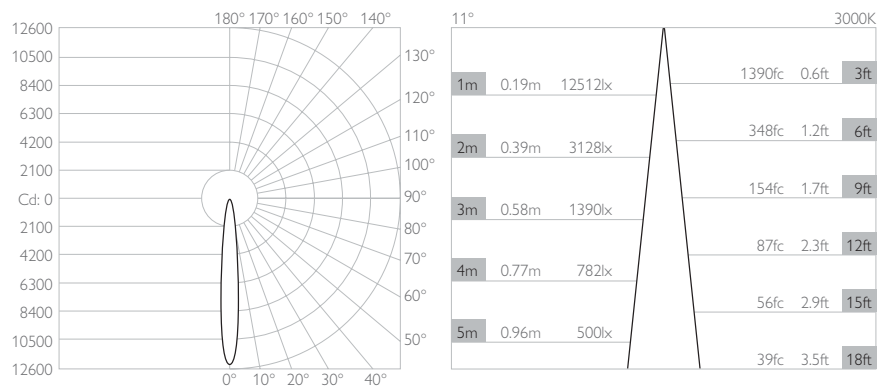
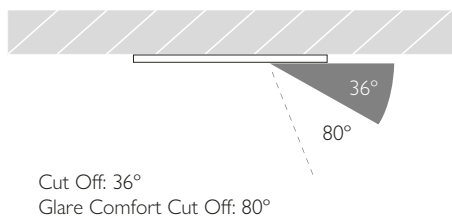
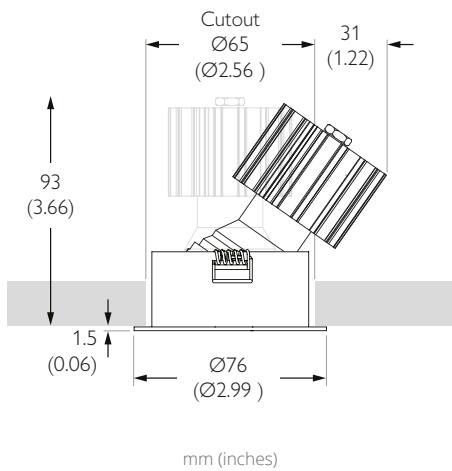
*Premium & custom finishes are built & finished to order. These are subject to an extended lead time & MOQ.

OPTICAL & STANDARDS

NOMINAL LUMENS 700lm	BEAM ANGLE 11°
DELIVERED LUMENS 661lm	CRI 92 TYP
COLOUR TEMPERATURE 2700K 3000K	TM-30 RF: 90 RG: 99
ACCESSORY HOLDER Integral	WARRANTY 5 Years
ACCESSORIES Louver Lenses 32mm	STANDARDS



Photometry shown is for 3000K module. Please enquire for other CCT photometry. L90 50,000 hours.



TRIM / BEZEL FINISH

White 9010	Black 9005	Brushed Aluminium	Rubbed Bronze*	Polished Brass*	Polished Chrome*
------------	------------	-------------------	----------------	-----------------	------------------

APERTURE FINISH	TRIM / BEZEL FINISH					
	White 9010	Black 9005	Brushed Aluminium	Rubbed Bronze*	Polished Brass*	Polished Chrome*
	White 9010	RCD-635-WH-WH-XX9209	RCD-635-BK-WH-XX9209	RCD-635-AL-WH-XX9209	RCD-635-RB-WH-XX9209	RCD-635-PB-WH-XX9209
Black 9005	RCD-635-WH-BK-XX9209	RCD-635-BK-BK-XX9209	RCD-635-AL-BK-XX9209	RCD-635-RB-BK-XX9209	RCD-635-PB-BK-XX9209	RCD-635-CH-BK-XX9209
Matt Gold Painted	RCD-635-WH-SB-XX9209	RCD-635-BK-SB-XX9209	RCD-635-BK-AL-XX9209	RCD-635-RB-SB-XX9209	RCD-635-PB-SB-XX9209	RCD-635-CH-SB-XX9209

*All premium & custom finishes are built & finished to order. These are subject to an extended lead time & MOQ

For 3000K Substitute XX with 30

For 2700K Substitute XX with 27

MINIMO 16 ADJUSTABLE

NARROW



TECHNICAL DESCRIPTION

Minimo 16 Adjustable is a Constant Current single source LED downlight that is machined from aerospace grade aluminium 6063-T6 and comes as standard in white and black along with a range of premium finishes. It has five site-changeable optics for flexible beam distribution and is fully adjustable with 360° pan and 35° tilt without breaking the ceiling line. The narrow beam in our 8.40W 700lm module has a peak intensity of 8971cd. The integral accessory holder can accommodate 32mm lenses and louvers.

MECHANICAL & ELECTRICAL

CATEGORY IP20	WATTAGE 8.40W
MATERIAL Machined AL 6063-T6	FORWARD VOLTAGE 12V
PAN 360°	DRIVE CURRENT 700mA
TILT 35°	SUPPLY TYPE Constant Current
LOCKABLE N/A	DRIVER LOCATION Remote
WEIGHT 249g 0.55lb	DIMMING DALI 0-10V 1-10V

MOUNTING

MOUNTING Recessed	CUTOUT ø65mm (2.56")
CEILING THICKNESS 3-25mm (0.12-0.98")	MIN CEILING VOID 20mm (0.79") clearance above

FINISHES

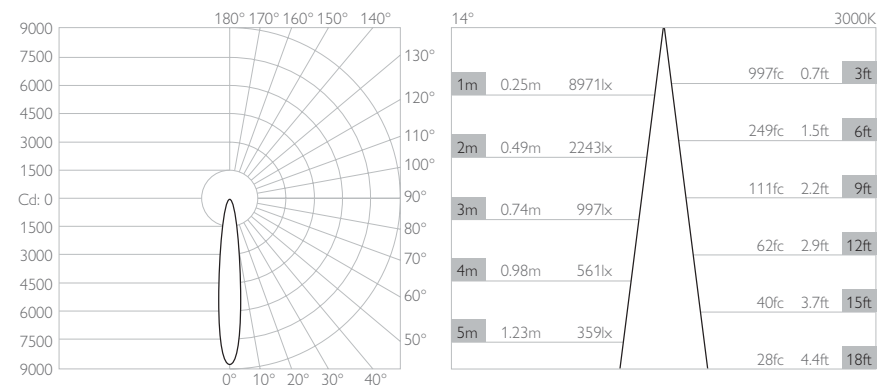
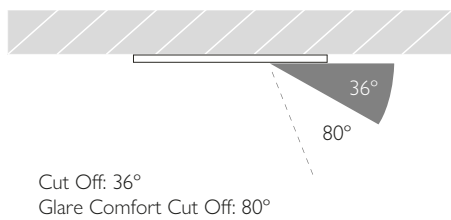
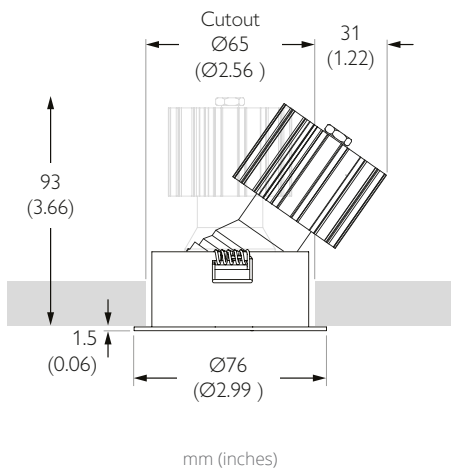
FINISHES Brushed Aluminium | White RAL9010 | Black RAL9005 | Rubbed Bronze* | Polished Brass* | Polished Chrome*
*Premium & custom finishes are built & finished to order. These are subject to an extended lead time & MOQ.

OPTICAL & STANDARDS

NOMINAL LUMENS 700lm	BEAM ANGLE 14°
DELIVERED LUMENS 650lm	CRI 92 TYP
COLOUR TEMPERATURE 2700K 3000K	TM-30 RF: 90 RG: 99
ACCESSORY HOLDER Integral	WARRANTY 5 Years
ACCESSORIES Louver Lenses 32mm	STANDARDS



Photometry shown is for 3000K module. Please enquire for other CCT photometry. L90 50,000 hours.



TRIM / BEZEL FINISH

White 9010	Black 9005	Brushed Aluminium	Rubbed Bronze*	Polished Brass*	Polished Chrome*
------------	------------	-------------------	----------------	-----------------	------------------

APERTURE FINISH	TRIM / BEZEL FINISH					
	White 9010	Black 9005	Brushed Aluminium	Rubbed Bronze*	Polished Brass*	Polished Chrome*
	White 9010	RCD-635-WH-WH-XX9211	RCD-635-BK-WH-XX9211	RCD-635-AL-WH-XX9211	RCD-635-RB-WH-XX9211	RCD-635-PB-WH-XX9211
Black 9005	RCD-635-WH-BK-XX9211	RCD-635-BK-BK-XX9211	RCD-635-AL-BK-XX9211	RCD-635-RB-BK-XX9211	RCD-635-PB-BK-XX9211	RCD-635-CH-BK-XX9211
Matt Gold Painted	RCD-635-WH-SB-XX9211	RCD-635-BK-SB-XX9211	RCD-635-BK-AL-XX9211	RCD-635-RB-SB-XX9211	RCD-635-PB-SB-XX9211	RCD-635-CH-SB-XX9211

*All premium & custom finishes are built & finished to order. These are subject to an extended lead time & MOQ

For 3000K Substitute XX with 30

For 2700K Substitute XX with 27

MINIMO 16 ADJUSTABLE

MEDIUM



TECHNICAL DESCRIPTION

Minimo 16 Adjustable is a Constant Current single source LED downlight that is machined from aerospace grade aluminium 6063-T6 and comes as standard in white and black along with a range of premium finishes. It has five site-changeable optics for flexible beam distribution and is fully adjustable with 360° pan and 35° tilt without breaking the ceiling line. The medium beam in our 8.40W 700lm module has a peak intensity of 5754cd. The integral accessory holder can accommodate 32mm lenses and louvers.

MECHANICAL & ELECTRICAL

CATEGORY IP20

MATERIAL Machined AL 6063-T6

PAN 360°

TILT 35°

LOCKABLE N/A

WEIGHT 249g | 0.55lb

WATTAGE 8.40W

FORWARD VOLTAGE 12V

DRIVE CURRENT 700mA

SUPPLY TYPE Constant Current

DRIVER LOCATION Remote

DIMMING DALI | 0-10V | 1-10V

MOUNTING

MOUNTING Recessed

CEILING THICKNESS 3-25mm (0.12-0.98")

CUTOUT ø65mm (2.56")

MIN CEILING VOID 20mm (0.79") clearance above

FINISHES

FINISHES Brushed Aluminium | White RAL9010 | Black RAL9005 | Rubbed Bronze* | Polished Brass* | Polished Chrome*

*Premium & custom finishes are built & finished to order. These are subject to an extended lead time & MOQ.

OPTICAL & STANDARDS

NOMINAL LUMENS 700lm

DELIVERED LUMENS 643lm

COLOUR TEMPERATURE 2700K | 3000K

ACCESSORY HOLDER Integral

ACCESSORIES Louver | Lenses 32mm

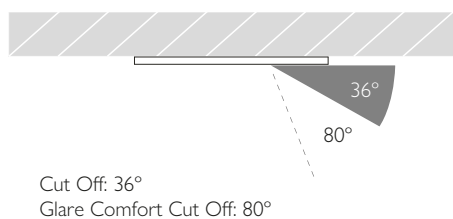
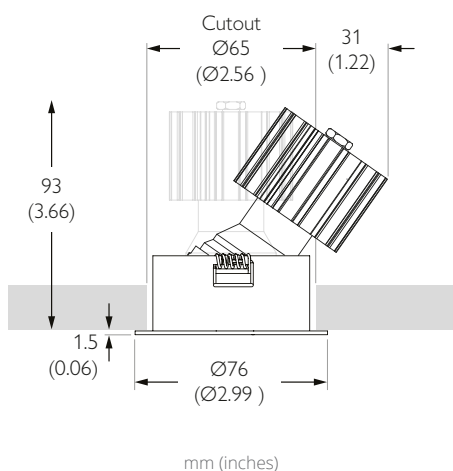
BEAM ANGLE 18°

CRI 92 TYP

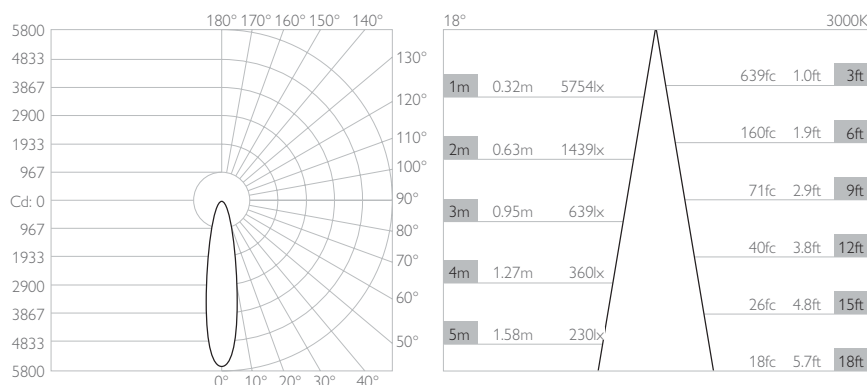
TM-30 RF: 90 RG: 99

WARRANTY 5 Years

STANDARDS



Photometry shown is for 3000K module. Please enquire for other CCT photometry. L90 50,000 hours.



TRIM / BEZEL FINISH

White 9010	Black 9005	Brushed Aluminium	Rubbed Bronze*	Polished Brass*	Polished Chrome*
------------	------------	-------------------	----------------	-----------------	------------------

APERTURE FINISH	TRIM / BEZEL FINISH					
	White 9010	Black 9005	Brushed Aluminium	Rubbed Bronze*	Polished Brass*	Polished Chrome*
	White 9010	RCD-635-WH-WH-XX9215	RCD-635-BK-WH-XX9215	RCD-635-AL-WH-XX9215	RCD-635-RB-WH-XX9215	RCD-635-PB-WH-XX9215
Black 9005	RCD-635-WH-BK-XX9215	RCD-635-BK-BK-XX9215	RCD-635-AL-BK-XX9215	RCD-635-RB-BK-XX9215	RCD-635-PB-BK-XX9215	RCD-635-CH-BK-XX9215
Matt Gold Painted	RCD-635-WH-SB-XX9215	RCD-635-BK-SB-XX9215	RCD-635-AL-SB-XX9215	RCD-635-RB-SB-XX9215	RCD-635-PB-SB-XX9215	RCD-635-CH-SB-XX9215

*All premium & custom finishes are built & finished to order. These are subject to an extended lead time & MOQ

For 3000K Substitute XX with 30

For 2700K Substitute XX with 27

MINIMO 16 ADJUSTABLE

FLOOD



TECHNICAL DESCRIPTION

Minimo 16 Adjustable is a Constant Current single source LED downlight that is machined from aerospace grade aluminium 6063-T6 and comes as standard in white and black along with a range of premium finishes. It has five site-changeable optics for flexible beam distribution and is fully adjustable with 360° pan and 35° tilt without breaking the ceiling line. The flood beam in our 8.40W 700lm module has a peak intensity of 1813cd. The integral accessory holder can accommodate 32mm lenses and louvers.

MECHANICAL & ELECTRICAL

CATEGORY IP20	WATTAGE 8.40W
MATERIAL Machined AL 6063-T6	FORWARD VOLTAGE 12V
PAN 360°	DRIVE CURRENT 700mA
TILT 35°	SUPPLY TYPE Constant Current
LOCKABLE N/A	DRIVER LOCATION Remote
WEIGHT 249g 0.55lb	DIMMING DALI 0-10V 1-10V

MOUNTING

MOUNTING Recessed	CUTOUT ø65mm (2.56")
CEILING THICKNESS 3-25mm (0.12-0.98")	MIN CEILING VOID 20mm (0.79") clearance above

FINISHES

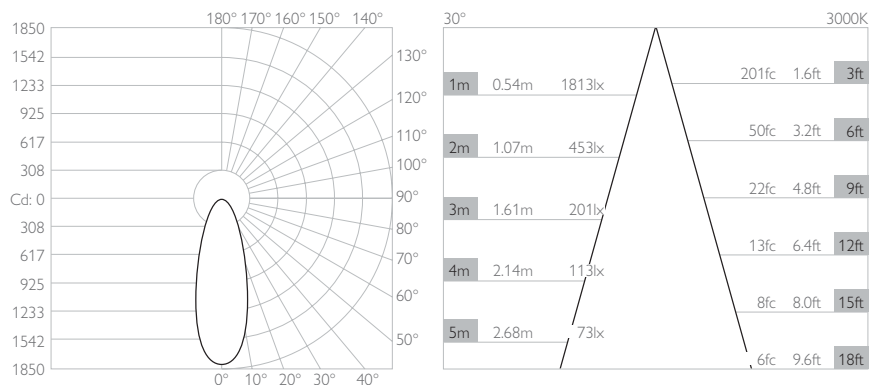
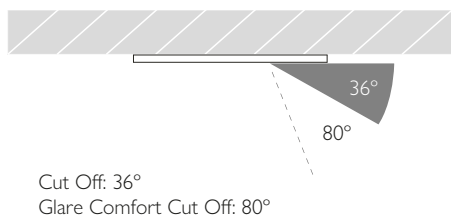
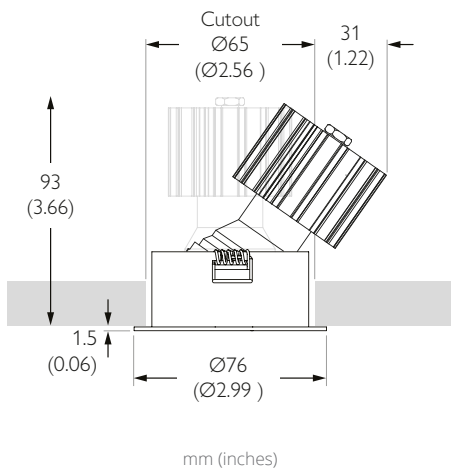
FINISHES Brushed Aluminium | White RAL9010 | Black RAL9005 | Rubbed Bronze* | Polished Brass* | Polished Chrome*
*Premium & custom finishes are built & finished to order. These are subject to an extended lead time & MOQ.

OPTICAL & STANDARDS

NOMINAL LUMENS 700lm	BEAM ANGLE 30°
DELIVERED LUMENS 555lm	CRI 92 TYP
COLOUR TEMPERATURE 2700K 3000K	TM-30 RF: 90 RG: 99
ACCESSORY HOLDER Integral	WARRANTY 5 Years
ACCESSORIES Louver Lenses 32mm	STANDARDS



Photometry shown is for 3000K module. Please enquire for other CCT photometry. L90 50,000 hours.



TRIM / BEZEL FINISH

White 9010	Black 9005	Brushed Aluminium	Rubbed Bronze*	Polished Brass*	Polished Chrome*
------------	------------	-------------------	----------------	-----------------	------------------

APERTURE FINISH	TRIM / BEZEL FINISH					
	White 9010	Black 9005	Brushed Aluminium	Rubbed Bronze*	Polished Brass*	Polished Chrome*
	White 9010	RCD-635-WH-WH-XX9225	RCD-635-BK-WH-XX9225	RCD-635-AL-WH-XX9225	RCD-635-RB-WH-XX9225	RCD-635-PB-WH-XX9225
Black 9005	RCD-635-WH-BK-XX9225	RCD-635-BK-BK-XX9225	RCD-635-AL-BK-XX9225	RCD-635-RB-BK-XX9225	RCD-635-PB-BK-XX9225	RCD-635-CH-BK-XX9225
Matt Gold Painted	RCD-635-WH-SB-XX9225	RCD-635-BK-SB-XX9225	RCD-635-BK-AL-XX9225	RCD-635-RB-SB-XX9225	RCD-635-PB-SB-XX9225	RCD-635-CH-SB-XX9225

*All premium & custom finishes are built & finished to order. These are subject to an extended lead time & MOQ

For 3000K Substitute XX with 30

For 2700K Substitute XX with 27

MINIMO 16 ADJUSTABLE

WIDE FLOOD



TECHNICAL DESCRIPTION

Minimo 16 Adjustable is a Constant Current single source LED downlight that is machined from aerospace grade aluminium 6063-T6 and comes as standard in white and black along with a range of premium finishes. It has five site-changeable optics for flexible beam distribution and is fully adjustable with 360° pan and 35° tilt without breaking the ceiling line. The wide flood beam in our 8.40W 700lm module has a peak intensity of 660cd. The integral accessory holder can accommodate 32mm lenses and louvers.

MECHANICAL & ELECTRICAL

CATEGORY IP20	WATTAGE 8.40W
MATERIAL Machined AL 6063-T6	FORWARD VOLTAGE 12V
PAN 360°	DRIVE CURRENT 700mA
TILT 35°	SUPPLY TYPE Constant Current
LOCKABLE N/A	DRIVER LOCATION Remote
WEIGHT 249g 0.55lb	DIMMING DALI 0-10V 1-10V

MOUNTING

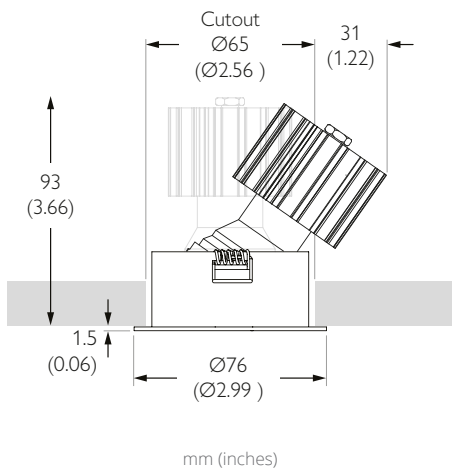
MOUNTING Recessed	CUTOUT ø65mm (2.56")
CEILING THICKNESS 3-25mm (0.12-0.98")	MIN CEILING VOID 20mm (0.79") clearance above

FINISHES

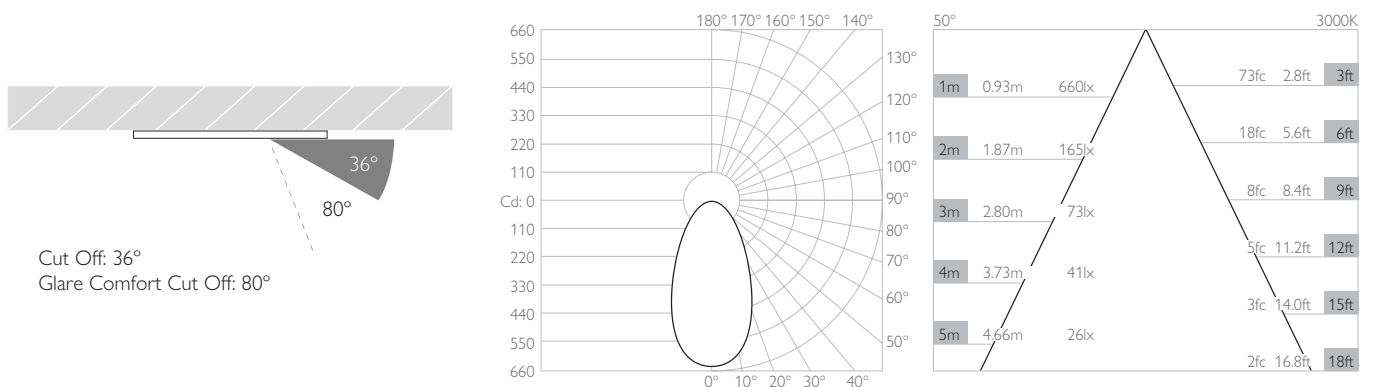
FINISHES Brushed Aluminium | White RAL9010 | Black RAL9005 | Rubbed Bronze* | Polished Brass* | Polished Chrome*
*Premium & custom finishes are built & finished to order. These are subject to an extended lead time & MOQ.

OPTICAL & STANDARDS

NOMINAL LUMENS 700lm	BEAM ANGLE 50°
DELIVERED LUMENS 546lm	CRI 92 TYP
COLOUR TEMPERATURE 2700K 3000K	TM-30 RF: 90 RG: 99
ACCESSORY HOLDER Integral	WARRANTY 5 Years
ACCESSORIES Louver Lenses 32mm	STANDARDS



Photometry shown is for 3000K module. Please enquire for other CCT photometry. L90 50,000 hours.



TRIM / BEZEL FINISH

White 9010	Black 9005	Brushed Aluminium	Rubbed Bronze*	Polished Brass*	Polished Chrome*
------------	------------	-------------------	----------------	-----------------	------------------

APERTURE FINISH	TRIM / BEZEL FINISH					
	White 9010	Black 9005	Brushed Aluminium	Rubbed Bronze*	Polished Brass*	Polished Chrome*
	White 9010	RCD-635-WH-WH-XX9245	RCD-635-BK-WH-XX9245	RCD-635-AL-WH-XX9245	RCD-635-RB-WH-XX9245	RCD-635-PB-WH-XX9245
Black 9005	RCD-635-WH-BK-XX9245	RCD-635-BK-BK-XX9245	RCD-635-AL-BK-XX9245	RCD-635-RB-BK-XX9245	RCD-635-PB-BK-XX9245	RCD-635-CH-BK-XX9245
Matt Gold Painted	RCD-635-WH-SB-XX9245	RCD-635-BK-SB-XX9245	RCD-635-AL-SB-XX9245	RCD-635-RB-SB-XX9245	RCD-635-PB-SB-XX9245	RCD-635-CH-SB-XX9245

*All premium & custom finishes are built & finished to order. These are subject to an extended lead time & MOQ

For 3000K Substitute XX with 30

For 2700K Substitute XX with 27