

# MINIMO 16 ADJUSTABLE TRIMLESS

ULTRA NARROW



## TECHNICAL DESCRIPTION

Minimo 16 Adjustable Trimless is a Constant Current single source LED downlight that is machined from aerospace grade aluminium 6063-T6 and comes as standard in white and black along with a range of premium finishes. It has five site-changeable optics for flexible beam distribution and is fully adjustable with 360° pan and 35° tilt without breaking the ceiling line. The ultra narrow beam in our 8.40W 700lm module has a peak intensity of 12512cd. The integral accessory holder can accommodate 32mm lenses and louvers.

## MECHANICAL & ELECTRICAL

**CATEGORY** IP20

**MATERIAL** Machined AL 6063-T6

**PAN** 360°

**TILT** 35°

**LOCKABLE** N/A

**WEIGHT** 249g | 0.55lb

**WATTAGE** 8.40W

**FORWARD VOLTAGE** 12V

**DRIVE CURRENT** 700mA

**SUPPLY TYPE** Constant Current

**DRIVER LOCATION** Remote

**DIMMING** DALI | 0-10V | 1-10V

## MOUNTING

**MOUNTING** Recessed

**CEILING THICKNESS** min 5mm (0.20")

**CUTOUT** ø76mm (3.00")

**MIN CEILING VOID** 20mm (0.79") clearance above

## FINISHES

**FINISHES** White RAL9010 | Black RAL9005 | Matt Gold Paint

\*Premium & custom finishes are built & finished to order. These are subject to an extended lead time & MOQ.

## OPTICAL & STANDARDS

**NOMINAL LUMENS** 700lm

**DELIVERED LUMENS** 661lm

**COLOUR TEMPERATURE** 2700K | 3000K

**ACCESSORY HOLDER** Integral

**ACCESSORIES** Louver | Lenses 32mm

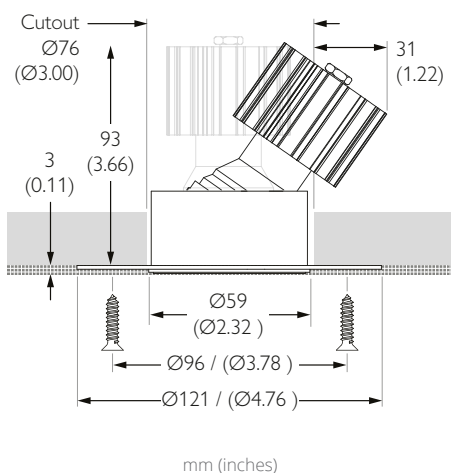
**BEAM ANGLE** 11°

**CRI** 92 TYP

**TM-30** RF: 90 RG: 99

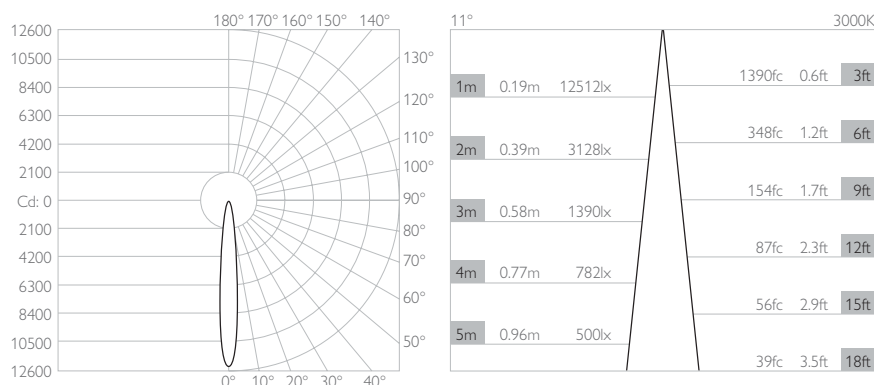
**WARRANTY** 5 Years

**STANDARDS**



mm (inches)

Photometry shown is for 3000K module. Please enquire for other CCT photometry. L90 50,000 hours.



## APERTURE FINISH

White 9010	Black 9005	Matt Gold Painted
RCT-635-WH-XX9209	RCT-635-BK-XX9209	RCT-635-SB-XX9209

\*All premium & custom finishes are built & finished to order. These are subject to an extended lead time & MOQ

For 3000K Substitute XX with 30

For 2700K Substitute XX with 27

# MINIMO 16 ADJUSTABLE TRIMLESS

NARROW



## TECHNICAL DESCRIPTION

Minimo 16 Adjustable Trimless is a Constant Current single source LED downlight that is machined from aerospace grade aluminium 6063-T6 and comes as standard in white and black along with a range of premium finishes. It has five site-changeable optics for flexible beam distribution and is fully adjustable with 360° pan and 35° tilt without breaking the ceiling line. The narrow beam in our 8.40W 700lm module has a peak intensity of 8971cd. The integral accessory holder can accommodate 32mm lenses and louvers.

## MECHANICAL & ELECTRICAL

**CATEGORY** IP20

**MATERIAL** Machined AL 6063-T6

**PAN** 360°

**TILT** 35°

**LOCKABLE** N/A

**WEIGHT** 249g | 0.55lb

**WATTAGE** 8.40W

**FORWARD VOLTAGE** 12V

**DRIVE CURRENT** 700mA

**SUPPLY TYPE** Constant Current

**DRIVER LOCATION** Remote

**DIMMING** DALI | 0-10V | 1-10V

## MOUNTING

**MOUNTING** Recessed

**CEILING THICKNESS** min 5mm (0.20")

**CUTOUT** ø76mm (3.00")

**MIN CEILING VOID** 20mm (0.79") clearance above

## FINISHES

**FINISHES** White RAL9010 | Black RAL9005 | Matt Gold Paint

\*Premium & custom finishes are built & finished to order. These are subject to an extended lead time & MOQ.

## OPTICAL & STANDARDS

**NOMINAL LUMENS** 700lm

**DELIVERED LUMENS** 650lm

**COLOUR TEMPERATURE** 2700K | 3000K

**ACCESSORY HOLDER** Integral

**ACCESSORIES** Louver | Lenses 32mm

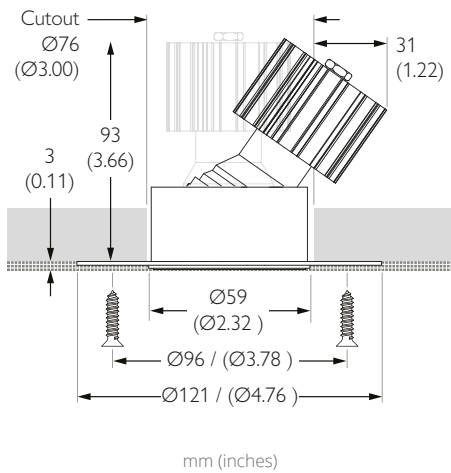
**BEAM ANGLE** 14°

**CRI** 92 TYP

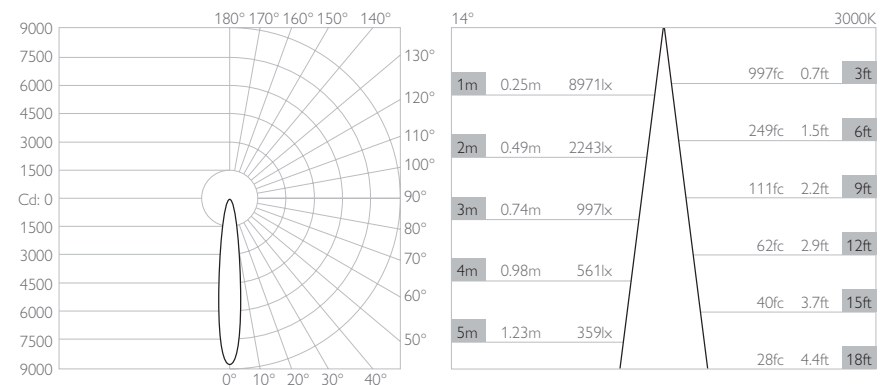
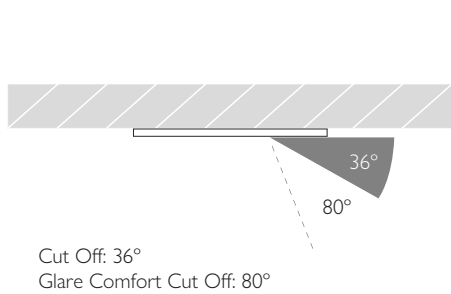
**TM-30** RF: 90 RG: 99

**WARRANTY** 5 Years

**STANDARDS**



Photometry shown is for 3000K module. Please enquire for other CCT photometry. L90 50,000 hours.



## APERTURE FINISH

White 9010	Black 9005	Matt Gold Painted
RCT-635-WH-XX9211	RCT-635-BK-XX9211	RCT-635-SB-XX9211

\*All premium & custom finishes are built & finished to order. These are subject to an extended lead time & MOQ

For 3000K Substitute XX with 30

For 2700K Substitute XX with 27

# MINIMO 16 ADJUSTABLE TRIMLESS

MEDIUM



## TECHNICAL DESCRIPTION

Minimo 16 Adjustable Trimless is a Constant Current single source LED downlight that is machined from aerospace grade aluminium 6063-T6 and comes as standard in white and black along with a range of premium finishes. It has five site-changeable optics for flexible beam distribution and is fully adjustable with 360° pan and 35° tilt without breaking the ceiling line. The medium beam in our 8.40W 700lm module has a peak intensity of 5754cd. The integral accessory holder can accommodate 32mm lenses and louvers.

## MECHANICAL & ELECTRICAL

**CATEGORY** IP20

**MATERIAL** Machined AL 6063-T6

**PAN** 360°

**TILT** 35°

**LOCKABLE** N/A

**WEIGHT** 249g | 0.55lb

**WATTAGE** 8.40W

**FORWARD VOLTAGE** 12V

**DRIVE CURRENT** 700mA

**SUPPLY TYPE** Constant Current

**DRIVER LOCATION** Remote

**DIMMING** DALI | 0-10V | 1-10V

## MOUNTING

**MOUNTING** Recessed

**CEILING THICKNESS** min 5mm (0.20")

**CUTOUT** ø76mm (3.00")

**MIN CEILING VOID** 20mm (0.79") clearance above

## FINISHES

**FINISHES** White RAL9010 | Black RAL9005 | Matt Gold Paint

\*Premium & custom finishes are built & finished to order. These are subject to an extended lead time & MOQ.

## OPTICAL & STANDARDS

**NOMINAL LUMENS** 700lm

**DELIVERED LUMENS** 643lm

**COLOUR TEMPERATURE** 2700K | 3000K

**ACCESSORY HOLDER** Integral

**ACCESSORIES** Louver | Lenses 32mm

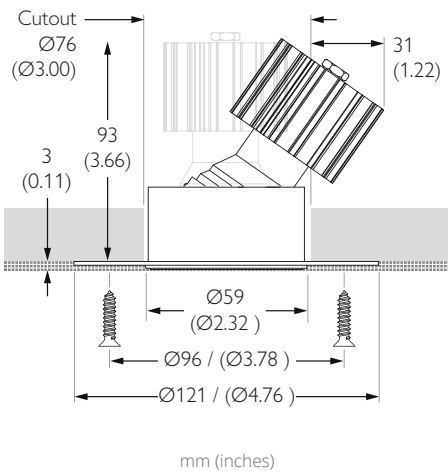
**BEAM ANGLE** 18°

**CRI** 92 TYP

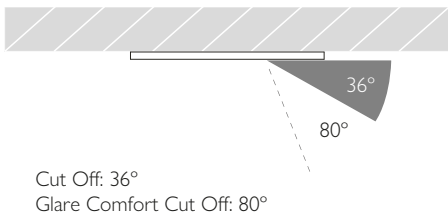
**TM-30** RF: 90 RG: 99

**WARRANTY** 5 Years

**STANDARDS**

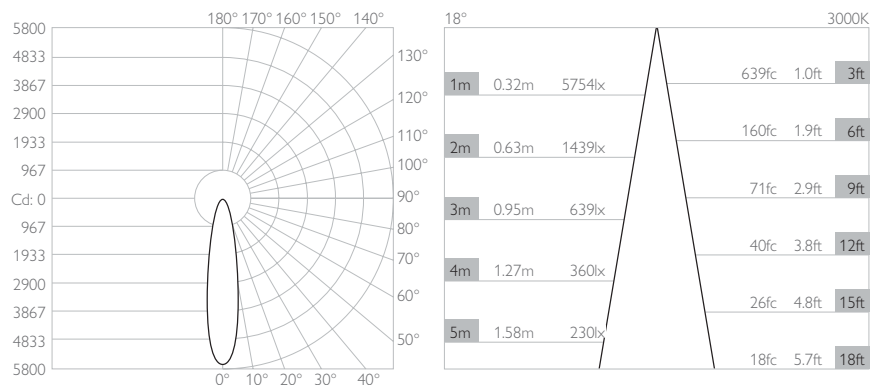


mm (inches)



Cut Off: 36°  
Glare Comfort Cut Off: 80°

Photometry shown is for 3000K module. Please enquire for other CCT photometry. L90 50,000 hours.



## APERTURE FINISH

White 9010	Black 9005	Matt Gold Painted
RCT-635-WH-XX9215	RCT-635-BK-XX9215	RCT-635-SB-XX9215

\*All premium & custom finishes are built & finished to order. These are subject to an extended lead time & MOQ

For 3000K Substitute XX with 30

For 2700K Substitute XX with 27

# MINIMO 16 ADJUSTABLE TRIMLESS

## FLOOD



### TECHNICAL DESCRIPTION

Minimo 16 Adjustable Trimless is a Constant Current single source LED downlight that is machined from aerospace grade aluminium 6063-T6 and comes as standard in white and black along with a range of premium finishes. It has five site-changeable optics for flexible beam distribution and is fully adjustable with 360° pan and 35° tilt without breaking the ceiling line. The flood beam in our 8.40W 700lm module has a peak intensity of 1813cd. The integral accessory holder can accommodate 32mm lenses and louvers.

### MECHANICAL & ELECTRICAL

**CATEGORY** IP20

**MATERIAL** Machined AL 6063-T6

**PAN** 360°

**TILT** 35°

**LOCKABLE** N/A

**WEIGHT** 249g | 0.55lb

**WATTAGE** 8.40W

**FORWARD VOLTAGE** 12V

**DRIVE CURRENT** 700mA

**SUPPLY TYPE** Constant Current

**DRIVER LOCATION** Remote

**DIMMING** DALI | 0-10V | 1-10V

### MOUNTING

**MOUNTING** Recessed

**CEILING THICKNESS** min 5mm (0.20")

**CUTOUT** ø76mm (3.00")

**MIN CEILING VOID** 20mm (0.79") clearance above

### FINISHES

**FINISHES** White RAL9010 | Black RAL9005 | Matt Gold Paint

\*Premium & custom finishes are built & finished to order. These are subject to an extended lead time & MOQ.

### OPTICAL & STANDARDS

**NOMINAL LUMENS** 700lm

**DELIVERED LUMENS** 555lm

**COLOUR TEMPERATURE** 2700K | 3000K

**ACCESSORY HOLDER** Integral

**ACCESSORIES** Louver | Lenses 32mm

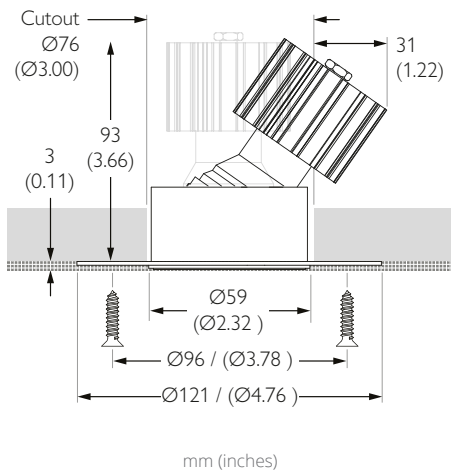
**BEAM ANGLE** 30°

**CRI** 92 TYP

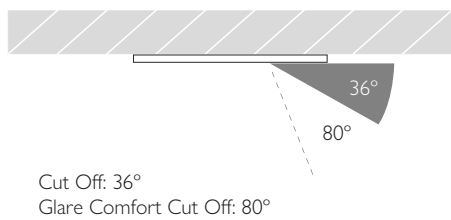
**TM-30** RF: 90 RG: 99

**WARRANTY** 5 Years

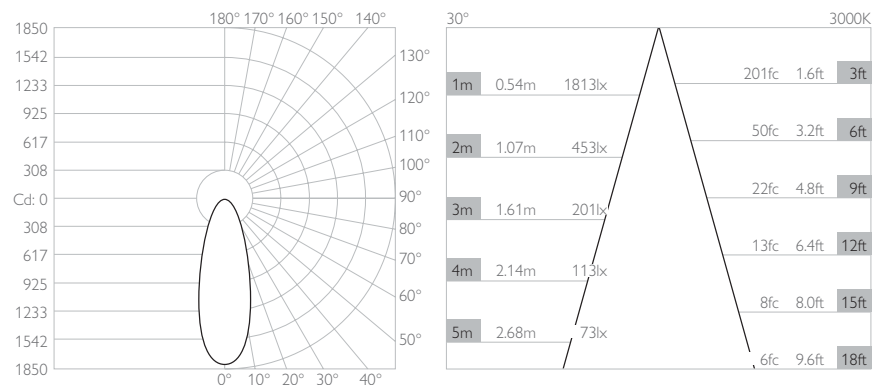
**STANDARDS**



mm (inches)



Photometry shown is for 3000K module. Please enquire for other CCT photometry. L90 50,000 hours.



### APERTURE FINISH

White 9010	Black 9005	Matt Gold Painted
RCT-635-WH-XX9225	RCT-635-BK-XX9225	RCT-635-SB-XX9225

\*All premium & custom finishes are built & finished to order. These are subject to an extended lead time & MOQ

For 3000K Substitute XX with 30

For 2700K Substitute XX with 27

# MINIMO 16 ADJUSTABLE TRIMLESS

## WIDE FLOOD



### TECHNICAL DESCRIPTION

Minimo 16 Adjustable Trimless is a Constant Current single source LED downlight that is machined from aerospace grade aluminium 6063-T6 and comes as standard in white and black along with a range of premium finishes. It has five site-changeable optics for flexible beam distribution and is fully adjustable with 360° pan and 35° tilt without breaking the ceiling line. The wide flood beam in our 8.40W 700lm module has a peak intensity of 660cd. The integral accessory holder can accommodate 32mm lenses and louvers.

### MECHANICAL & ELECTRICAL

**CATEGORY** IP20

**MATERIAL** Machined AL 6063-T6

**PAN** 360°

**TILT** 35°

**LOCKABLE** N/A

**WEIGHT** 249g | 0.55lb

**WATTAGE** 8.40W

**FORWARD VOLTAGE** 12V

**DRIVE CURRENT** 700mA

**SUPPLY TYPE** Constant Current

**DRIVER LOCATION** Remote

**DIMMING** DALI | 0-10V | 1-10V

### MOUNTING

**MOUNTING** Recessed

**CEILING THICKNESS** min 5mm (0.20")

**CUTOUT** ø76mm (3.00")

**MIN CEILING VOID** 20mm (0.79") clearance above

### FINISHES

**FINISHES** White RAL9010 | Black RAL9005 | Matt Gold Paint

\*Premium & custom finishes are built & finished to order. These are subject to an extended lead time & MOQ.

### OPTICAL & STANDARDS

**NOMINAL LUMENS** 700lm

**DELIVERED LUMENS** 546lm

**COLOUR TEMPERATURE** 2700K | 3000K

**ACCESSORY HOLDER** Integral

**ACCESSORIES** Louver | Lenses 32mm

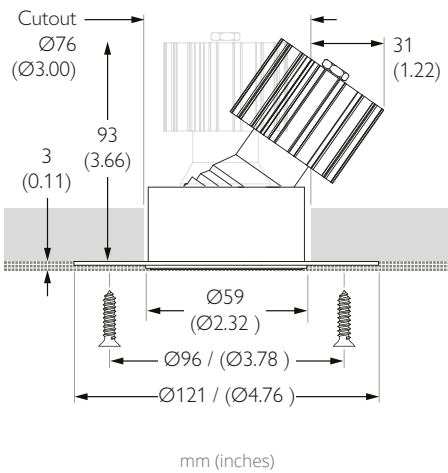
**BEAM ANGLE** 50°

**CRI** 92 TYP

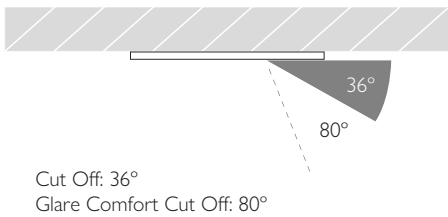
**TM-30** RF: 90 RG: 99

**WARRANTY** 5 Years

**STANDARDS**

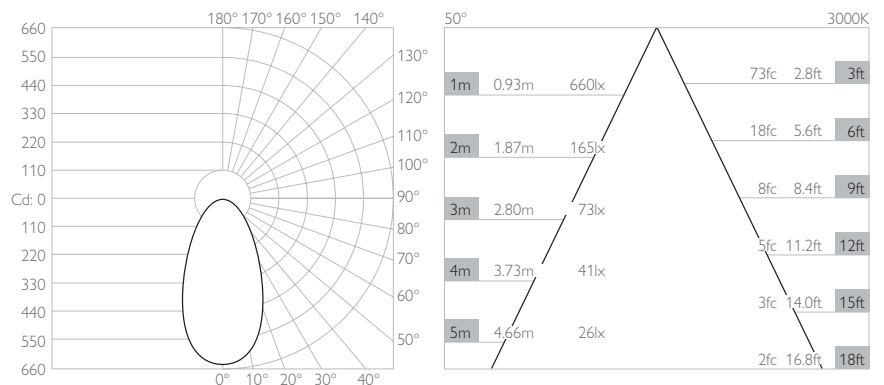


mm (inches)



Cut Off: 36°  
Glare Comfort Cut Off: 80°

Photometry shown is for 3000K module. Please enquire for other CCT photometry. L90 50,000 hours.



### APERTURE FINISH

White 9010	Black 9005	Matt Gold Painted
RCT-635-WH-XX9245	RCT-635-BK-XX9245	RCT-635-SB-XX9245

\*All premium & custom finishes are built & finished to order. These are subject to an extended lead time & MOQ

For 3000K Substitute XX with 30

For 2700K Substitute XX with 27