

# MINIMO 16 ADJUSTABLE PINHOLE TRIMLESS

## 11° ULTRA NARROW BEAM



### TECHNICAL DESCRIPTION

Minimo 16 Adjustable Pinhole Trimless is a Constant Current single source LED downlight that is machined from aerospace grade aluminium 6063-T6 and comes as standard in white and black. It has five site-changeable optics for flexible beam distribution and is fully adjustable with 360° pan and 35° tilt without breaking the ceiling line. The ultra narrow beam in our 8.40W 700lm module has a peak intensity of 12512cd. The integral accessory holder can accommodate 32mm lenses and louvers.

### MECHANICAL & ELECTRICAL

**CATEGORY** IP20

**MATERIAL** Machined AL 6063-T6

**PAN** 360°

**TILT** 35°

**LOCKABLE** N/A

**WEIGHT** 281g | 0.62lb

**WATTAGE** 8.40W

**FORWARD VOLTAGE** 12V

**DRIVE CURRENT** 700mA

**SUPPLY TYPE** Constant Current

**DRIVER LOCATION** Remote

**DIMMING** DALI | 0-10V | 1-10V | Casambi

### MOUNTING

**MOUNTING** Recessed

**CEILING THICKNESS** min 5mm (0.20")

**CUTOUT** ø76mm (3.00")

**MIN CEILING VOID** 20mm (0.79") clearance above

### FINISHES

**FINISHES** White RAL9010 | Black RAL9005

\*Premium & custom finishes are built & finished to order. These are subject to an extended lead time & MOQ.

### OPTICAL & STANDARDS

**NOMINAL LUMENS** 700lm

**DELIVERED LUMENS** 661lm

**COLOUR TEMPERATURE** 2700K | 3000K

**ACCESSORY HOLDER** Integral

**ACCESSORIES** Louver | Lenses 32mm

**TM65** 14.03kgCO2e

**TM66** 2.2

**BEAM ANGLE** 11°

**CRI** 92 TYP

**TM-30** RF: 90 RG: 99

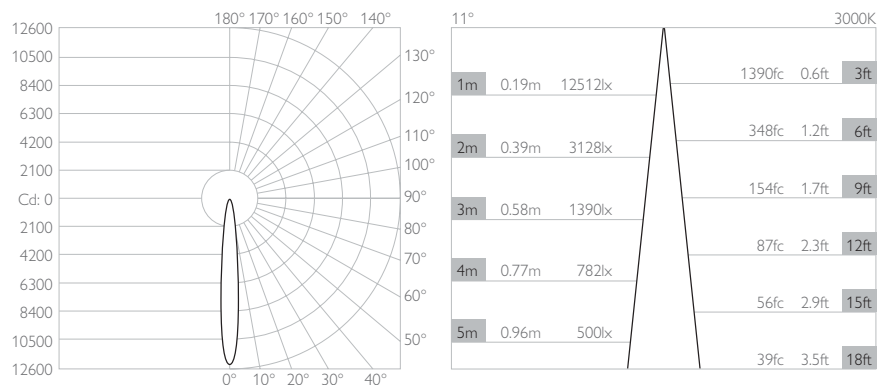
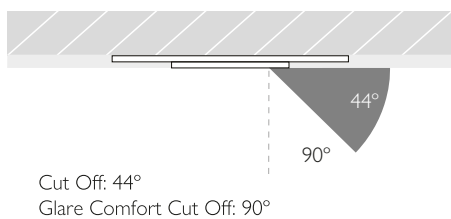
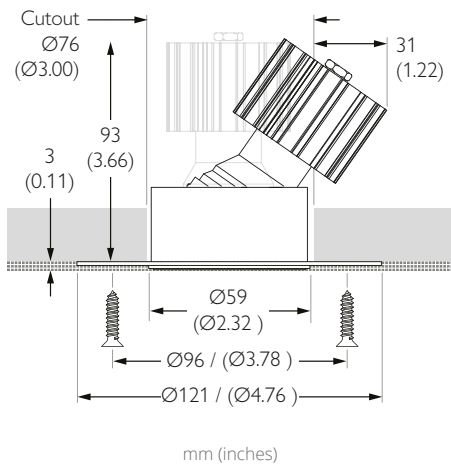
**WARRANTY** 5 Years

**LIFETIME** L90B10 100,000hrs

**STANDARDS**



Photometry shown is for 3000K module. Please enquire for other CCT photometry.



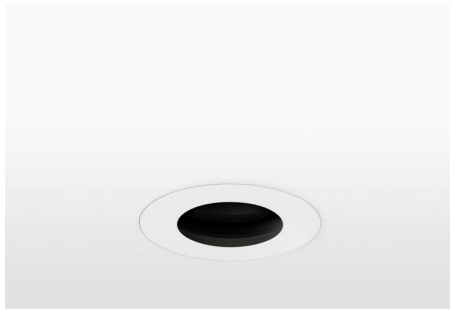
FINISH	LED CCT	BEAM ANGLE
RCT-636		
XW White RAL9010	2792 2700K 92CRI	UN Ultra Narrow
XB Black RAL9005	3092 3000K 92CRI	NA Narrow
	4092 4000K 92CRI	ME Medium
		FL Flood
		WF Wide Flood

Example Code: RCT-636-XW-3092NA

\*Premium & custom finishes are built to order, subject to an extended lead time & MOQ

# MINIMO 16 ADJUSTABLE PINHOLE TRIMLESS

## 14° NARROW BEAM



### TECHNICAL DESCRIPTION

Minimo 16 Adjustable Pinhole Trimless is a Constant Current single source LED downlight that is machined from aerospace grade aluminium 6063-T6 and comes as standard in white and black. It has five site-changeable optics for flexible beam distribution and is fully adjustable with 360° pan and 35° tilt without breaking the ceiling line. The narrow beam in our 8.40W 700lm module has a peak intensity of 8971cd. The integral accessory holder can accommodate 32mm lenses and louvers.

### MECHANICAL & ELECTRICAL

**CATEGORY** IP20

**MATERIAL** Machined AL 6063-T6

**PAN** 360°

**TILT** 35°

**LOCKABLE** N/A

**WEIGHT** 281g | 0.62lb

**WATTAGE** 8.40W

**FORWARD VOLTAGE** 12V

**DRIVE CURRENT** 700mA

**SUPPLY TYPE** Constant Current

**DRIVER LOCATION** Remote

**DIMMING** DALI | 0-10V | 1-10V | Casambi

### MOUNTING

**MOUNTING** Recessed

**CEILING THICKNESS** min 5mm (0.20")

**CUTOUT** ø76mm (3.00")

**MIN CEILING VOID** 20mm (0.79") clearance above

### FINISHES

**FINISHES** White RAL9010 | Black RAL9005

\*Premium & custom finishes are built & finished to order. These are subject to an extended lead time & MOQ.

### OPTICAL & STANDARDS

**NOMINAL LUMENS** 700lm

**DELIVERED LUMENS** 650lm

**COLOUR TEMPERATURE** 2700K | 3000K

**ACCESSORY HOLDER** Integral

**ACCESSORIES** Louver | Lenses 32mm

**TM65** 14.03kgCO2e

**TM66** 2.2

**BEAM ANGLE** 14°

**CRI** 92 TYP

**TM-30** RF: 90 RG: 99

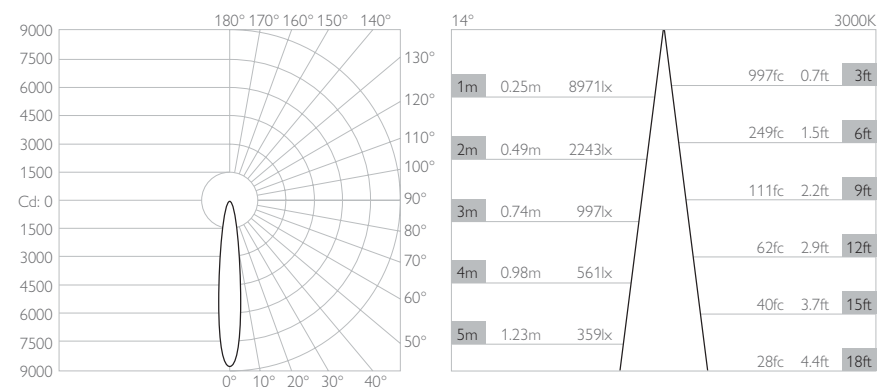
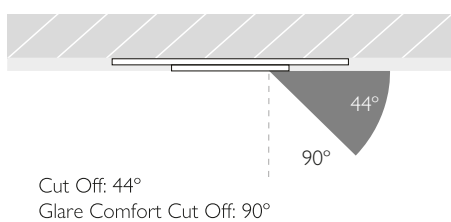
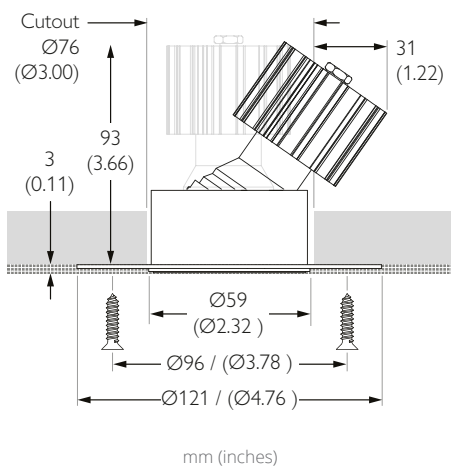
**WARRANTY** 5 Years

**LIFETIME** L90B10 100,000hrs

**STANDARDS**



Photometry shown is for 3000K module. Please enquire for other CCT photometry.



FINISH	LED CCT	BEAM ANGLE
RCT-636		
XW White RAL9010	2792 2700K 92CRI	UN Ultra Narrow
XB Black RAL9005	3092 3000K 92CRI	NA Narrow
	4092 4000K 92CRI	ME Medium
		FL Flood
		WF Wide Flood

Example Code: RCT-636-XW-3092NA

\*Premium & custom finishes are built to order, subject to an extended lead time & MOQ

# MINIMO 16 ADJUSTABLE PINHOLE TRIMLESS

## 18° MEDIUM BEAM



### TECHNICAL DESCRIPTION

Minimo 16 Adjustable Pinhole Trimless is a Constant Current single source LED downlight that is machined from aerospace grade aluminium 6063-T6 and comes as standard in white and black. It has five site-changeable optics for flexible beam distribution and is fully adjustable with 360° pan and 35° tilt without breaking the ceiling line. The medium beam in our 8.40W 700lm module has a peak intensity of 5754cd. The integral accessory holder can accommodate 32mm lenses and louvers.

### MECHANICAL & ELECTRICAL

**CATEGORY** IP20

**MATERIAL** Machined AL 6063-T6

**PAN** 360°

**TILT** 35°

**LOCKABLE** N/A

**WEIGHT** 281g | 0.62lb

**WATTAGE** 8.40W

**FORWARD VOLTAGE** 12V

**DRIVE CURRENT** 700mA

**SUPPLY TYPE** Constant Current

**DRIVER LOCATION** Remote

**DIMMING** DALI | 0-10V | 1-10V | Casambi

### MOUNTING

**MOUNTING** Recessed

**CEILING THICKNESS** min 5mm (0.20")

**CUTOUT** ø76mm (3.00")

**MIN CEILING VOID** 20mm (0.79") clearance above

### FINISHES

**FINISHES** White RAL9010 | Black RAL9005

\*Premium & custom finishes are built & finished to order. These are subject to an extended lead time & MOQ.

### OPTICAL & STANDARDS

**NOMINAL LUMENS** 700lm

**DELIVERED LUMENS** 643lm

**COLOUR TEMPERATURE** 2700K | 3000K

**ACCESSORY HOLDER** Integral

**ACCESSORIES** Louver | Lenses 32mm

**TM65** 14.03kgCO2e

**TM66** 2.2

**BEAM ANGLE** 18°

**CRI** 92 TYP

**TM-30** RF: 90 RG: 99

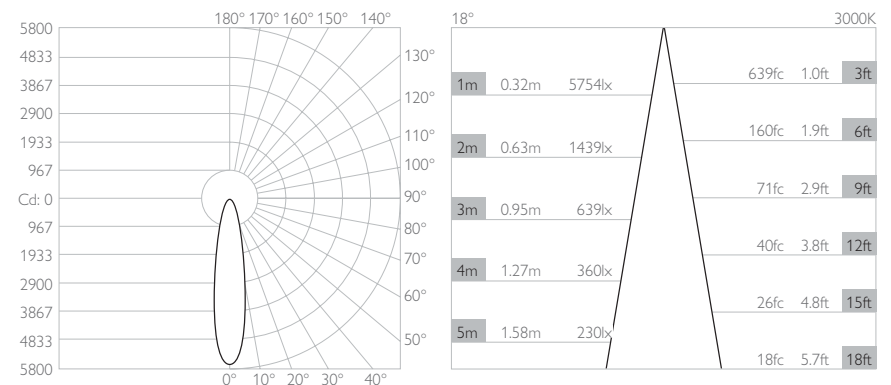
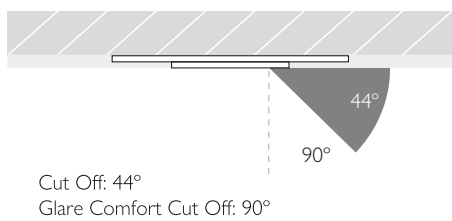
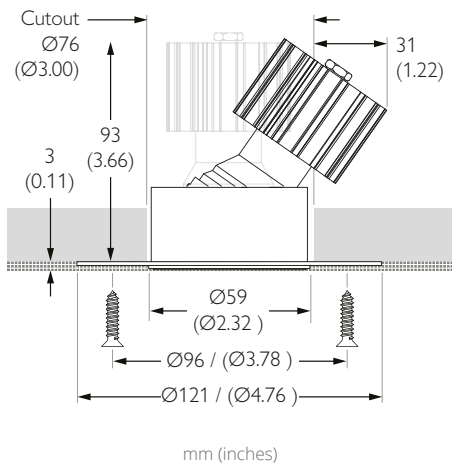
**WARRANTY** 5 Years

**LIFETIME** L90B10 100,000hrs

**STANDARDS**



Photometry shown is for 3000K module. Please enquire for other CCT photometry.



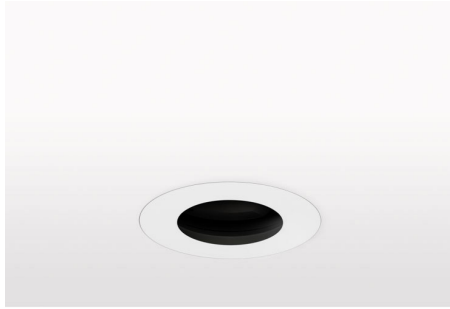
FINISH	LED CCT	BEAM ANGLE
RCT-636	2792 2700K 92CRI 3092 3000K 92CRI 4092 4000K 92CRI	UN Ultra Narrow NA Narrow ME Medium FL Flood WF Wide Flood
XW White RAL9010		
XB Black RAL9005		

Example Code: RCT-636-XW-3092NA

\*Premium & custom finishes are built to order, subject to an extended lead time & MOQ

# MINIMO 16 ADJUSTABLE PINHOLE TRIMLESS

## 30° FLOOD BEAM



### TECHNICAL DESCRIPTION

Minimo 16 Adjustable Pinhole Trimless is a Constant Current single source LED downlight that is machined from aerospace grade aluminium 6063-T6 and comes as standard in white and black. It has five site-changeable optics for flexible beam distribution and is fully adjustable with 360° pan and 35° tilt without breaking the ceiling line. The flood beam in our 8.40W 700lm module has a peak intensity of 1813cd. The integral accessory holder can accommodate 32mm lenses and louvers.

### MECHANICAL & ELECTRICAL

**CATEGORY** IP20

**MATERIAL** Machined AL 6063-T6

**PAN** 360°

**TILT** 35°

**LOCKABLE** N/A

**WEIGHT** 281g | 0.62lb

**WATTAGE** 8.40W

**FORWARD VOLTAGE** 12V

**DRIVE CURRENT** 700mA

**SUPPLY TYPE** Constant Current

**DRIVER LOCATION** Remote

**DIMMING** DALI | 0-10V | 1-10V | Casambi

### MOUNTING

**MOUNTING** Recessed

**CEILING THICKNESS** min 5mm (0.20")

**CUTOUT** ø76mm (3.00")

**MIN CEILING VOID** 20mm (0.79") clearance above

### FINISHES

**FINISHES** White RAL9010 | Black RAL9005

\*Premium & custom finishes are built & finished to order. These are subject to an extended lead time & MOQ.

### OPTICAL & STANDARDS

**NOMINAL LUMENS** 700lm

**DELIVERED LUMENS** 555lm

**COLOUR TEMPERATURE** 2700K | 3000K

**ACCESSORY HOLDER** Integral

**ACCESSORIES** Louver | Lenses 32mm

**TM65** 14.03kgCO2e

**TM66** 2.2

**BEAM ANGLE** 30°

**CRI** 92 TYP

**TM-30** RF: 90 RG: 99

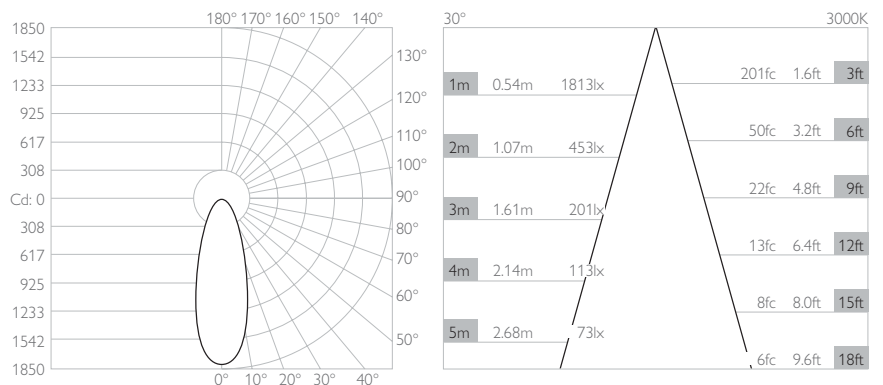
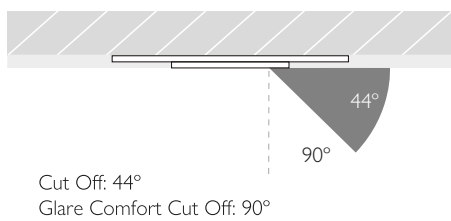
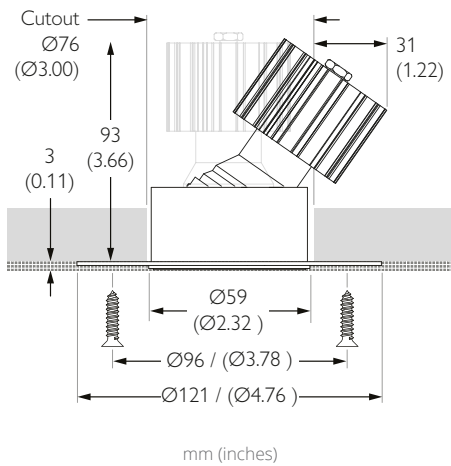
**WARRANTY** 5 Years

**LIFETIME** L90B10 100,000hrs

**STANDARDS**



Photometry shown is for 3000K module. Please enquire for other CCT photometry.



### FINISH

### LED CCT

### BEAM ANGLE

RCT-636

XW White RAL9010

XB Black RAL9005

2792 2700K 92CRI

3092 3000K 92CRI

4092 4000K 92CRI

UN Ultra Narrow

NA Narrow

ME Medium

FL Flood

WF Wide Flood

Example Code: RCT-636-XW-3092NA

\*Premium & custom finishes are built to order, subject to an extended lead time & MOQ

# MINIMO 16 ADJUSTABLE PINHOLE TRIMLESS

## 50° WIDE FLOOD BEAM



### TECHNICAL DESCRIPTION

Minimo 16 Adjustable Pinhole Trimless is a Constant Current single source LED downlight that is machined from aerospace grade aluminium 6063-T6 and comes as standard in white and black. It has five site-changeable optics for flexible beam distribution and is fully adjustable with 360° pan and 35° tilt without breaking the ceiling line. The wide flood beam in our 8.40W 700lm module has a peak intensity of 660cd. The integral accessory holder can accommodate 32mm lenses and louvers.

### MECHANICAL & ELECTRICAL

**CATEGORY** IP20

**MATERIAL** Machined AL 6063-T6

**PAN** 360°

**TILT** 35°

**LOCKABLE** N/A

**WEIGHT** 281g | 0.62lb

**WATTAGE** 8.40W

**FORWARD VOLTAGE** 12V

**DRIVE CURRENT** 700mA

**SUPPLY TYPE** Constant Current

**DRIVER LOCATION** Remote

**DIMMING** DALI | 0-10V | 1-10V | Casambi

### MOUNTING

**MOUNTING** Recessed

**CEILING THICKNESS** min 5mm (0.20")

**CUTOUT** ø76mm (3.00")

**MIN CEILING VOID** 20mm (0.79") clearance above

### FINISHES

**FINISHES** White RAL9010 | Black RAL9005

\*Premium & custom finishes are built & finished to order. These are subject to an extended lead time & MOQ.

### OPTICAL & STANDARDS

**NOMINAL LUMENS** 700lm

**DELIVERED LUMENS** 546lm

**COLOUR TEMPERATURE** 2700K | 3000K

**ACCESSORY HOLDER** Integral

**ACCESSORIES** Louver | Lenses 32mm

**TM65** 14.03kgCO2e

**TM66** 2.2

**BEAM ANGLE** 50°

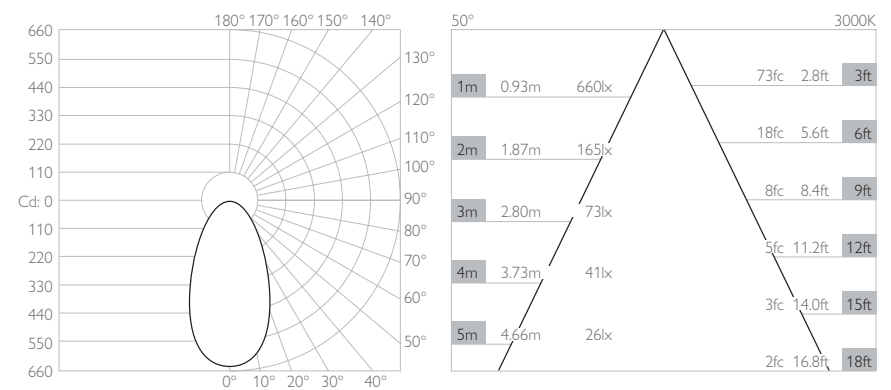
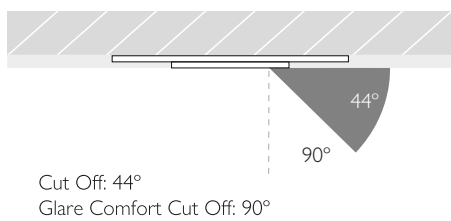
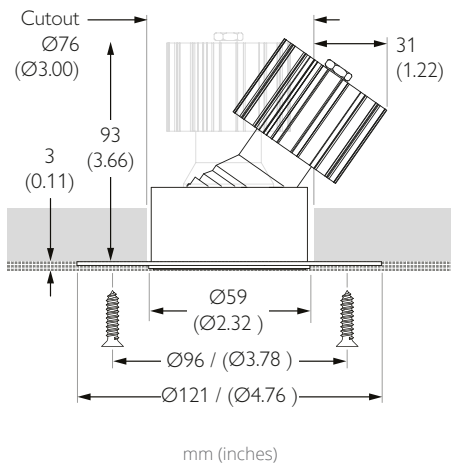
**CRI** 92 TYP

**TM-30** RF: 90 RG: 99

**WARRANTY** 5 Years

**LIFETIME** L90B10 100,000hrs

**STANDARDS**



### FINISH

### LED CCT

### BEAM ANGLE

RCT-636

XW White RAL9010

XB Black RAL9005

2792 2700K 92CRI

3092 3000K 92CRI

4092 4000K 92CRI

UN Ultra Narrow

NA Narrow

ME Medium

FL Flood

WF Wide Flood

Example Code: RCT-636-XW-3092NA

\*Premium & custom finishes are built to order, subject to an extended lead time & MOQ